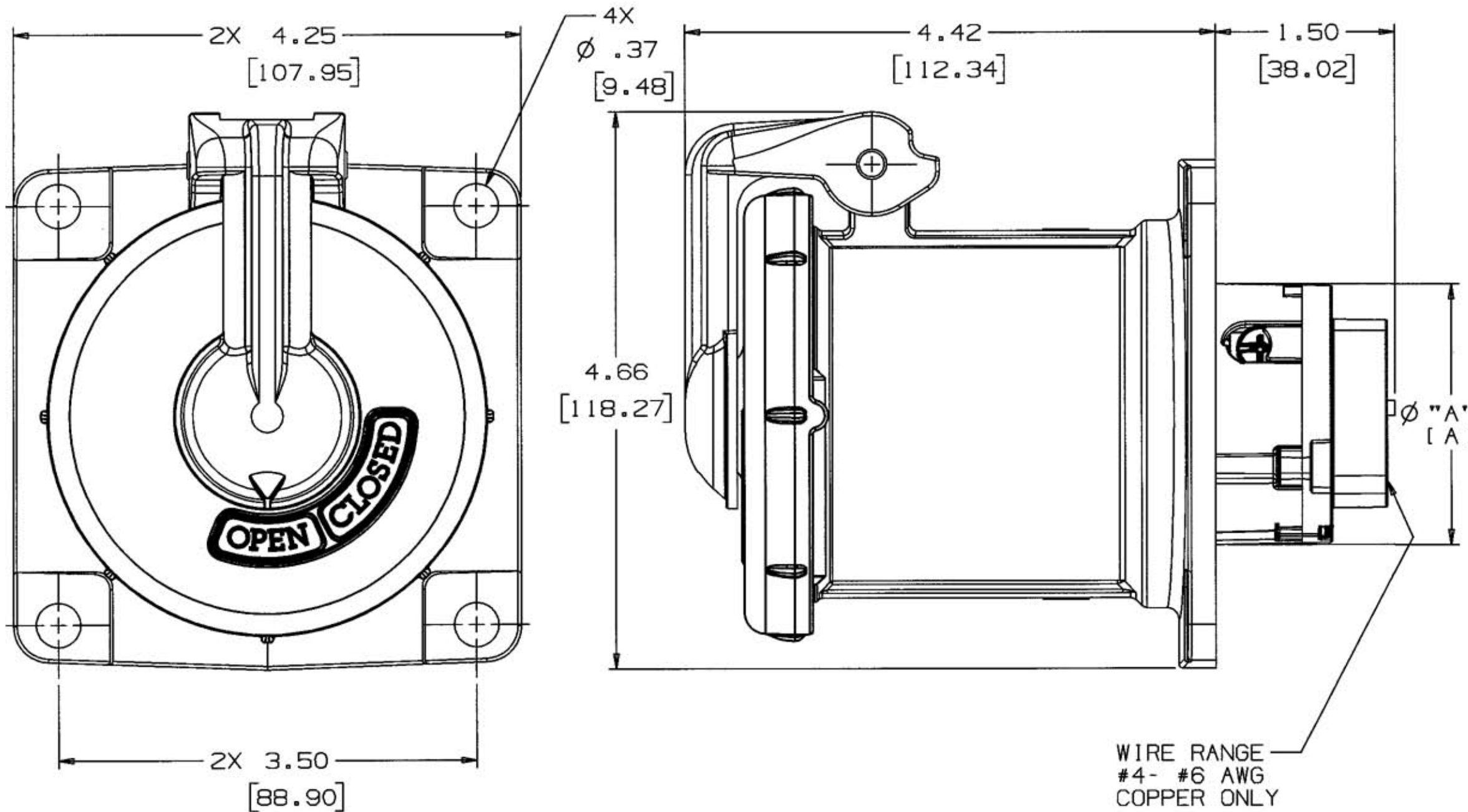


**M-8265** 2



NOTES: (UNLESS OTHERWISE SPECIFIED)

1) DIMENSION FORMAT IS: INCHES  
[ mm ]

| AMPS | POLES AND WIRES | MAX VOLTAGE AC/DC | STYLE | ∅ "A" [ A ]     | CONNECTOR CATALOG NUMBER |
|------|-----------------|-------------------|-------|-----------------|--------------------------|
| 60   | 2P3W            | 600/250           | S1    | 2.195 [ 55.75 ] | HBL360RS1WR              |
| 60   | 3P4W            | 600/250           | S1    | 2.50 [ 63.5 ]   | HBL460RS1WR              |
| 60   | 2P3W            | 600/250           | S2    | 2.195 [ 55.75 ] | HBL360RS2WR              |
| 60   | 4P5W            | 600/250           | S1    | 2.50 [ 63.5 ]   | HBL560RS1WR              |
| 60   | 3P4W            | 600/250           | S2    | 2.50 [ 63.5 ]   | HBL460RS2WR              |

LIST OF PARTS

| DESCRIPTION     | MATERIAL            | FINISH        |
|-----------------|---------------------|---------------|
| BOX TERMINAL    | STEEL               | NICKEL PLATE  |
| GROUND STANDOFF | BRASS               |               |
| HINGE BUSHING   | ALUMINUM            |               |
| SPRING GUIDE    | STAIN STEEL         |               |
| LID SPRING      | STAIN STEEL         |               |
| LID             | ALUMINUM            | GRAY EPOXY    |
| LID LIFTER      | ALUMINUM            | GRAY EPOXY    |
| O-RING          | RUBBER              |               |
| LID GASKET      | RUBBER              |               |
| CLAMP NUT       | BRASS               | NICKEL PLATE  |
| GLAND           | RUBBER              |               |
| SPRING WASHER   | STAIN STEEL         |               |
| WAVE SPRING     | STAIN STEEL         |               |
| RIVET           | ALUMINUM            |               |
| RECEPTACLE      | ALUMINUM            | GRAY EPOXY    |
| SCREWS          | STAIN STEEL         |               |
| SLEEVES         | BRASS               |               |
| INTERIOR        | THERMOSET POLYESTER |               |
| PIN SPRING      | COPPER ALLOY        | SILVER COATED |

|     |  |     |         |
|-----|--|-----|---------|
| 2   | ADDED TABLE, "SEE TABLE", NOTE 1, ∅ "A" [ A ], AND "2X" TO 4.25 [ 107.95 ] & 3.50 [ 88.90 ]; DRAWING TITLE WAS "60A PIN & SLEEVE REVERSE RECP. ASSEMBLY STYLES 1 & 2"; REMOVED "MM" FROM DIMENSIONS; ADDED "AWG COPPER ONLY" TO "WIRE RANGE #4 - #6"; PER DCN #8695. JMN | TCM | 1/24/02 |
| 1   | NEW RELEASE PER DCN 7013<br>RTK  | RDK | 8/23/99 |
| SYM | REVISIONS  | APP | DATE    |

THE DESIGN AND DIMENSIONS OF THE PRODUCT SHOWN ON THIS DRAWING ARE SUBJECT TO CHANGE WITHOUT NOTICE

TITLE  
60A INSULGRIP PIN & SLEEVE REVERSE SERVICE RECEPTACLE STYLE 1 & 2

|                                       |   |              |
|---------------------------------------|---|--------------|
| TOLERANCES UNLESS OTHERWISE SPECIFIED | WIRING DEVICE-KELLEMS HUBBELL INCORPORATED BRIDGEPORT, CT |              |
| FRACTIONS ±1/64                       | DR. BY RTK  | APP. BY RDK  |
| 3DECIMALS ±.005                       | TR. BY  | SCALE N/A    |
| ANGLES ±2°                            | CHK'D BY RDK  | DATE 8/23/99 |
| 2DECIMALS ±.01                        |   |              |

DIMENSION SHEET FOR CAT. NO. SEE TABLE

REPAIRABLE  NON-REPAIRABLE

B

M-8265

N