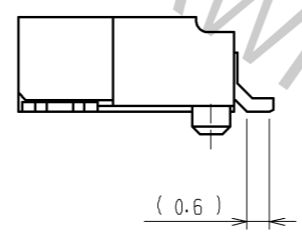
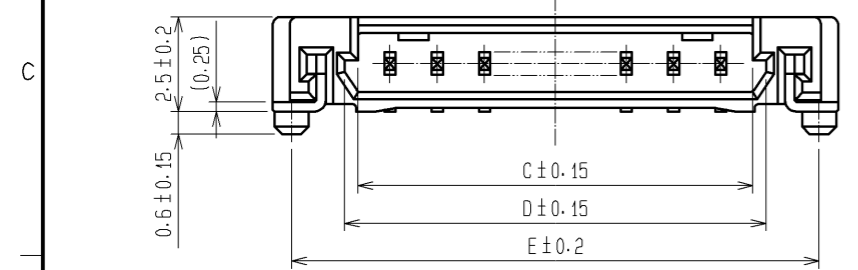
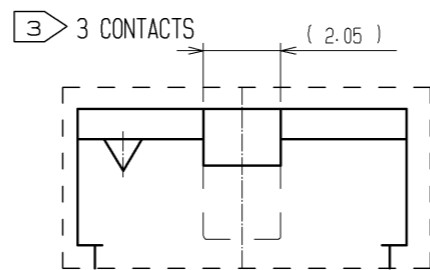
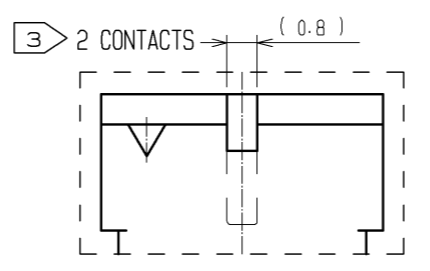
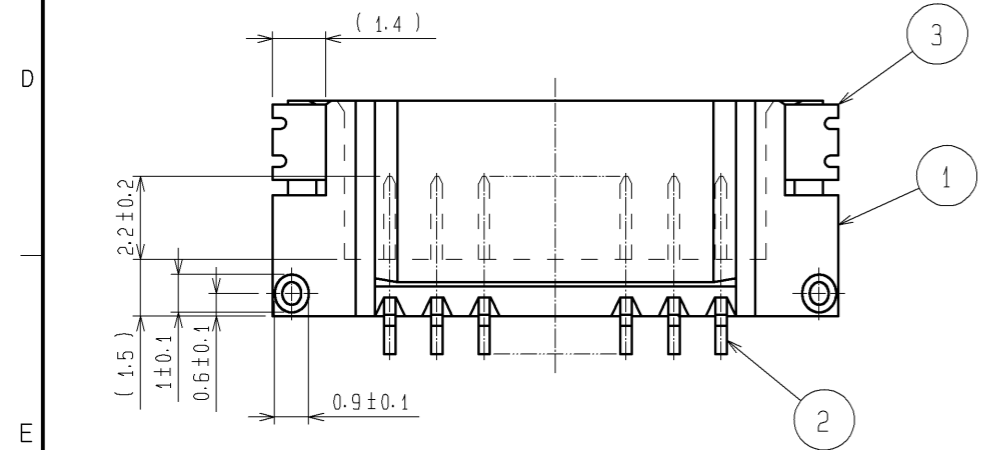
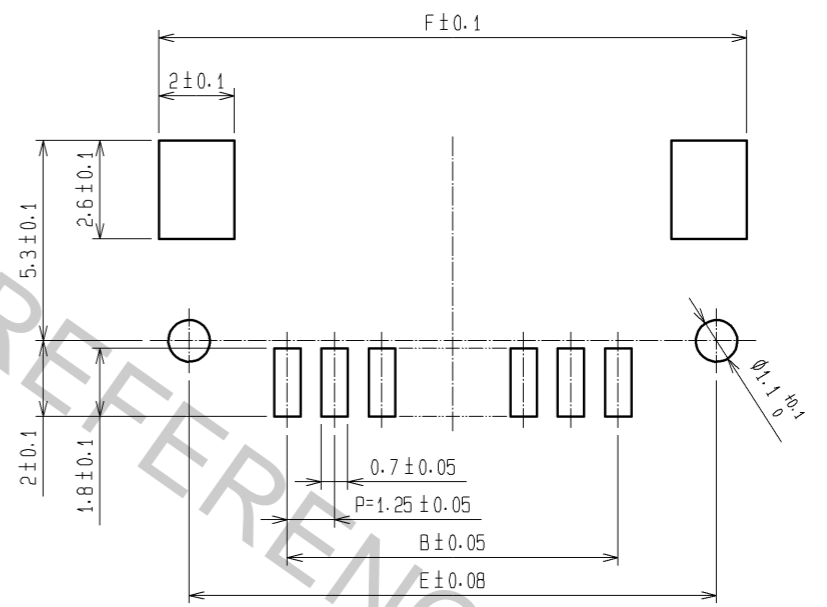


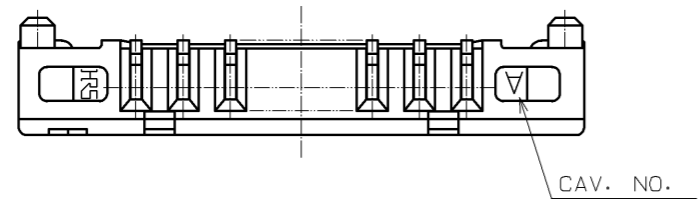
| PART NO.            | HRS NO.         | CONTACTS | A     | B     | C     | D     | E     | F     |
|---------------------|-----------------|----------|-------|-------|-------|-------|-------|-------|
| DF 14- 2P-1.25H(25) | CL538-0021-4-25 | 2        | 7.45  | 1.25  | 2.95  | 3.65  | 6.45  | 8.05  |
| DF 14- 3P-1.25H(25) | CL538-0022-7-25 | 3        | 8.70  | 2.50  | 4.20  | 4.90  | 7.70  | 9.30  |
| DF 14- 4P-1.25H(25) | CL538-0023-0-25 | 4        | 9.95  | 3.75  | 5.45  | 6.15  | 8.95  | 10.55 |
| DF 14- 5P-1.25H(25) | CL538-0024-2-25 | 5        | 11.20 | 5.00  | 6.70  | 7.40  | 10.20 | 11.80 |
| DF 14- 6P-1.25H(25) | CL538-0025-5-25 | 6        | 12.45 | 6.25  | 7.95  | 8.65  | 11.45 | 13.05 |
| DF 14- 7P-1.25H(25) | CL538-0026-8-25 | 7        | 13.70 | 7.50  | 9.20  | 9.90  | 12.70 | 14.30 |
| DF 14- 8P-1.25H(25) | CL538-0027-0-25 | 8        | 14.95 | 8.75  | 10.45 | 11.15 | 13.95 | 15.55 |
| DF 14- 9P-1.25H(25) | CL538-0028-3-25 | 9        | 16.20 | 10.00 | 11.70 | 12.40 | 15.20 | 16.80 |
| DF 14-10P-1.25H(25) | CL538-0029-6-25 | 10       | 17.45 | 11.25 | 12.95 | 13.65 | 16.45 | 18.05 |
| DF 14-15P-1.25H(25) | CL538-0084-4-25 | 15       | 23.70 | 17.50 | 19.20 | 19.90 | 22.70 | 24.30 |
| DF 14-20P-1.25H(25) | CL538-0089-8-25 | 20       | 29.95 | 23.75 | 25.45 | 26.15 | 28.95 | 30.55 |
| DF 14-25P-1.25H(25) | CL538-0094-8-25 | 25       | 36.20 | 30.00 | 31.70 | 32.40 | 35.20 | 36.80 |
| DF 14-30P-1.25H(25) | CL538-0020-1-25 | 30       | 42.45 | 36.25 | 37.95 | 38.65 | 41.45 | 43.05 |



RECOMMENDED PATTERN



NOTE 1. LEAD CO-PLANALITY INCLUDE REINFORCED METAL FITTING SHALL BE 0.1 MAX.  
 2 WHEN THIS CONNECTOR MATES WITH DF14-\*S-1.25C, THE MATING LENGTH IS 7.3mm.  
 3 FOR CONNECTORS, 2 OR 3 CONTACTS, SIMPLIFIED LOCK HOLE SHALL BE SET AT THE CENTER OF HOUSING.



| NO. | MATERIAL        | FINISH .                  | REMARKS                               | NO. | MATERIAL            | FINISH . | REMARKS                  |
|-----|-----------------|---------------------------|---------------------------------------|-----|---------------------|----------|--------------------------|
| 3   | PHOSPHOR BRONZE | TIN-COPPER PLATED 1#m min | UNDER PLATING:NICKEL PLATED 0.5#m min | 5   | S. PVC              |          |                          |
| 2   | BRASS           | TIN-COPPER PLATED 1#m min | UNDER PLATING:NICKEL PLATED 0.5#m min | 4   | RIGID VINYLCHLORIDE |          | ELECTROSTATIC PROTECTION |
| 1   | POLYAMIDE       | BEIGE . UL94V-0           |                                       |     |                     |          |                          |

| UNITS | SCALE | COUNT | DESCRIPTION OF REVISIONS | DESIGNED     | CHECKED       | DATE       |
|-------|-------|-------|--------------------------|--------------|---------------|------------|
| mm    | 5 : 1 | 2     | DIS-H-008680             | MI. SAKIMURA | TS. FUKUSHIMA | 14. 04. 11 |

| APPROVED      | DATE       | DRAWING NO.         |
|---------------|------------|---------------------|
| :KJ. KATAYOSE | 05. 01. 05 | EDC3-160307-18      |
| CHECKED       | DATE       | PART NO.            |
| :TY. OMA      | 05. 01. 05 | DF14- *P-1. 25H(25) |
| DESIGNED      | DATE       | CODE NO.            |
| :TS. KUMAZAWA | 05. 01. 05 | CL538-              |
| DRAWN         | DATE       |                     |
| :TS. KUMAZAWA | 05. 01. 05 |                     |

Aug.1.2016 Copyright 2016 HIROSE ELECTRIC CO., LTD. All Rights Reserved.

