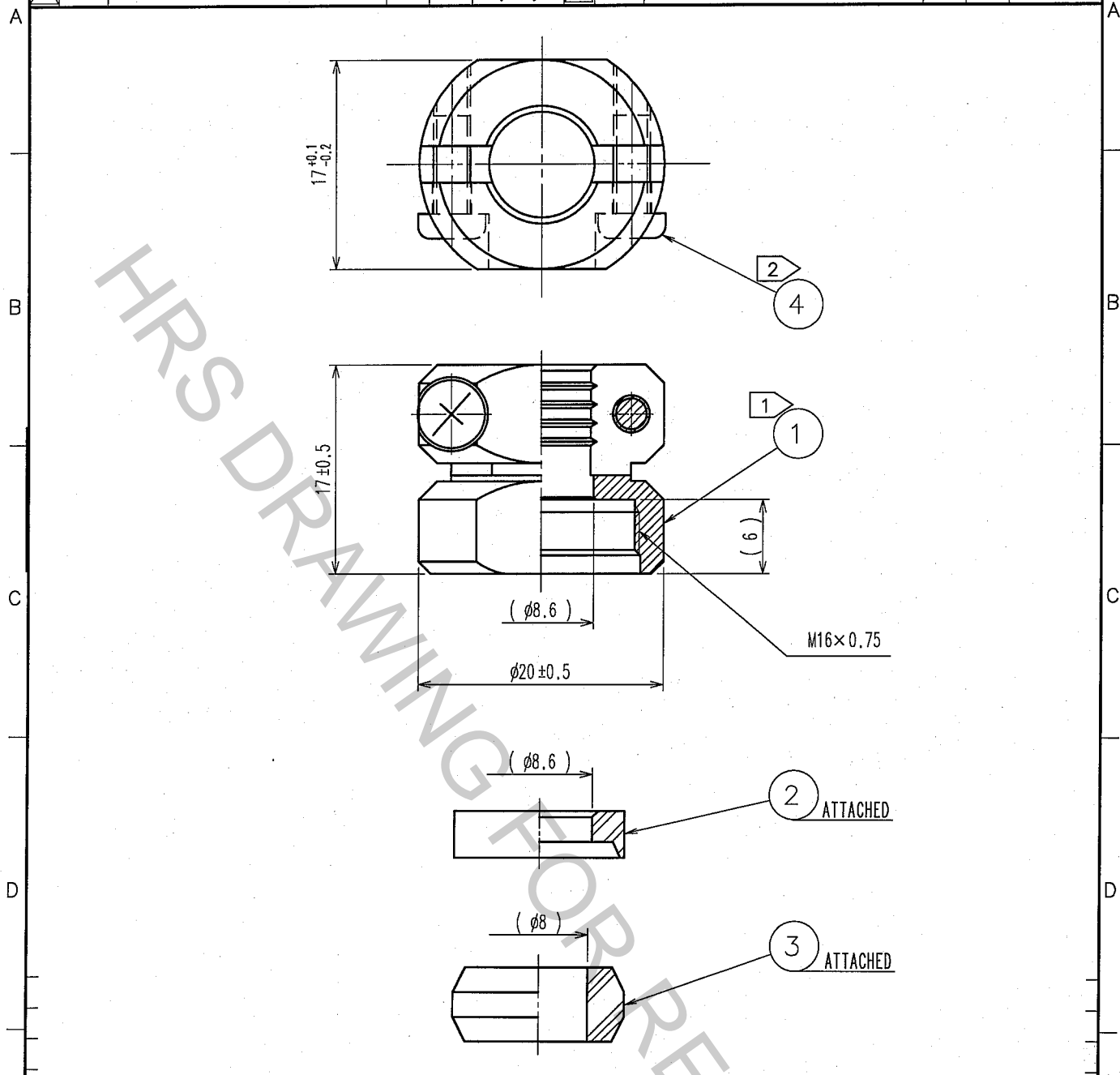


1		2			3			4		
COUNT	DESCRIPTION OF REVISIONS	BY	CHKD	DATE	COUNT	DESCRIPTION OF REVISIONS	BY	CHKD	DATE	
△				..	△				..	
△				..	△				..	
△				..	△				..	



- ① THE RECOMMENDED CLAMP TRQUE OF REF.⊙ TO BE 2 TO 2.5 N · m
 . LOCTITE 271, HENKEL JAPAN OR EQUIVALENT IS RECOMMENDD TO PREVENT
 REF, NO. ⊙ FROM LOOSENING.
- ② THE RECOMMENDED CLAMP TRQUE OF REF.⊕ TO BE 0.65 TO 0.7 N · m

2	PPS	(BLACK) UL94V-0	4	STAINLESS STEEL	M3×0.5×8
1	BRASS	BLACK CHROME PLATING	3	NBR	(GRAY)
NO.	MATERIAL	FINISH, REMARKS	NO.	MATERIAL	FINISH, REMARKS

CODE NO. (OLD)		DRAWN	DESIGNED	CHECKED	APPROVED	RELEASED
		J. Horie	H. Nagano	E. Kuni	M. Sato	
		05.12.20	05.12.20	05.12.20	05.12.21	

 SCALE 2 : 1 UNITS mm	DRAWING NO. EDC4-110598-71	PART NO. JR13WCC-8(71)
	 HIROSE ELECTRIC CO., LTD.	CODE NO. CL114-2049-1-71

TO
R