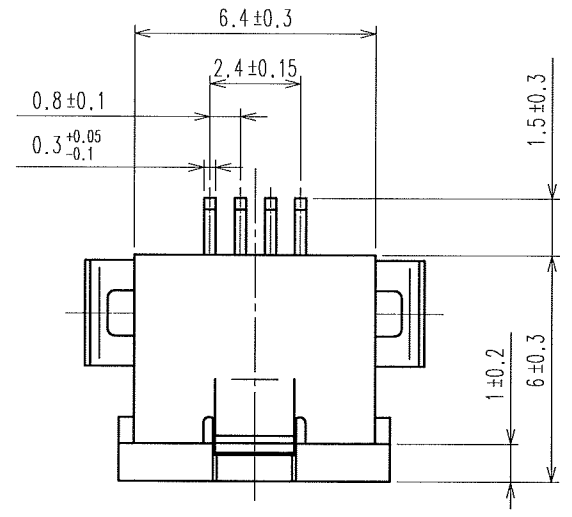
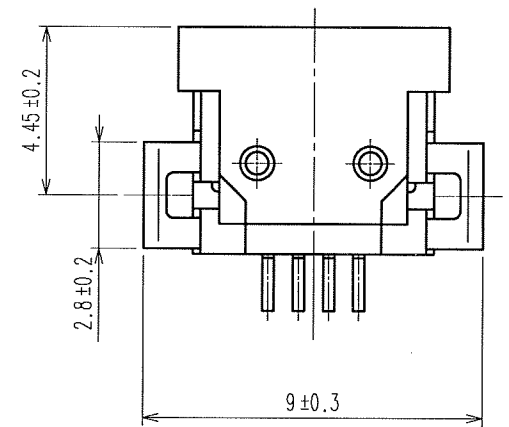
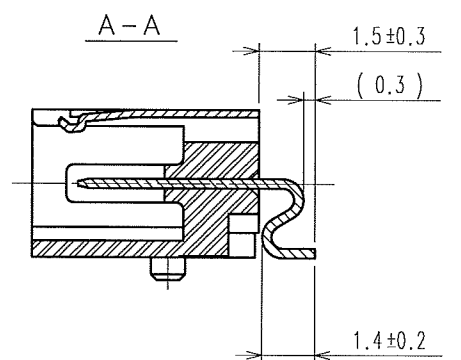
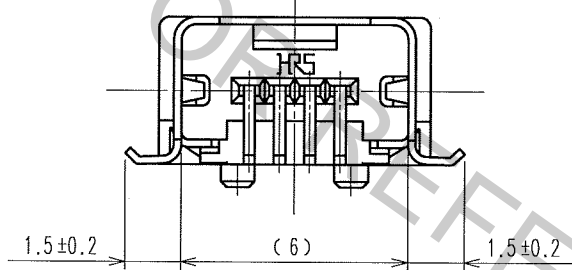
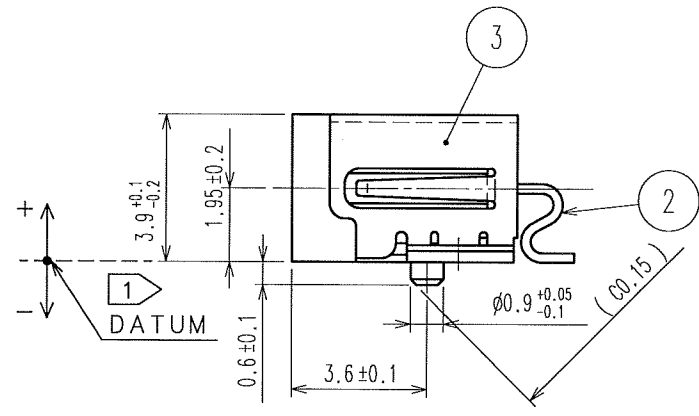
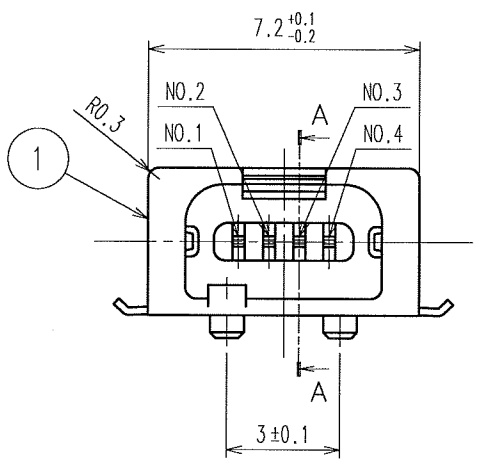
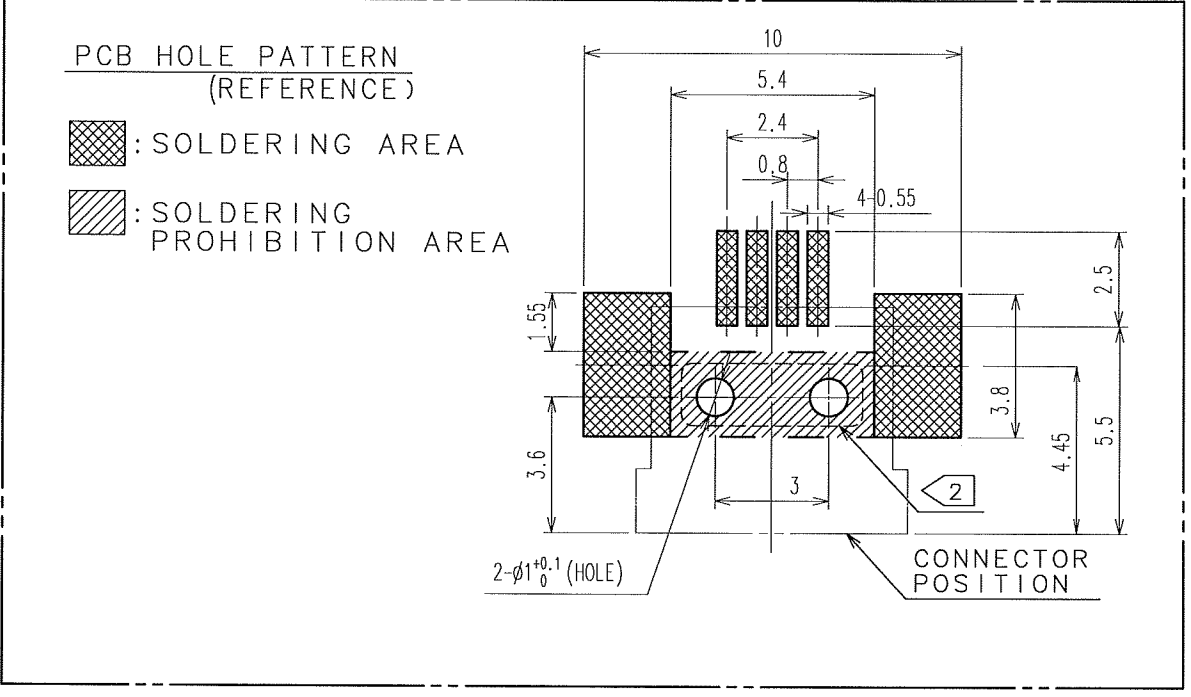
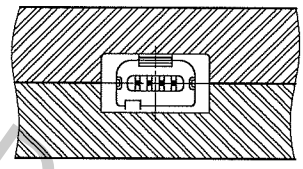


Aug.1.2016 Copyright 2016 HIROSE ELECTRIC CO., LTD. All Rights Reserved.

COUNT	DESCRIPTION OF REVISIONS	BY	CHKD	DATE	COUNT	DESCRIPTION OF REVISIONS	BY	CHKD	DATE
△					△				
△					△				
△					△				



2 FIXED BY EQUIPMENT (REFERENCE)



NOTES

- 1 COPLANARITY (INCLUDING METAL FITTING) SHALL BE 0.15 FROM DATUM.
- 2 FIXING TO PCB OF THIS PRODUCT IS SOLDER TYPE. WE RECOMMEND TO USE ADHESIVE ON PCB SURFACE. PLEASE ALSO FIX THIS PRODUCT BY THE BODY OF EQUIPMENT ITSELF.
- 3. DIRECTIONS FOR USE.
 · PLEASE DO NOT USE FOR THE PURPOSE OF INTERRUPTING THE CURRENT.

3	STAINLESS STEEL	PLATING : GOLD FLASH
2	COPPER ALLOY	CONTACT AREA : PALLADIUM-NICKEL 0.7μm + GOLD 0.2μm min. LEAD AREA : GOLD FLASH UNDER PLATING : NICKEL 1.27μm min.
1	POLYAMIDE	BLACK UL94V-0

NO.	MATERIAL	FINISH, REMARKS	NO.	MATERIAL	FINISH, REMARKS		
CODE NO. (OLD)			DRAWN	DESIGNED	CHECKED	APPROVED	RELEASED
			H. Kobuchi	H. Kobuchi	N. Miyazaki	[Signature]	
			05.12.19	05.12.19	05.12.19	05.12.19	
DRAWING NO. EDC3-120842-03			PART NO. MQ172X-4PA(55)				
SCALE 5 : 1			CODE NO. CL206-2000-6-55				
UNITS mm			HIROSE ELECTRIC CO., LTD.				

TO