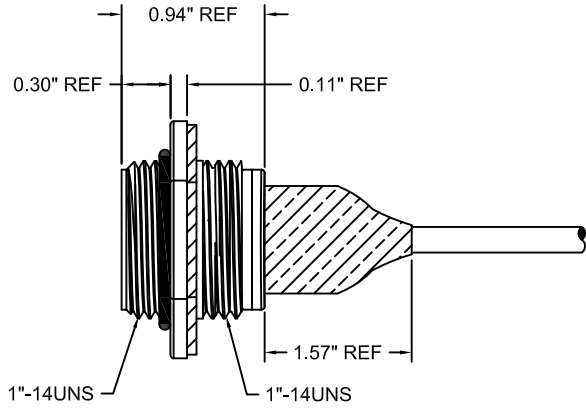
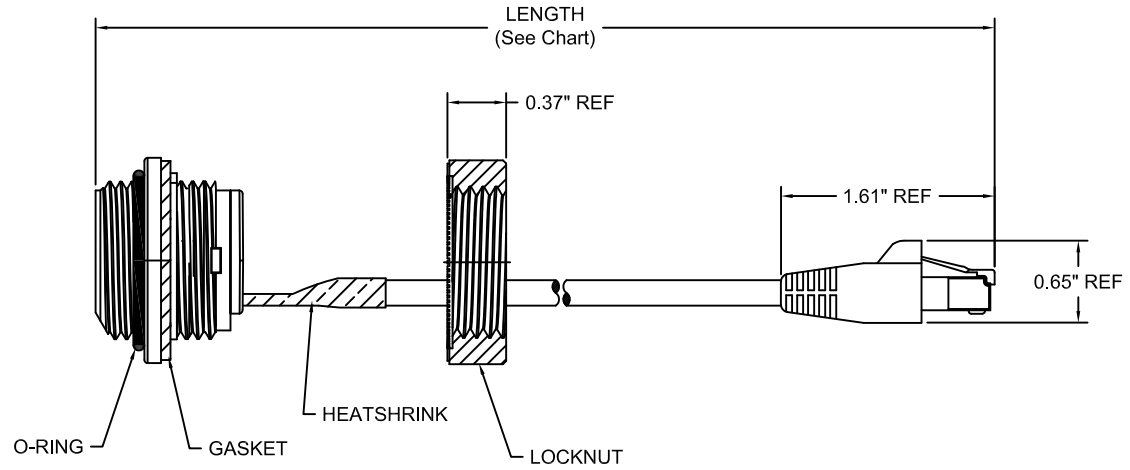
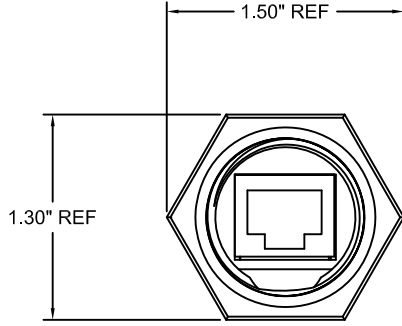


MATERIAL #	ENGINEERING #	LENGTH
1300550013	ENSP3F5C305	305mm (+19.1mm / -0)
1300558003	ENSP3F5C450	450mm (+44.5mm / -0)
1300558005	ENSP3F5C670	670mm (+44.5mm / -0)
1300555002	ENSP3F5M010	1.0M (+55.6mm / -0)

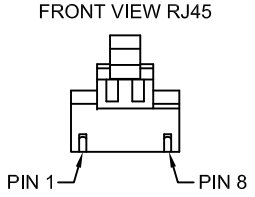
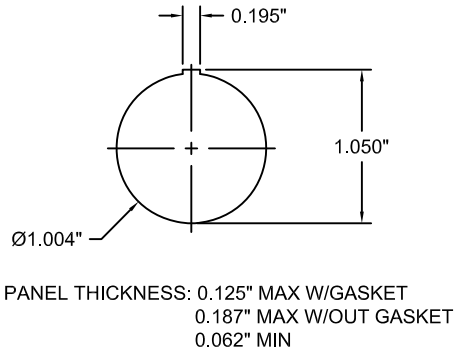


WIRING (568B)	
PIN #	COLOR
1	WHITE/ORANGE
2	ORANGE
3	WHITE/GREEN
4	BLUE
5	WHITE/BLUE
6	GREEN
7	WHITE/BROWN
8	BROWN
GND	DRAIN WIRE



**SPECS:**  
HOUSING: ABS - BLACK  
LOCKNUT: ABS - BLACK  
GASKET: NITRILE - BLACK  
O-RING: VITON - BROWN  
RJ45 PLUG: POLYCARBONATE - CLEAR  
RJ45 BOOT: POLYOLEFIN - BLACK  
CABLE: 24AWG SOLID CONDUCTORS  
4 TWISTED PAIRS  
FOIL SHIELD W/ DRAIN WIRE  
BLACK PUR JACKET  
TIA/EIA RATING: CAT5E  
ELECTRICAL: 125V DC, 1.5A  
TEMPERATURE: -20°C to 80°C  
PROTECTION: IP67

**PANEL KNOCKOUT**



REFERENCE  
USE ONLY

DESCRIPTION REV	GENERAL TOLERANCES (UNLESS SPECIFIED)		DIMENSION STYLE	SCALE	DESIGN UNITS	THIRD ANGLE PROJECTION
		mm    INCH	DRAWN BY    DATE	<b>BRAD CONNECTIVITY</b> <b>INDUSTRIAL ETHERNET RJ-LNxx</b> <b>PANEL RECEPTACLE / MALE RJ45</b>		
	4 PLACES		RB    09/16/2010			
	3 PLACES		CHECKED BY    DATE	<b>MOLEX INCORPORATED</b>		
2 PLACES		APPROVED BY    DATE				
1 PLACE			MATERIAL NO.	DOCUMENT	SHEET NO.	
DRAFT WHERE APPLICABLE MUST REMAIN WITHIN DIMENSIONS			SEE CHART	ENSP3F5XXXX	1 OF 1	
			SIZE <b>C</b>	THIS DRAWING CONTAINS INFORMATION THAT IS PROPRIETARY TO MOLEX INCORPORATED AND SHOULD NOT BE USED WITHOUT WRITTEN PERMISSION		