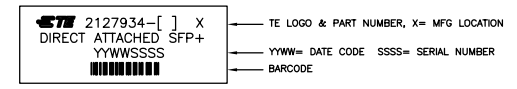
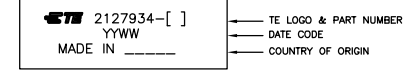


1. CHARACTERISTIC IMPEDANCE: 100±10 OHMS (MEASURED DIFFERENTIALLY).

2. LABEL INFORMATION:



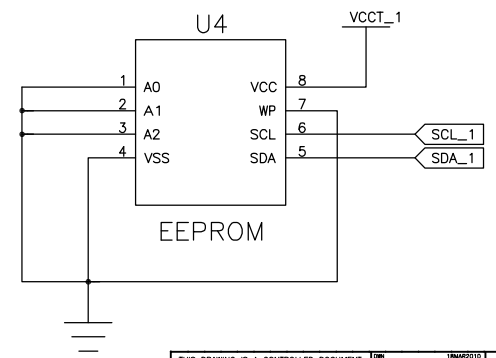
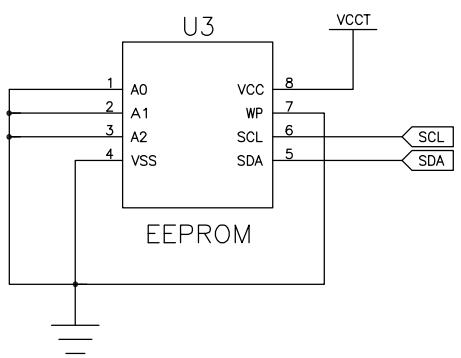
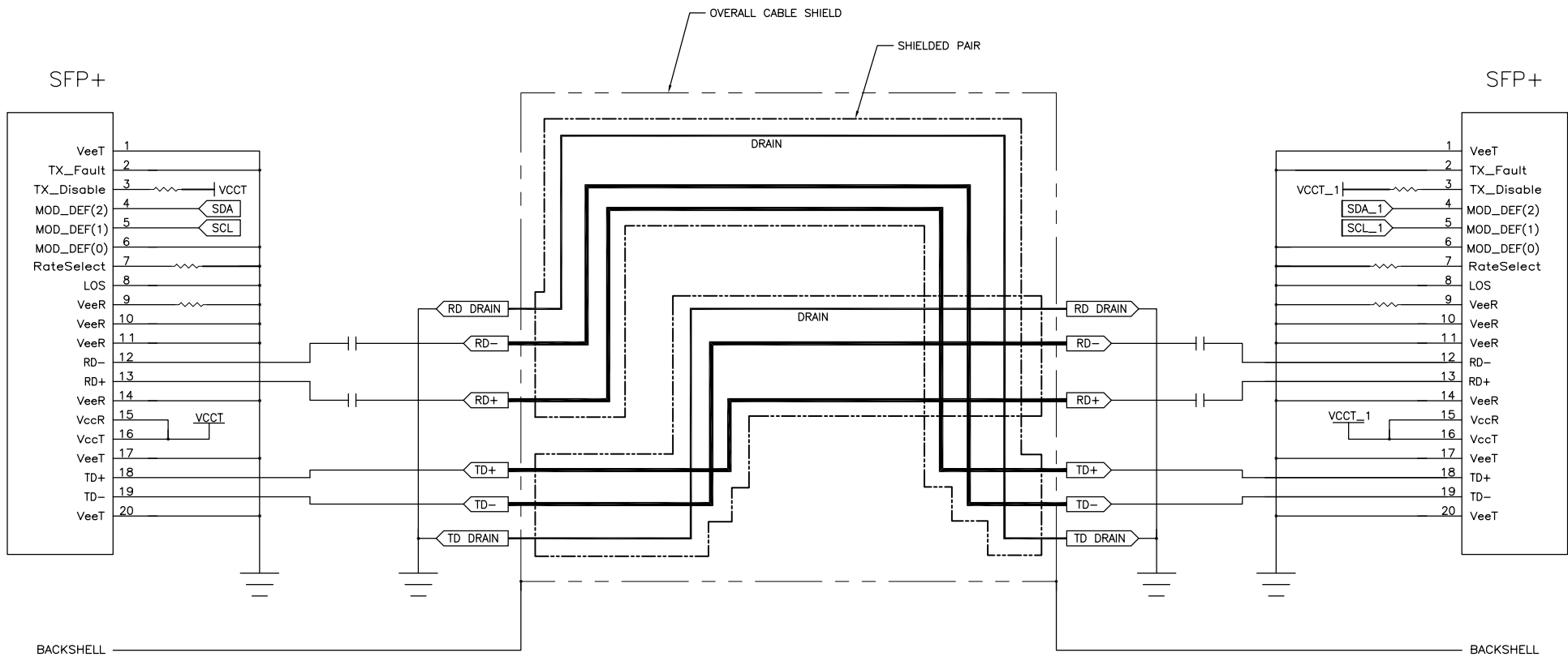
3. LABEL INFORMATION:



- 4. SEE SHEET 2 FOR WIRING SCHEMATIC.
- 5. ROHS COMPLIANCE: PRODUCT AND PROCESSING MEETS REQUIREMENTS OF TE SPECIFICATION TEC-138-702.
- 6. NO LABEL REQUIRED ON CABLE FOR TE PN:1-2127934-8.

7	+0.1 -0	METERS	1-2127934-8
10	+0.12 -0	METERS	1-2127934-1
9	+0.1 -0	METERS	1-2127934-0
8	+0.1 -0	METERS	2127934-9
7	+0.1 -0	METERS	2127934-8
6	+0.1 -0	METERS	2127934-7
5	+0.1 -0	METERS	2127934-6
4	+0.08 -0	METERS	2127934-5
3	+0.08 -0	METERS	2127934-4
2	+0.08 -0	METERS	2127934-3
1	+0.05 -0	METERS	2127934-2
0.5	+0.05 -0	METERS	2127934-1
L			PART NO

THIS DRAWING IS A CONTROLLED DOCUMENT.		DRW: J. SMITH 18M2010	TE Connectivity	
DIMENSIONS: mm		CHK: C. ADAMS 18M2010		
MATERIAL: -		APPROVED: C. ADAMS 18M2010	NAME: CABLE ASSY, 24 AWG, SFP+ TO SFP+ NL_PLATED	
FINISH: -		APPLICATION SPEC: -	SIZE: A1	
WEIGHT: -		SCALE: 1:1	SHEET 1 OF 2	
CUSTOMER DRAWING		DWG NO: 00779	REV D	



THIS DRAWING IS A CONTROLLED DOCUMENT.		DR: J. SMITH 18M2010		TE Connectivity
DRAWN BY: C. ADAMS 18M2010		CHK: C. ADAMS 18M2010		CABLE ASSY, 24 AWG, SFP+ TO SFP+ NL_PLATED
DIMENSIONS: mm		APPROVED: C. ADAMS 18M2010	NAME: PRODUCT SPEC	
0 P.L.C. ±		APPLICATION SPEC		SIZE: A1
1 P.L.C. ±		MATERIAL		CAGE CODE: 00779
2 P.L.C. ±		FINISH		DRAWING NO: 2127934
3 P.L.C. ±		WEIGHT		SHEET 2 OF 2
4 P.L.C. ±		SCALE: 1:1		REV D
MATERIAL		CUSTOMER DRAWING		