

OPTIONS

-T, -C***, OR -A***
PLATING

-G
GRAY CABLE

-ST"X"
STRIPPED & TINNED

-WXX
WIRING REVERSED

-BXX
BREAKOUT

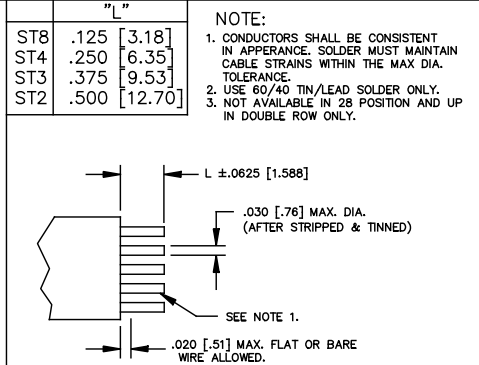
OPTION	CONTACTS
-T	T-1S7-XX-T (XDMX) C-10-T (IDSX)*
-C*	T-1S7-XX-T (XDMX) C-10-G (IDSX)
-A*	T-1S7-XX-G (XDMX) C-10-T (IDSX)

***CAN ONLY BE USED WITH CONNECTOR SPECIFICATION -T

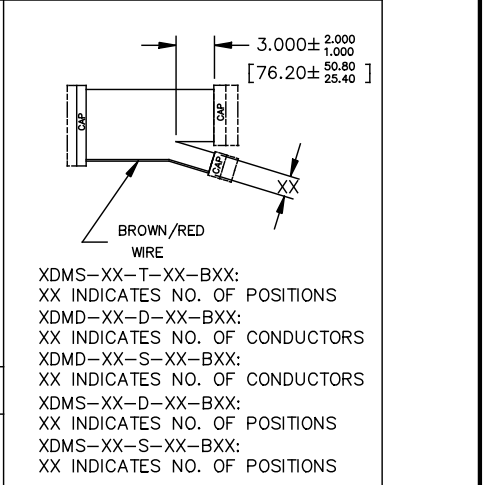
SUBSTITUTE GRAY CABLE FOR STANDARD COLOR CODED CABLE.

XDMD: CB-XX-28-7/36-050-G
XDMS: CB-XX-28-7/36-100-G
(SEE FIG. 1)

NOTE: USE GRAY CABLE FOR DOUBLE ROW, -31 & -32 POSITION.



SAME AS -SXX EXCEPT OUTER STRIP CONNECTED TO CONDUCTOR #2 AND INSIDE STRIP CONNECTED TO CONDUCTOR #1

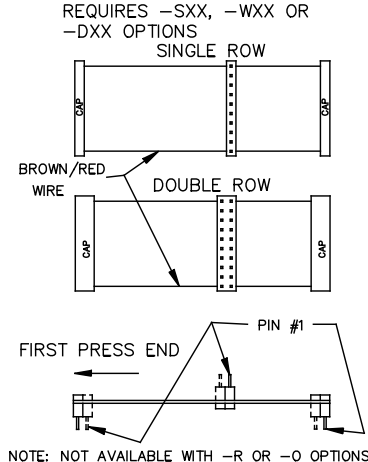
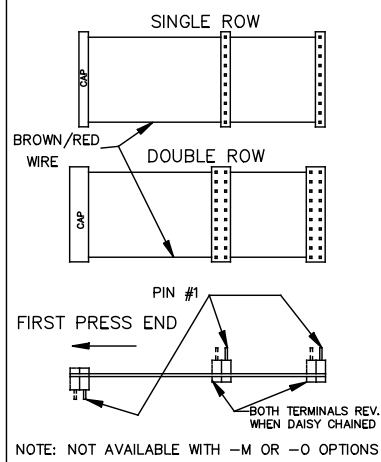
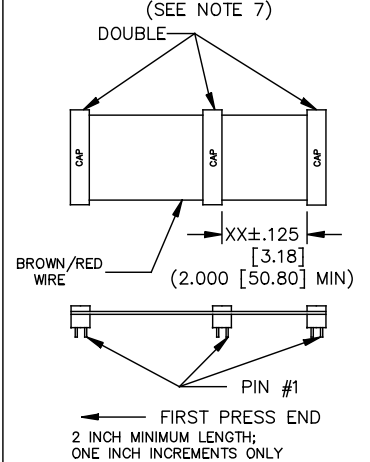
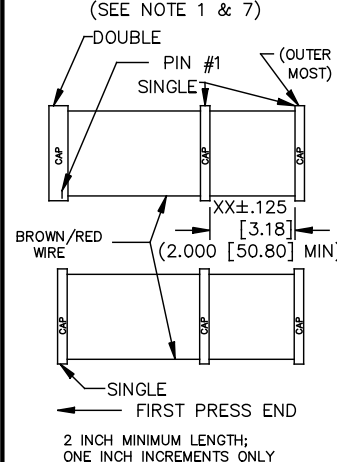


-SXX
DAISY CHAIN-SINGLE

-DXX (IDMS N/A)
DAISY CHAIN-DOUBLE

-R
REVERSED CONNECTOR

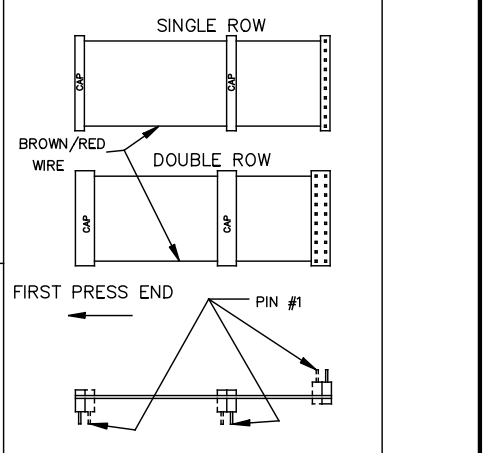
-M
MIDDLE REVERSED



-O
OUTSIDE REVERSED

REQUIRES -SXX, -WXX OR -DXX OPTIONS

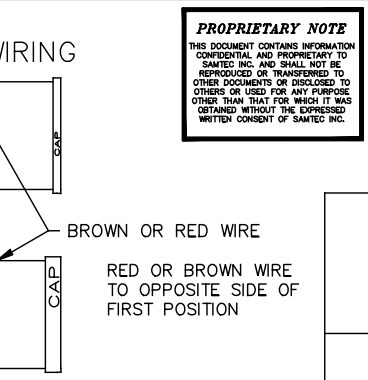
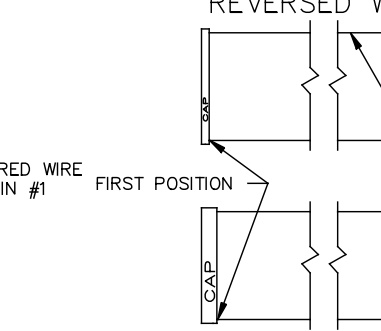
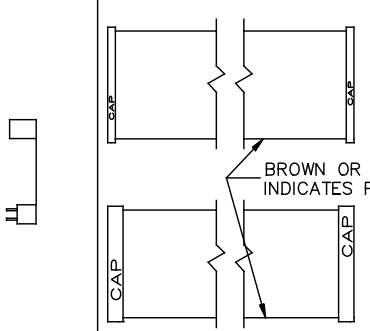
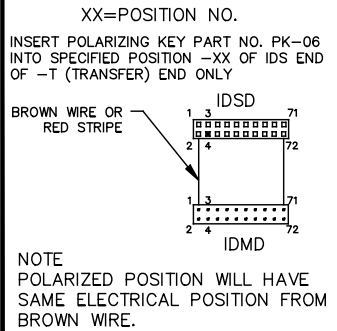
NOTE: NOT AVAILABLE WITH -R OR -M OPTIONS



-PXX
POLARIZED MATING (SEE NOTE #6)

STANDARD WIRING

-RW
REVERSED WIRING



PROPRIETARY NOTE
THIS DOCUMENT CONTAINS INFORMATION CONFIDENTIAL AND PROPRIETARY TO SAMTEC INC. AND SHALL NOT BE REPRODUCED OR TRANSMITTED TO OTHER DOCUMENTS OR DISCLOSED TO OTHERS OR USED FOR ANY PURPOSE OTHER THAN THAT FOR WHICH IT WAS OBTAINED WITHOUT THE EXPRESSED WRITTEN CONSENT OF SAMTEC INC.



520 PARK EAST BLVD. NEW ALBANY, INDIANA 47150
PHONE (812) 944-6733 P.O. BOX 1147
CODE 55322