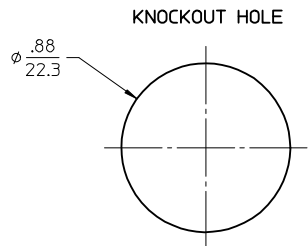
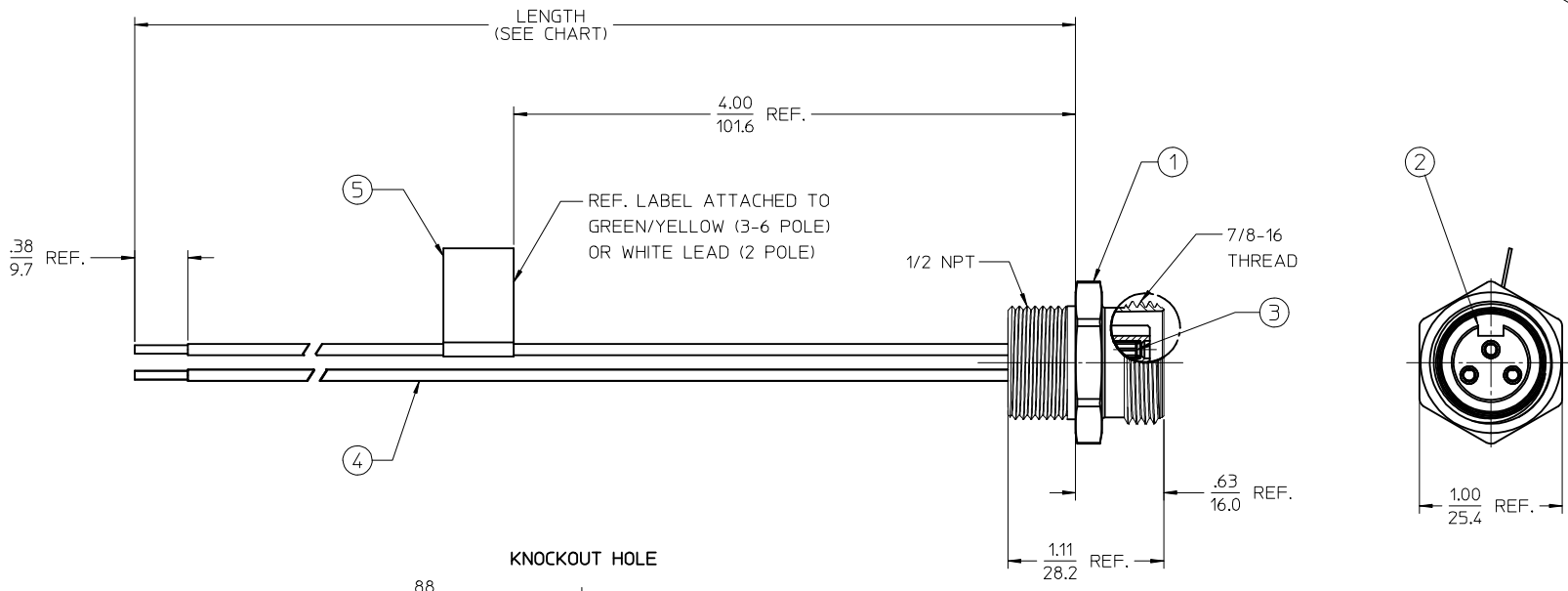
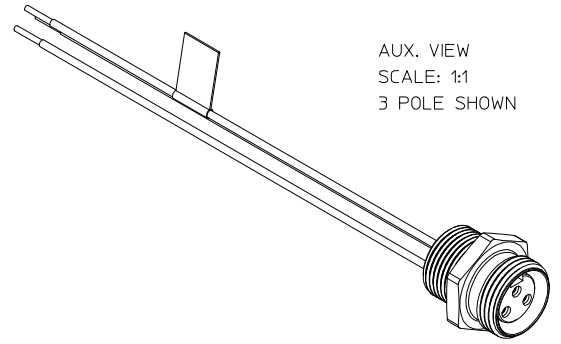


MATERIAL NO.	ENGINEERING NO.	LENGTH	POLES	ELECTRICAL SPECS
1300130149	1R3004A20F0601	6'0" +2.19 -0 (1.83M +55.6 -0)	3	600 VOLTS, 13 AMPS
1300130315	1R4004A20A1201	12.00' +.75 -0 (304.8 +19.1 -0)	4	600 VOLTS, 10 AMPS
1300130443	1R5004A20A1201	12.00' +.75 -0 (304.8 +19.1 -0)	5	600 VOLTS, 8 AMPS



FACE VIEW-FEMALE INSERT				
1 WHITE 2 BLACK	1 GREEN/YELLOW 2 BLACK 3 WHITE	1 BLACK 2 WHITE 3 RED 4 GREEN/YELLOW	1 WHITE 2 RED 3 GREEN/YELLOW 4 ORANGE 5 BLACK	1 WHITE 2 RED 3 GREEN/YELLOW 4 ORANGE 5 BLACK 6 BLUE

- NOTES:
 1. MATERIAL: SEE TABLE
 2. FINISHES: SEE TABLE
 3. MATES WITH: MINI CHANGE CABLE
 4. ELECTRICAL SPECIFICATIONS: SEE CHART
 5. ASSEMBLY IS RoHS COMPLIANT

ITEM	QTY.	DESCRIPTION	MATERIAL	FINISH
5	1	LABEL	VINYL	BLACK/YELLOW
4	A/R	WIRE, 16 AWG, UL1015	PVC INSULATION	SEE WIRE DIAGRAM
3	A/R	CONTACT SOCKET	Cu ALLOY	GOLD PLATED
2	1	INSERT	PVC	YELLOW
1	1	RECEPTACLE SHELL	ST. STEEL	PASSIVATED

NEW SALES DWG. EC NO: JFG2013-0880 DRAWN BY: DRWINRSTONE 2013/01/11 CHKD BY: JOZWIK 2013/01/25 APPR: JFMURPHY 2013/03/01	QUALITY SYMBOLS	GENERAL TOLERANCES (UNLESS SPECIFIED)	DIMENSION STYLE	SCALE	DESIGN UNITS	THIRD ANGLE PROJECTION																		
	$\nabla=0$ $\nabla=0$	<table border="1"> <tr> <th></th> <th>mm</th> <th>INCH</th> </tr> <tr> <td>4 PLACES</td> <td>± .10</td> <td>± .004</td> </tr> <tr> <td>3 PLACES</td> <td>± .15</td> <td>± .006</td> </tr> <tr> <td>2 PLACES</td> <td>± 0.05</td> <td>± .002</td> </tr> <tr> <td>1 PLACE</td> <td>± 0.10</td> <td>± .004</td> </tr> <tr> <td>0 PLACE</td> <td>± .15</td> <td>± .006</td> </tr> </table>		mm	INCH	4 PLACES	± .10	± .004	3 PLACES	± .15	± .006	2 PLACES	± 0.05	± .002	1 PLACE	± 0.10	± .004	0 PLACE	± .15	± .006	IN/MM DRAWN BY: RSTONE DATE: 2013/01/11 CHECKED BY: K. JOZWIK DATE: 2013/01/25 APPROVED BY: JFMURPHY DATE: 2013/03/01	1.5:1	INCH	
		mm	INCH																					
	4 PLACES	± .10	± .004																					
3 PLACES	± .15	± .006																						
2 PLACES	± 0.05	± .002																						
1 PLACE	± 0.10	± .004																						
0 PLACE	± .15	± .006																						
ANGULAR ± .5 ° DRAFT WHERE APPLICABLE MUST REMAIN WITHIN DIMENSIONS	MATERIAL NO. SEE CHART	TITLE MINI CHANGE FEM. RECEPT. EXT THD, 16 AWG 1/2 NPT MTG THD, SS	DOCUMENT NO. SD-130013-041	SHEET NO. 1 OF 1																				
THIS DRAWING CONTAINS INFORMATION THAT IS PROPRIETARY TO MOLEX INCORPORATED AND SHOULD NOT BE USED WITHOUT WRITTEN PERMISSION																								