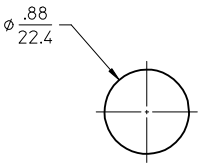
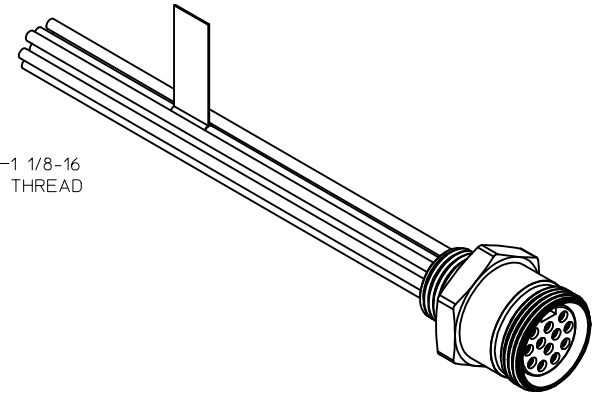
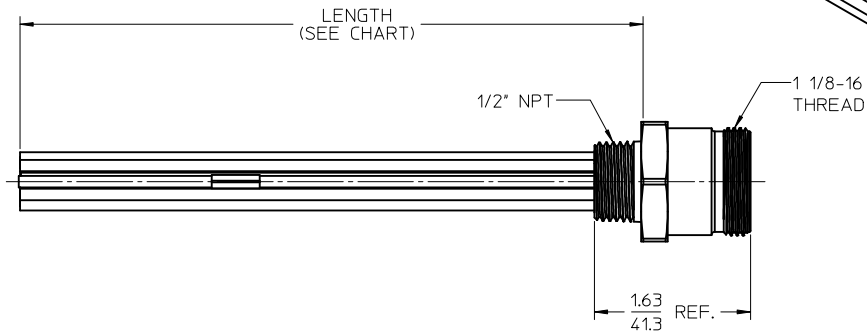


MATERIAL NO.	ENGINEERING NO.	LENGTH
1300150054	3R2004A20A120	12' +.75-0 [305mm +19.0-0]
1300150062	3R2004A20F060	6'0' +2.19-0 [1.8M +55.6-0]



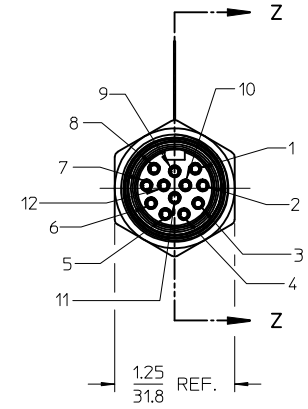
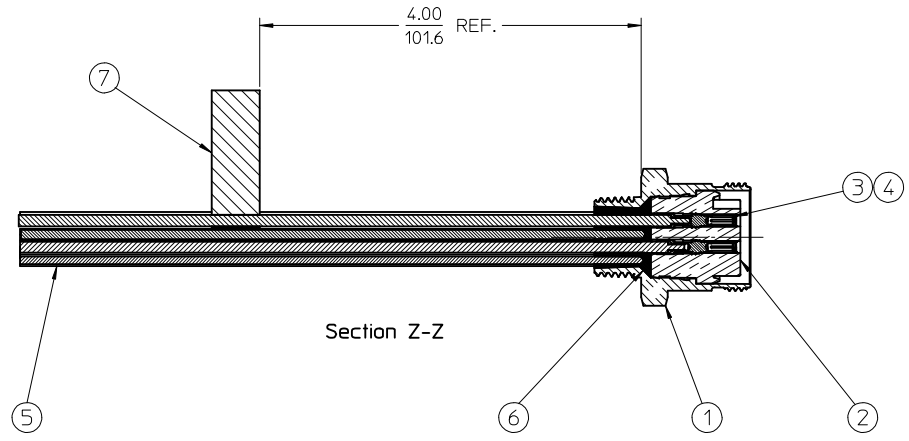
REF. KNOCK-OUT HOLE



- NOTES:
1. MATERIAL: SEE TABLE
 2. FINISHES: SEE TABLE
 3. MATES WITH: NONE
 4. ELECTRICAL SPECIFICATIONS:
VOLTAGE RATING: 600V AC/DC
CURRENT RATING: 5 AMPS
 5. RoHS COMPLIANT

1	ORANGE
2	BLUE
3	WHITE-BLACK
4	RED-BLACK
5	GREEN-BLACK
6	ORANGE-BLACK
7	BLUE-BLACK
8	BLACK-WHITE
9	GREEN-YELLOW
10	RED
11	WHITE
12	BLACK

WIRING DIAGRAM



ITEM	QTY.	DESCRIPTION	MATERIAL	FINISH
7	1	LABEL	PLASTIC FILM	BLACK/YELLOW
6	1	POTTING	EPOXY	
5	12	WIRE, 16 AWG (UL 1015)	PVC INSULATED	SEE WIRE DIAGRAM
4	12	SOCKET SLEEVE	ST.STEEL	
3	12	CONTACT SOCKET	BRASS	GOLD PLATED
2	1	INSERT	PVC	YELLOW
1	1	RECEPTACLE SHELL	ZINC ALLOY	BLACK

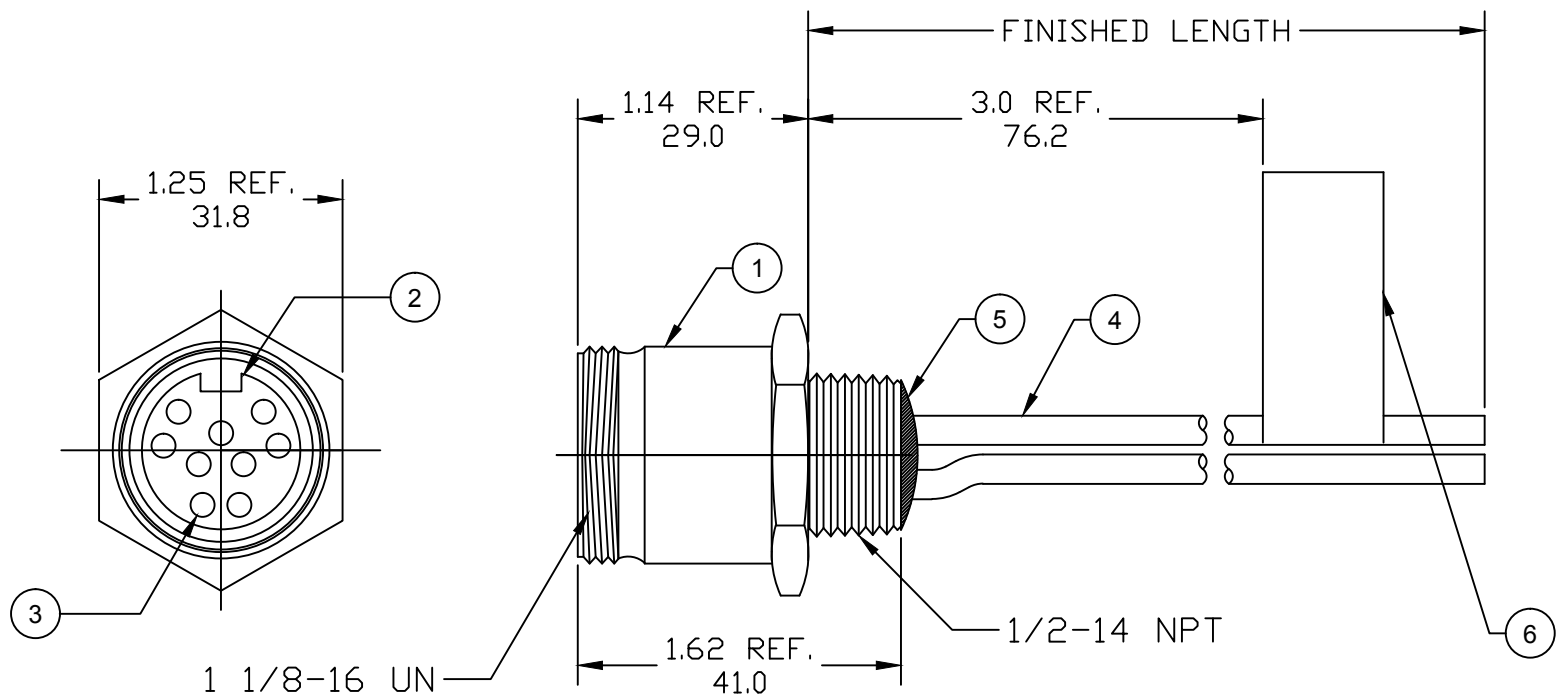
RELEASED	EC NO: MNA2010-0101	DRWR:RSTONE 2009/08/17	CHKD:B.WOODMAN	APPR:J.MURPHY 2009/08/21
REV	DESCRIPTION			
A				

QUALITY SYMBOLS	GENERAL TOLERANCES (UNLESS SPECIFIED)	
	mm	INCH
▽=0	4 PLACES ± .005	± .005
▽=0	3 PLACES ± .005	± .005
	2 PLACES ± .005	± .01
	1 PLACE ± 0.3	± .005
	ANGULAR ± 1/2°	
	DRAFT WHERE APPLICABLE MUST REMAIN WITHIN DIMENSIONS	

DIMENSION STYLE	
IN/MM	
DRAWN BY	DATE
R.STONE	2009/08/17
CHECKED BY	DATE
B.WOODMAN	2009/08/17
APPROVED BY	DATE
J.MURPHY	2009/08/20
MATERIAL NO.	
SEE CHART	
SIZE	
C	

SCALE	DESIGN UNITS	THIRD ANGLE PROJECTION
1:1	INCH	
TITLE		
MC RECEPTACLE, FEMALE 12 POLE, 1/2" NPT		
MOLEX INCORPORATED		
DOCUMENT NO.	SHEET NO.	
SD-130015-007	1 OF 1	
THIS DRAWING CONTAINS INFORMATION THAT IS PROPRIETARY TO MOLEX INCORPORATED AND SHOULD NOT BE USED WITHOUT WRITTEN PERMISSION		

FACE VIEW-FEMALE INSERT		
1 ORANGE 2 BLUE 3 RED/BLACK 4 GREEN/BLACK 5 WHITE 6 RED 7 GREEN/YELLOW 8 WHITE/BLACK 9 BLACK	1 ORANGE 2 BLUE 3 WHITE/BLACK 4 RED/BLACK 5 GREEN/BLACK 6 ORANGE/BLACK 7 RED 8 GREEN/YELLOW 9 BLACK 10 WHITE	1 ORANGE 2 BLUE 3 WHITE/BLACK 4 RED/BLACK 5 GREEN/BLACK 6 ORANGE/BLACK 7 BLUE/BLACK 8 BLACK/WHITE 9 GREEN/YELLOW 10 RED 11 WHITE 12 BLACK



NOTES:

- MATERIAL: AS NOTED
- FINISH: AS NOTED
- ELECTRICAL:
 VOLTAGE: 600V
 CURRENT: 9 POLE: 7A
 10 POLE: 7A
 12 POLE: 5A
- TEMP RATING: -20°TO +105°C
- PROTECTION: IP67 (WHEN MATED)

PART NUMBER LEGEND

3R1004A20F01011

SERIES: MC 9, 10, & 12P

POLES:
 9= 9 POLES
 1=10 POLES
 2=12 POLES

WIRE: 16 AWG

FEMALE, EXTERNAL THREAD

COUPLING: BLANK= STD (SEE BOM)
 1= 303 STAINLESS ST.

FINISHED LENGTH: F001= .1 FT
 F010= 1 FT
 F100= 10 FT

M005= 0.5 METER
 M010= 1 METER
 M100= 10 METER

6	FLAG LABEL	VINYL	BLACK/YELLOW
5	POTTING MATERIAL	EPOXY	
4	WIRE, 16 AWG UL (1015)	PVC INSULATION	SEE CHART
3	CONTACT SOCKET	COPPER ALLOY	GOLD PLATED
2	FEMALE INSERT (C-SIZE)	PVC	YELLOW
1	RECEPTACLE SHELL	ZINC DIE-CAST	BLACK
ITEM	DESCRIPTION	MATERIAL	FINISH

RELEASE EC NO: IPG2017-0018 DRWN: RSTONE 2016/07/11 CHKD: K COX APPR: TWOLDEGE 2016/08/19	QUALITY SYMBOLS ▽=0 ◻=0	GENERAL TOLERANCES (UNLESS SPECIFIED)		DIMENSION STYLE IN/MM		SCALE ---	DESIGN UNITS INCH	THIRD ANGLE PROJECTION		
		4 PLACES	±---	±---	DRAWN BY	DATE	TITLE MINI-CHANGE RECEPTACLE 9, 10 & 12 POLE, FEMALE 16 AWG			
		3 PLACES	±---	±---	CHECKED BY	DATE	MOLEX INCORPORATED			
		2 PLACES	±0.13	±0.01	APPROVED BY	DATE	DOCUMENT NO. SD-130015-026		SHEET NO. 1 OF 1	
1 PLACE	±0.3	±---	MATERIAL NO. -		SIZE B		THIS DRAWING CONTAINS INFORMATION THAT IS PROPRIETARY TO MOLEX INCORPORATED AND SHOULD NOT BE USED WITHOUT WRITTEN PERMISSION			
DRAFT WHERE APPLICABLE MUST REMAIN WITHIN DIMENSIONS		ANGULAR ±2°								