

THIS COPY IS PROVIDED ON A RESTRICTED BASIS AND IS NOT TO BE USED IN ANY WAY DETRIMENTAL TO THE INTERESTS OF PANDUIT CORP.

NOTES, UNLESS OTHERWISE SPECIFIED:

* THIS TOOL TIGHTENS CABLE TIES AND CUTS OFF EXCESS PORTION WHEN PRESET TENSION IS ATTAINED.

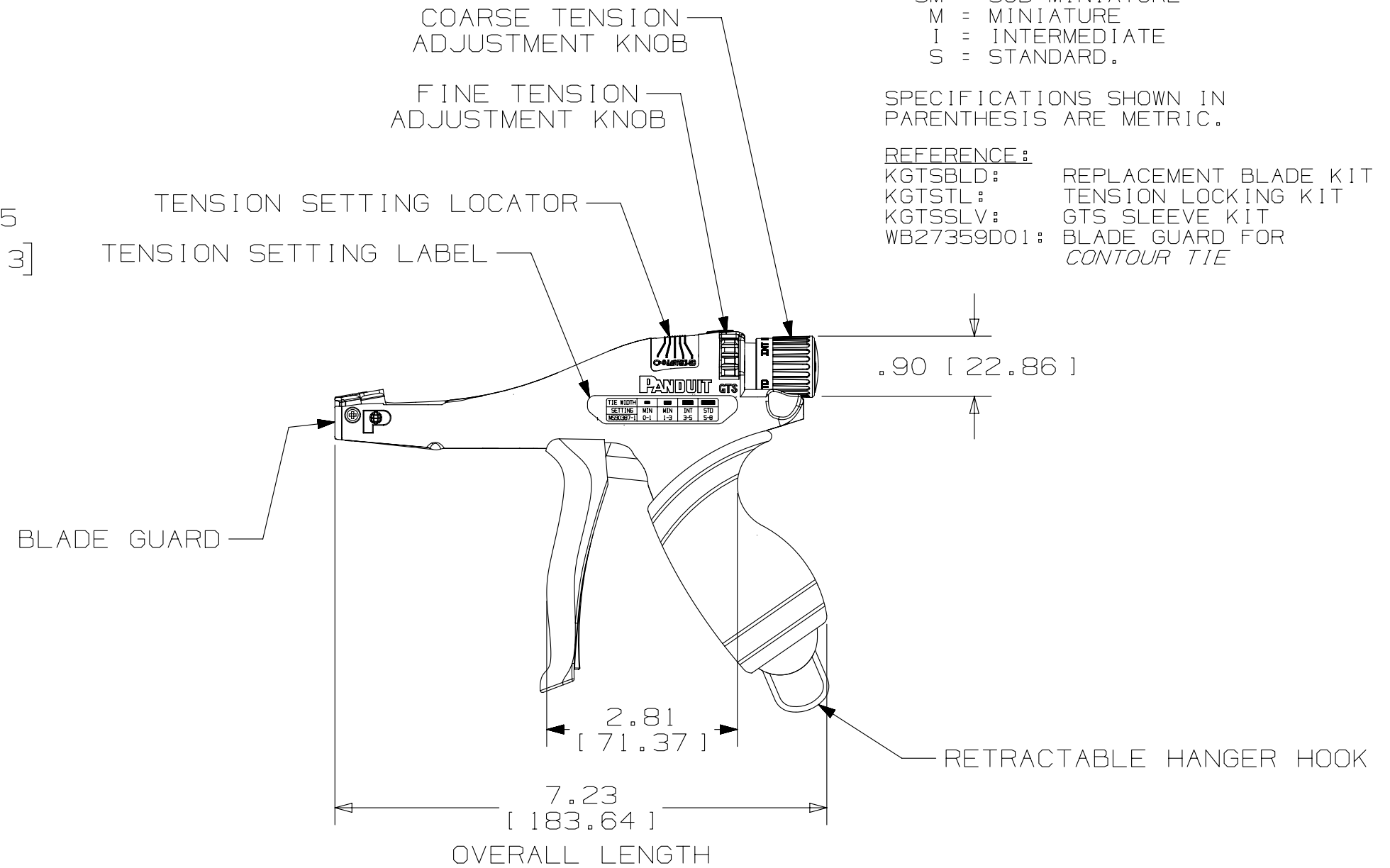
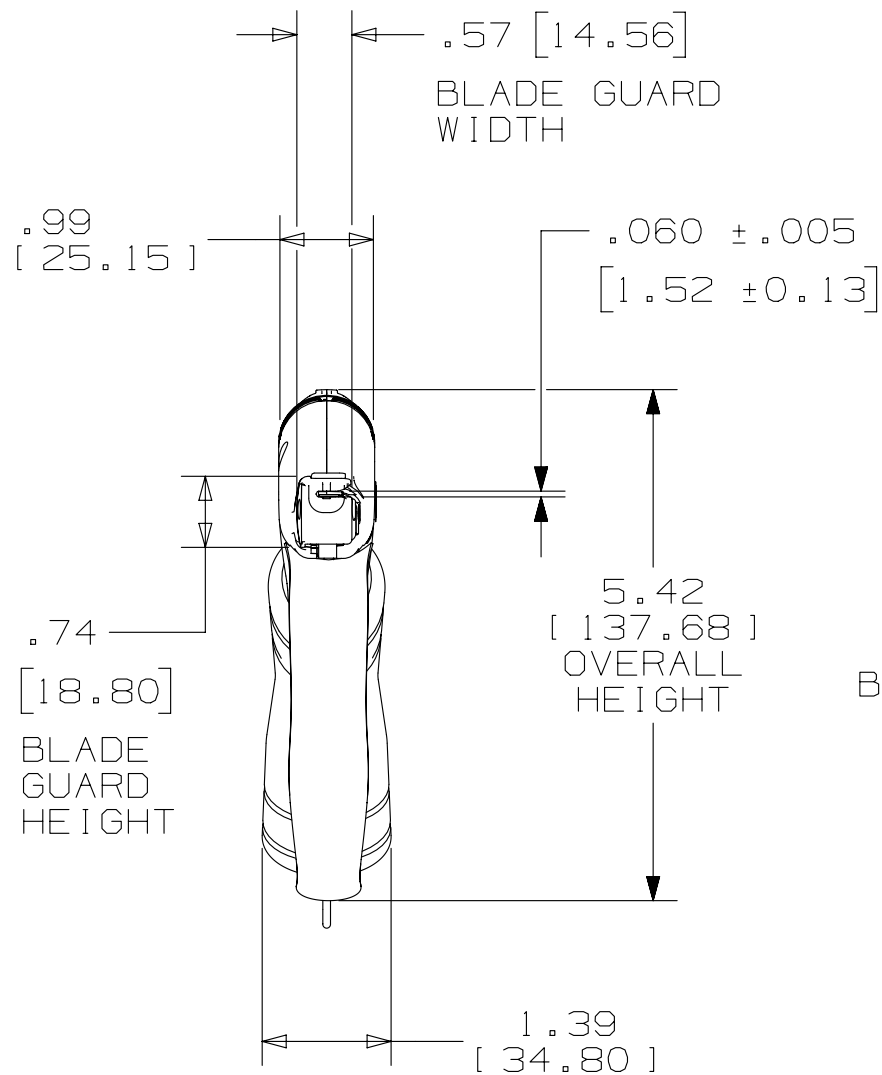
** CABLE TIE CROSS-SECTION CODE:
 SM = SUB-MINIATURE
 M = MINIATURE
 I = INTERMEDIATE
 S = STANDARD.

SPECIFICATIONS SHOWN IN PARENTHESIS ARE METRIC.

REFERENCE:

KGTSBLD: REPLACEMENT BLADE KIT
 KGTSTL: TENSION LOCKING KIT
 KGTSSLV: GTS SLEEVE KIT
 WB27359D01: BLADE GUARD FOR CONTOUR TIE

PANDUIT TOOL NO.	INSTALLS * THE FOLLOWING CABLE TIE CROSS-SECTIONS **	WEIGHT/PC	
		OZ	GRAMS
GTS	SM, M, I, S	9.8	277.8



CAD FILENAME/LAYERS R24229BA_DC_WB24229B01_05A

PANDUIT CORP TINLEY PARK, ILLINOIS
 CD, GTS

UNLESS OTHERWISE SPECIFIED, DIMENSIONAL TOLERANCES ARE:
 (.X) ± -- (.XXX) ± --
 (.XX) ± -- ANGLES ± --

UNLESS OTHERWISE SPECIFIED, ALL DIMENSIONS ARE GIVEN IN INCHES, THIRD ANGLE PROJECTION

DRAWN BY JEH

MAT'L:

SCALE 1/2" = 1"

REV	DATE	BY	CHK	DESCRIPTION	ECN	R	CUST	SUP
05	1-9-15	JEH	ABJ	NOTE UPDATES	4781	--	ABJ	

DATE 4-28-00

CHK'D BJPU

DRAWING NO.

WB24229B01

DWG

B

SIZE