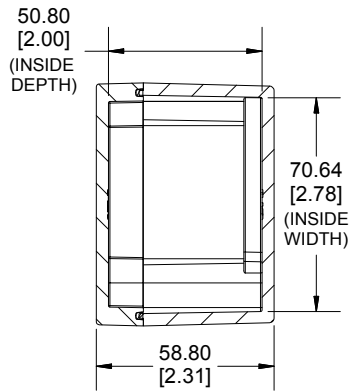
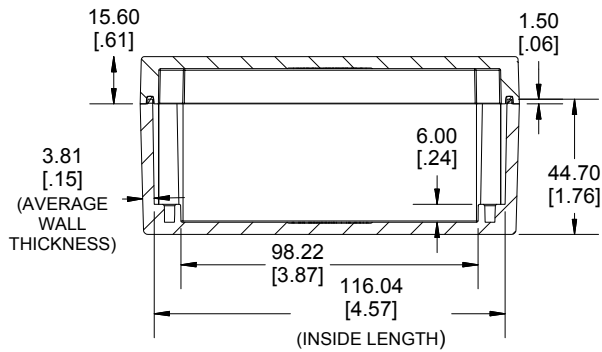
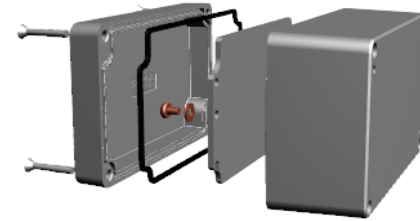


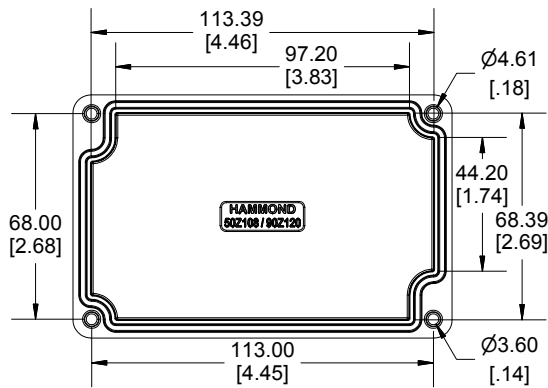
**TOP VIEW**



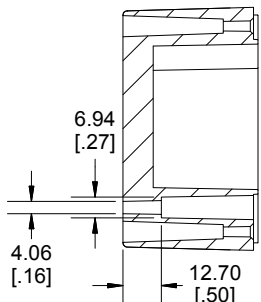
**SECTION A-A  
END VIEW**



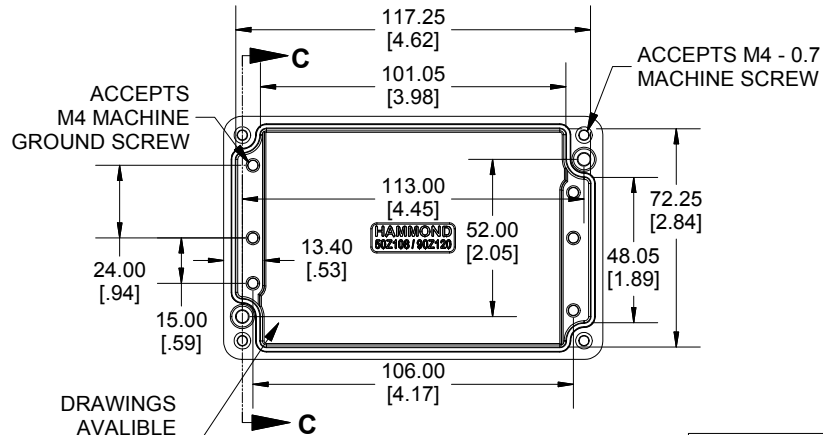
**SECTION B-B  
SIDE VIEW**



**INSIDE LID**



**SECTION C-C  
MOUNTING HOLE**



**INSIDE BOX**

Dimensions:  
mm  
[inches]



Enclosures can be Factory Modified ( Milling, Drilling, Printing etc.)  
Contact Factory [mjm@hammondmfg.com](mailto:mjm@hammondmfg.com) for quotes  
Solid models of this enclosure available in STEP or IGES.  
(Part number and text placement/orientation on our products are subject to change,  
we do not recommend using them as a locating reference for modification purposes)

**NOTE**

Purchased assembly includes box, lid, silicone gasket,  
4 cover screws and 2 ground screws with washers.  
Box and lid are made from Diecast Aluminum Alloy.

**Recommended cover screw Torque 5-7.5 lbf.in ( 50 -75 cN.m)**

1590Z120	
1590Z120 Enclosure	
Basic Enclosure	1590Z120
Black Enclosure	1590Z120BK
Grey Enclosure - RAL7001 Gloss	1590Z120GY
ACCESSORIES	
Steel Inner Panel	1590Z120PL
Pre-Formed Silicone Gasket	1590Z120G
Copper Ground Hardware (2 Pack) [M4 - 0.7 X 6mm / M4 Washer]	SCGM4

**1590Z120**  
[www.hammondmfg.com](http://www.hammondmfg.com)