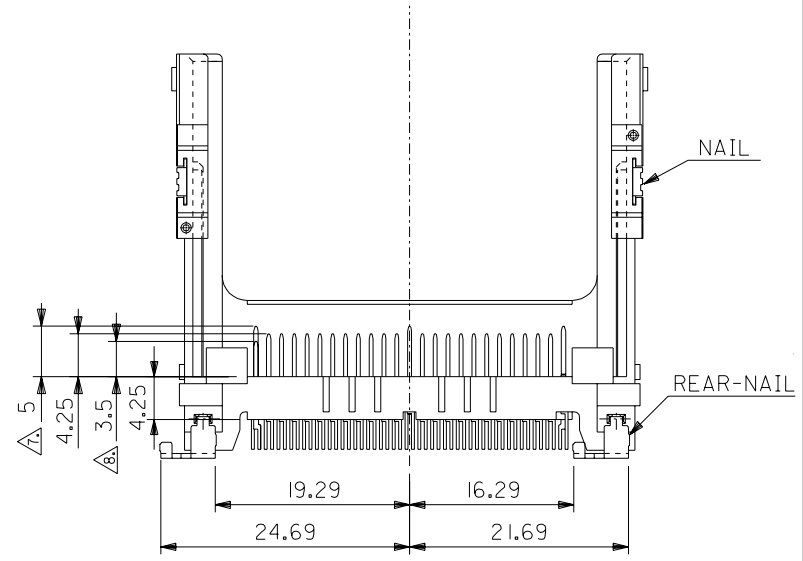
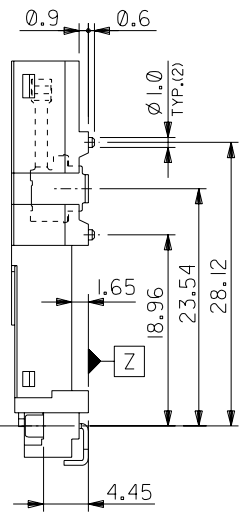
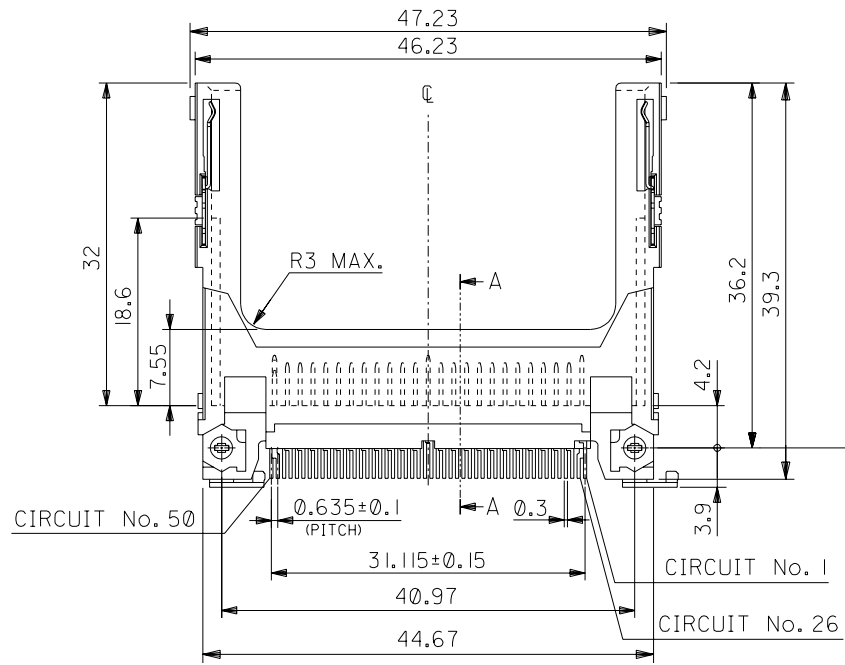
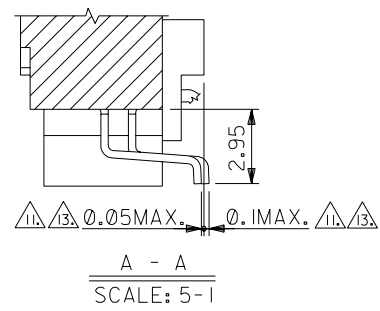
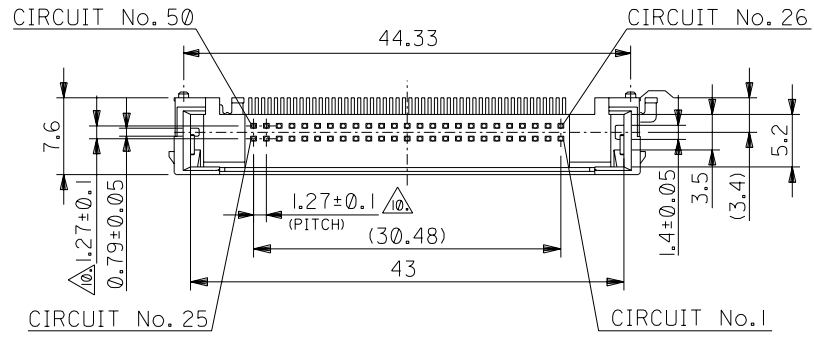


DWG. NO. SD-55358-014



DO NOT SCALE DRAWING

EC NO. DRWN: CHK: APPR:	EC NO. DRWN: CHK: APPR:	EC NO. DRWN: CHK: APPR:	EC NO. DRWN: CHK: APPR:
RELEASED EC NO. J2004-3952 DRWN: M.NABEI '04/04/22 CHK: K.TOJO '04/04/22 APPR: M.SASAO '04/04/22			

DESCRIPTION	MATERIAL 材料	FINISH 仕上り	WIRE RANGE 適用線径範囲	INS. RANGE 被覆外径
	SEE NOTES	SEE NOTES	#	#

GENERAL TOLERANCES: (UNLESS SPECIFIED) 一般公差	
10 UNDER 未満	±0.2
10 OVER 30 UNDER 以上 未満	±0.25
30 OVER 以上	±0.3
ANGLE 角度	±3°

55358-5028		55358-5029		55358-50**	
HARD TRAY PACKAGE		MATERIAL No.		MODEL No.	
SCALE 2 - 1	DESIGN UNITS <input checked="" type="checkbox"/> mm <input type="checkbox"/> INCH	DIMENSIONS: <input type="checkbox"/> mm <input type="checkbox"/> INCH <input type="checkbox"/> mm <input checked="" type="checkbox"/> INCH ONLY		SHT	REV
DRAWN BY & DATE M.NABEI '04/04/22		TITLE: CF CARD CONN. 50P HEADER ASS'Y (TYPE I/II, NORMAL) -LEAD FREE-			
CHECKED BY & DATE K.TOJO '04/04/22		M.OLEX MOLEX INCORPORATED			
APPROVED BY & DATE M. Sasao '04/04/22		MATERIAL NO. SEE CHART	DRAWING NO. SD-55358-014	SHEET NO. 1 OF 2	
THIS DRAWING CONTAINS INFORMATION THAT IS PROPRIETARY TO MOLEX INCORPORATED AND SHOULD NOT BE USED WITHOUT WRITTEN PERMISSION.					SIZE B

SD-55358-014.S01

