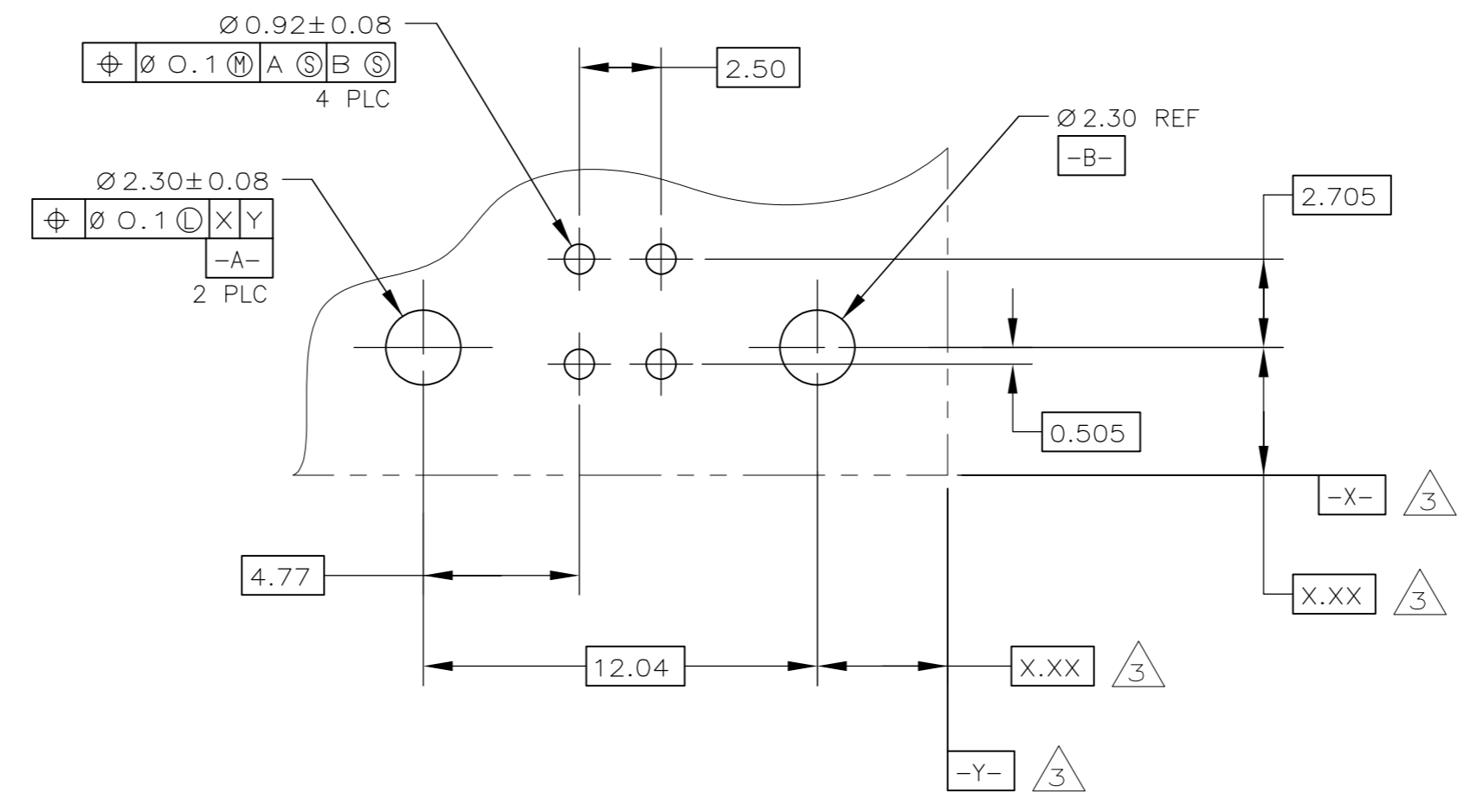
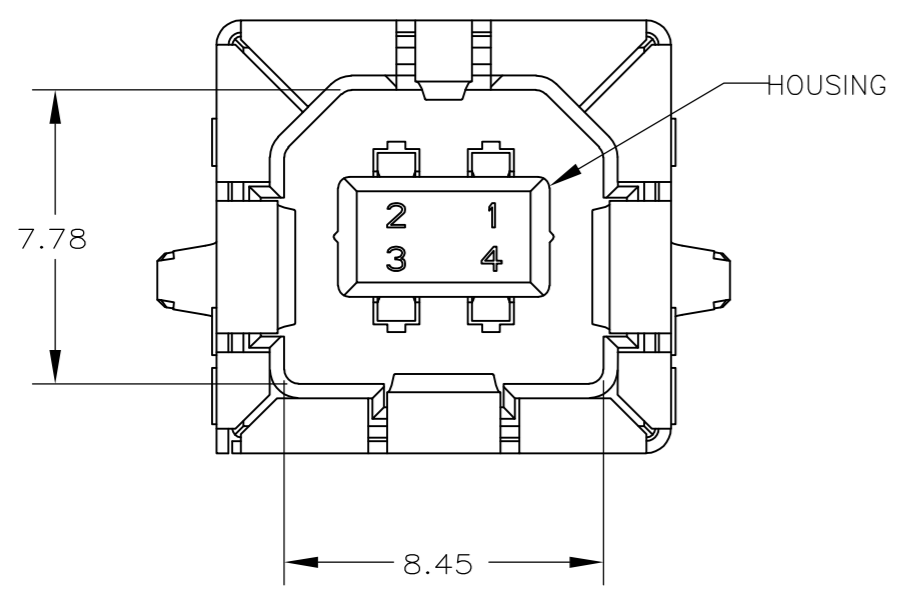


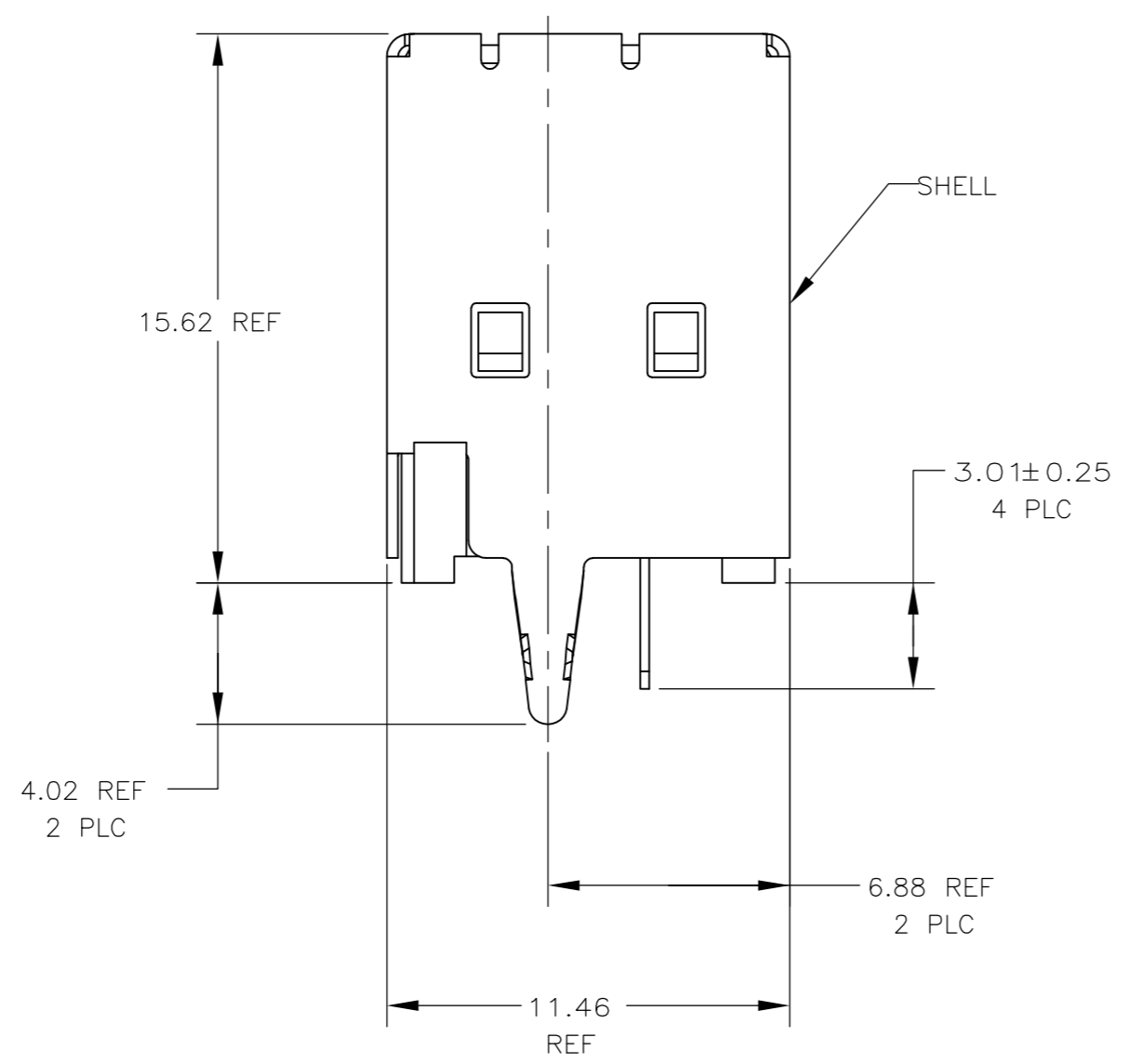
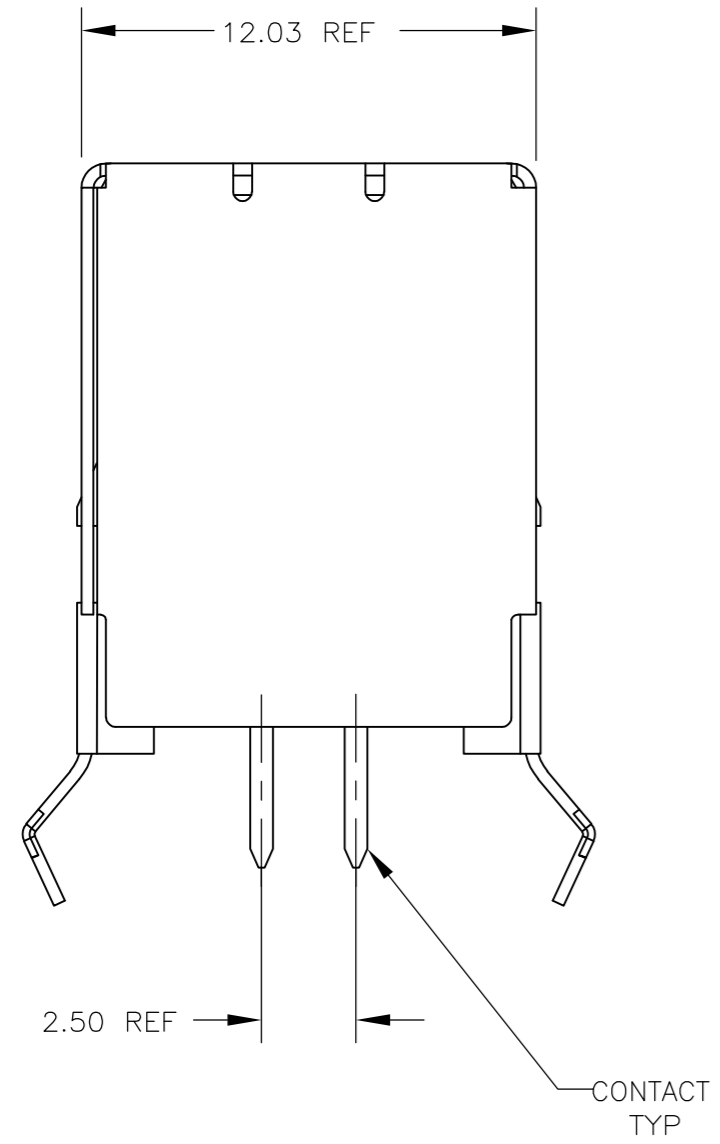
THIS DRAWING IS UNPUBLISHED. RELEASED FOR PUBLICATION  
 © COPYRIGHT - By - ALL RIGHTS RESERVED.

LOC		DIST		REVISIONS			
P	LTR	DESCRIPTION		DATE	DWN	APVD	
ES	00	A2	REVISED PER ECR-16-007405		2Sep2016	A.X	H.W



LEAD FREE

PC BOARD MOUNTING DIMENSIONS  
 4



- 1 MATERIAL:  
SHELL & CONTACTS - COPPER ALLOY.  
HOUSING - UL 94V-0 RATED, THERMOPLASTIC, FOR COLOR SEE TABLE.
- 2 PLATING:  
CONTACTS - 0.076um MINIMUM GOLD OVER 0.76um MINIMUM PALLADIUM-NICKEL ON MATING AREA, 3.8um MINIMUM MATTE TIN ON SOLDER TAILS, BOTH OVER 1.27um MINIMUM NICKEL.  
CONTACT ALTERNATE PLATING: 0.76um MINIMUM GOLD ON MATING AREA, 3.80um MINIMUM MATTE TIN ON SOLDER TAILS, BOTH OVER 1.27um MINIMUM NICKEL.  
SHELL - 2~5um MINIMUM BRIGHT TIN.
- 3 DATUM AND BASIC DIMENSIONS ESTABLISHED BY CUSTOMER.
- 4 RECOMMENDED PC BOARD THICKNESS OF 1.57mm.

NATURAL	5787834-2
BLACK	5787834-1
HOUSING COLOR	PART NUMBER

THIS DRAWING IS A CONTROLLED DOCUMENT.		DWN Ivanov Wang 28MAY2004	
DIMENSIONS: mm		CHK Steven Yao 28MAY2004	
TOLERANCES UNLESS OTHERWISE SPECIFIED:		APVD Takinori Sasaki 28MAY2004	NAME
0 PLC ± - 1 PLC ± 0.1 2 PLC ± 0.05 3 PLC ± 0.013 4 PLC ± - ANGLES ± - FINISH ± -		PRODUCT SPEC	RECEPTACLE ASSY, 4 POS. VERTICAL, THRU-HOLE, TYPE B UNIVERSAL SERIAL BUS
MATERIAL - 1		WEIGHT -	SIZE A2
FINISH - 2		CUSTOMER DRAWING	CAGE CODE 00779
		SCALE 5:1	DRAWING NO C=5787834
		SHEET 1 of 1	RESTRICTED TO -
		REV A2	