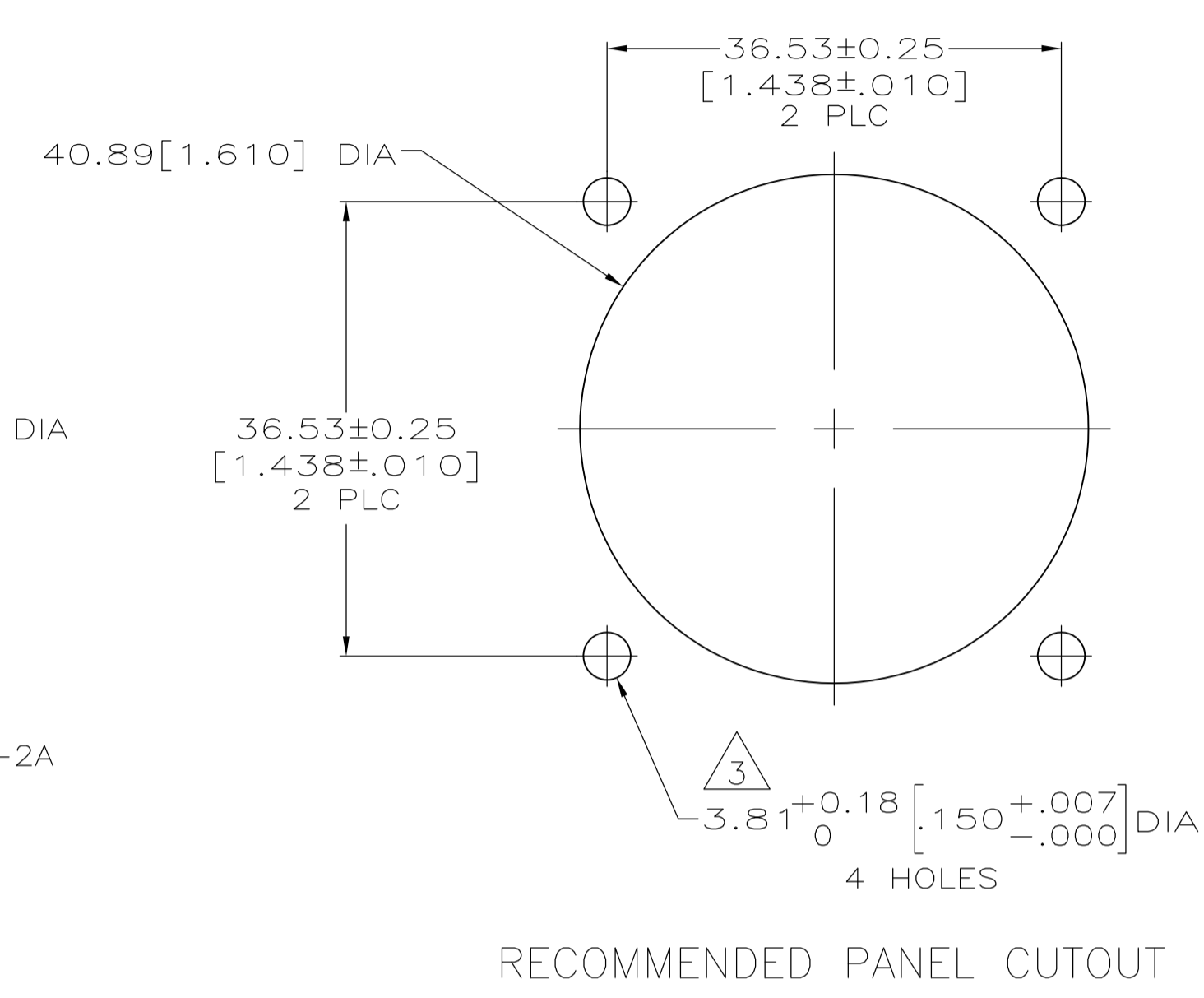
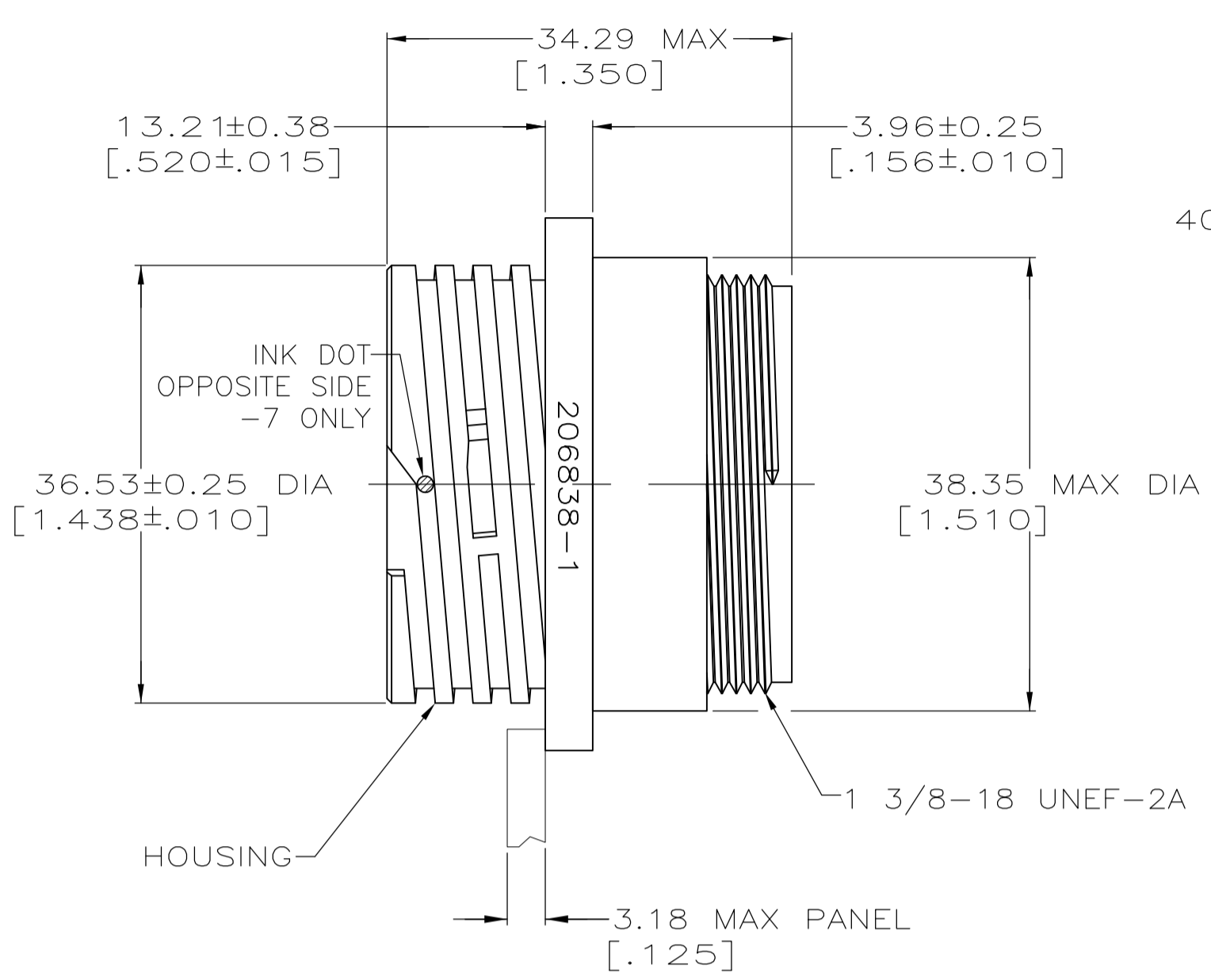
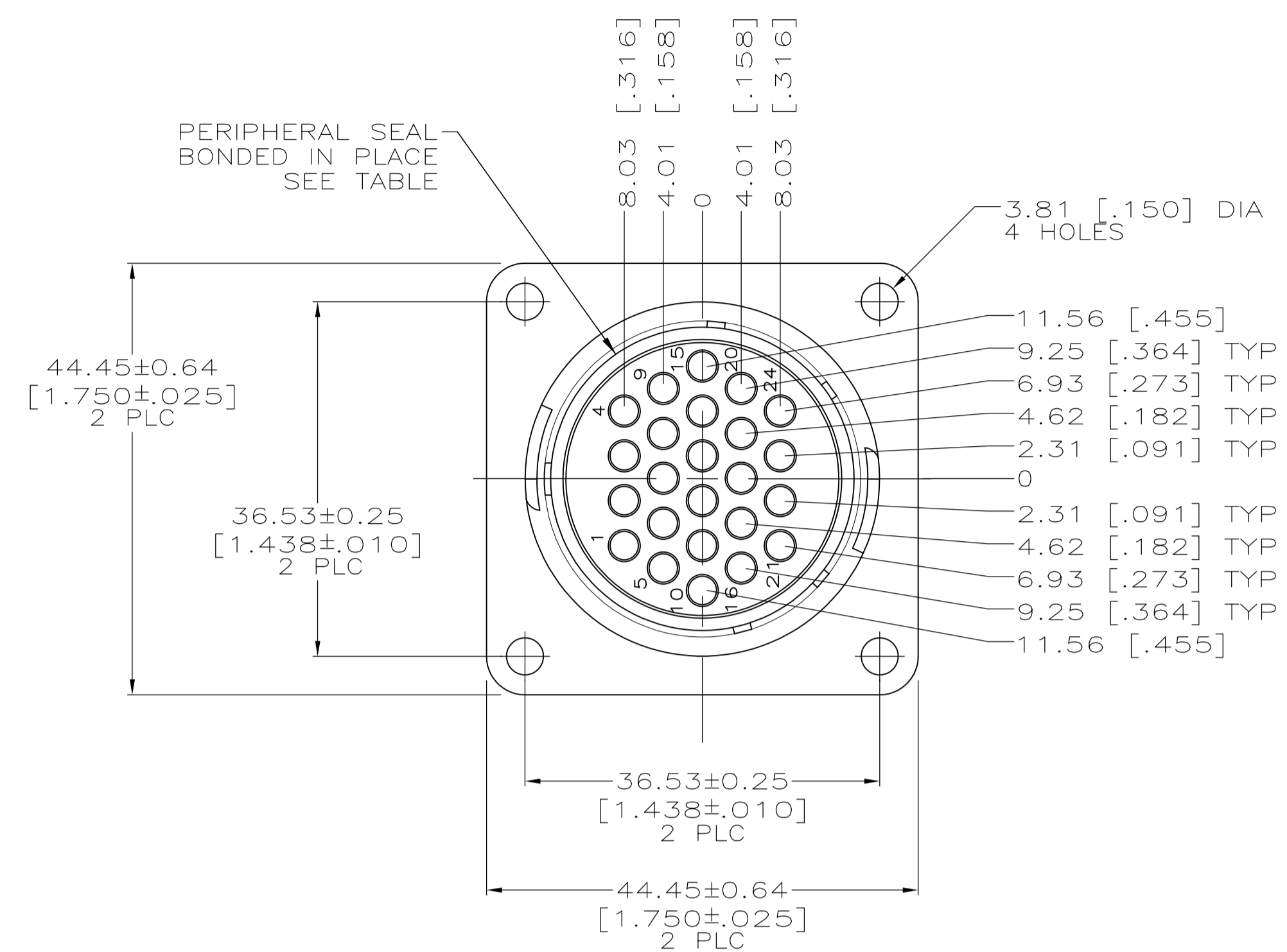
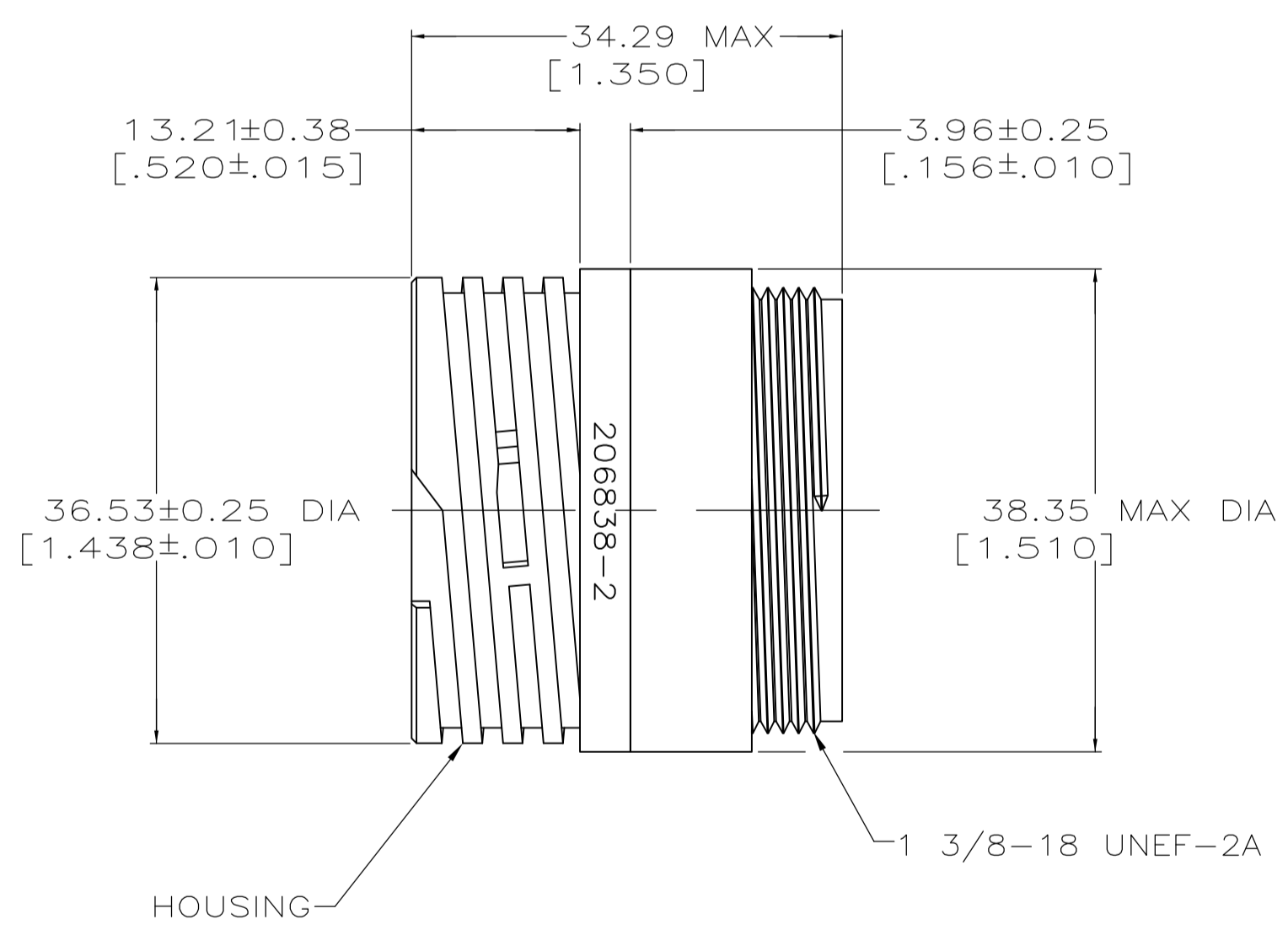
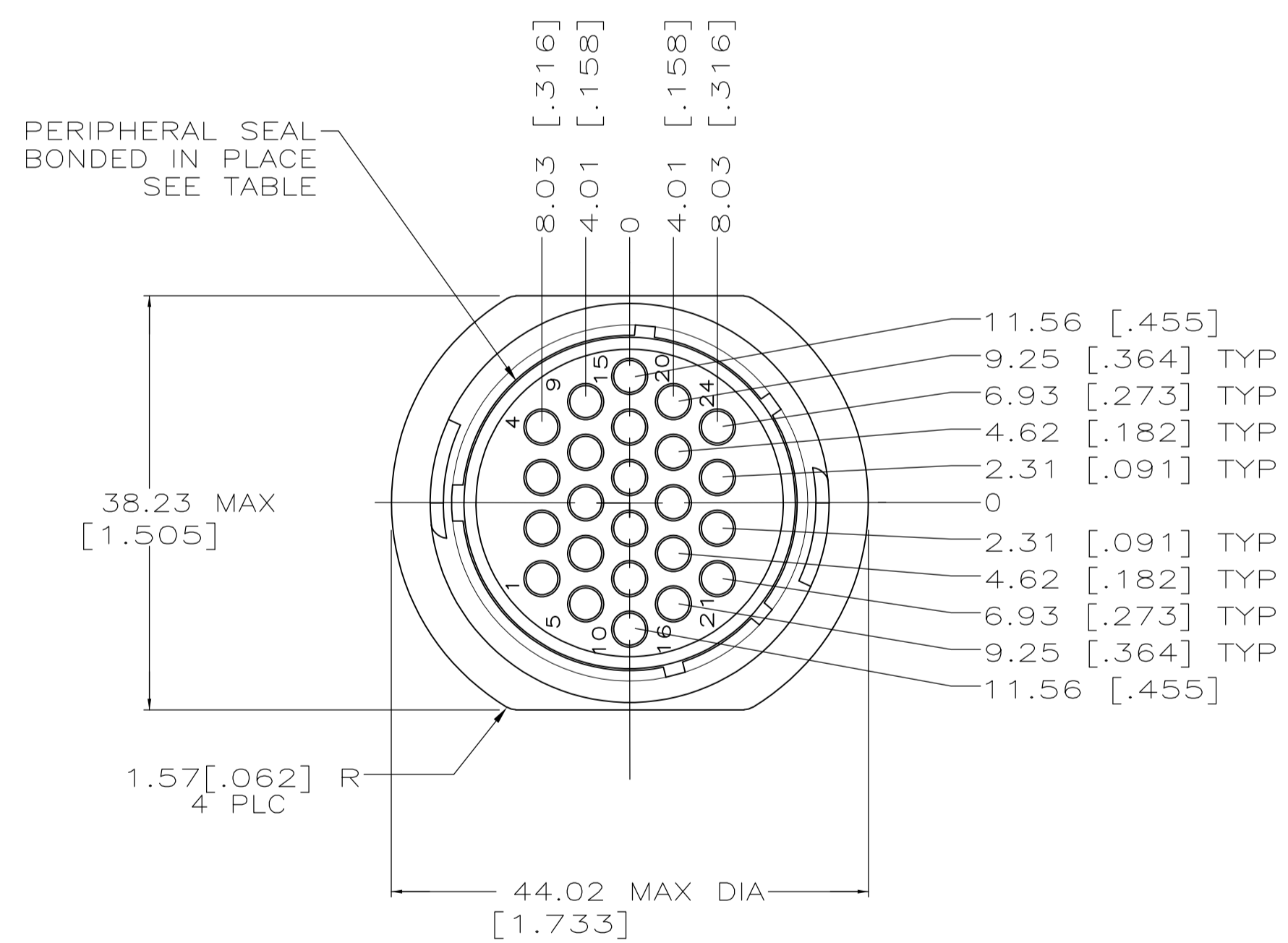


REVISIONS				
P	LTR	DESCRIPTION	DATE	APPV
L1	REVISED PER	ECO-16-004800	10SEP2016	NK MZ



DETAIL A



DETAIL B

- 1 CAVITY IDENTIFICATION ON FRONT AND REAR FACE.
- 2 WILL ACCEPT (24) MULTIMATE PIN CONTACTS.
- 3 NO 4 FASTENER RECOMMENDED FOR MOUNTING.
- 4 MAXIMUM INSULATION NOT TO EXCEED .150 DIA.
- 5 WHITE DOT NEAR POSITION 1 ON WIRE ENTRY FACE.

STANDARD	YES	A	206838-8
STANDARD	YES	A	206838-7
OBSELETE	NO	A	206838-5
STANDARD	YES	B	206838-4
STANDARD	YES	A	206838-3
STANDARD	NO	B	206838-2
STANDARD	NO	A	206838-1
PACKAGING	PERIPHERAL SEAL	SEE DETAIL	PART NUMBER

THIS DRAWING IS A CONTROLLED DOCUMENT.

DIMENSIONS: mm [INCHES]	TOLERANCES UNLESS OTHERWISE SPECIFIED:	DIN D.GELTZ 10/29/92	DRW R.STONE 08/11/93	NAME
0 PLC ± -	1 PLC ± -	2 PLC ± ± 0.13 [.005]	3 PLC ± -	4 PLC ± -
MATERIAL: HOUSING: NYLON, BLACK		FINISH: -		WEIGHT: A1 00779 C=206838

STE TE Connectivity

RECEPTACLE HOUSING, STANDARD SEX, SHELL SIZE 23, CPC

108-10024

SIZE: A1 CAGE CODE: 00779 DRAWING NO: 206838

CUSTOMER DRAWING SCALE: 2:1 SHEET: 1 OF 1 REV: L1