

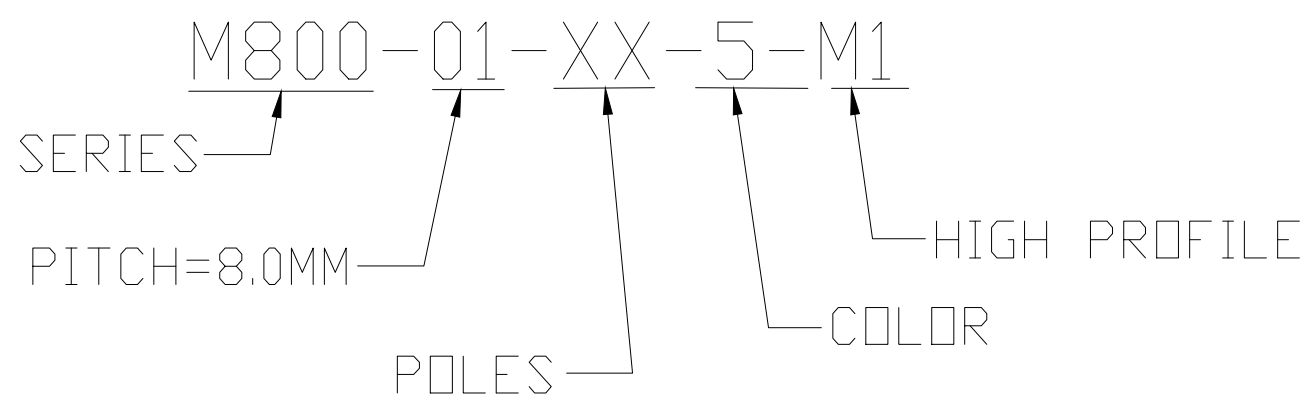
PART NUMBER DATA							
CIRCUITS	PART NUMBER	ENGINEERING NUMBER	COLOR	A IN mm		B IN mm	
2	391001802	M800-01-02-5-M1	WHITE	.53	13.5	.315	8.00
3	391001803	M800-01-03-5-M1	WHITE	.85	21.5	.630	16.00
4	391001804	M800-01-04-5-M1	WHITE	1.16	29.5	.945	24.00
5	391001805	M800-01-05-5-M1	WHITE	1.48	37.5	1.260	32.00
6	391001806	M800-01-06-5-M1	WHITE	1.79	45.5	1.575	40.01
7	391001807	M800-01-07-5-M1	WHITE	2.11	53.5	1.890	48.01
8	391001808	M800-01-08-5-M1	WHITE	2.42	61.5	2.205	56.01
9	391001809	M800-01-09-5-M1	WHITE	2.74	69.5	2.520	64.01
10	391001810	M800-01-10-5-M1	WHITE	3.05	77.5	2.835	72.01
11	391001811	M800-01-11-5-M1	WHITE	3.37	85.5	3.150	80.01
12	391001812	M800-01-12-5-M1	WHITE	3.68	93.5	3.465	88.01

REF. LAST 2 DIGITS OF PART NUMBER EQUAL CIRCUIT COUNT

NOTE: IF THIS PRODUCT IS STORED IN AN ENVIRONMENT WITH A RELATIVE HUMIDITY OF LESS THAN 50%, MOISTURE MUST BE ADDED. REFER TO TECHNICAL ADVISORY AS 45499-001 FOR INSTRUCTIONS.



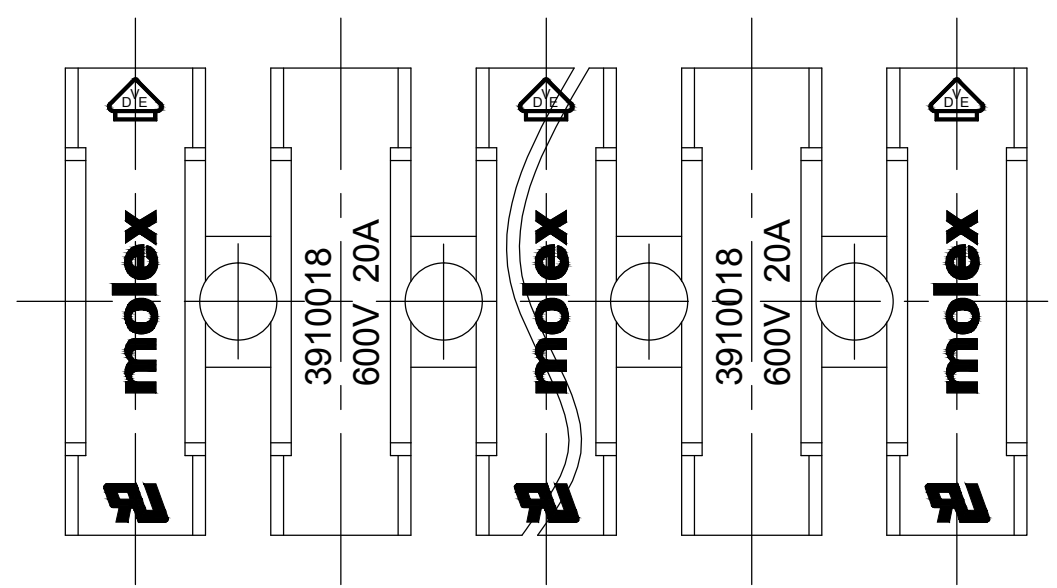
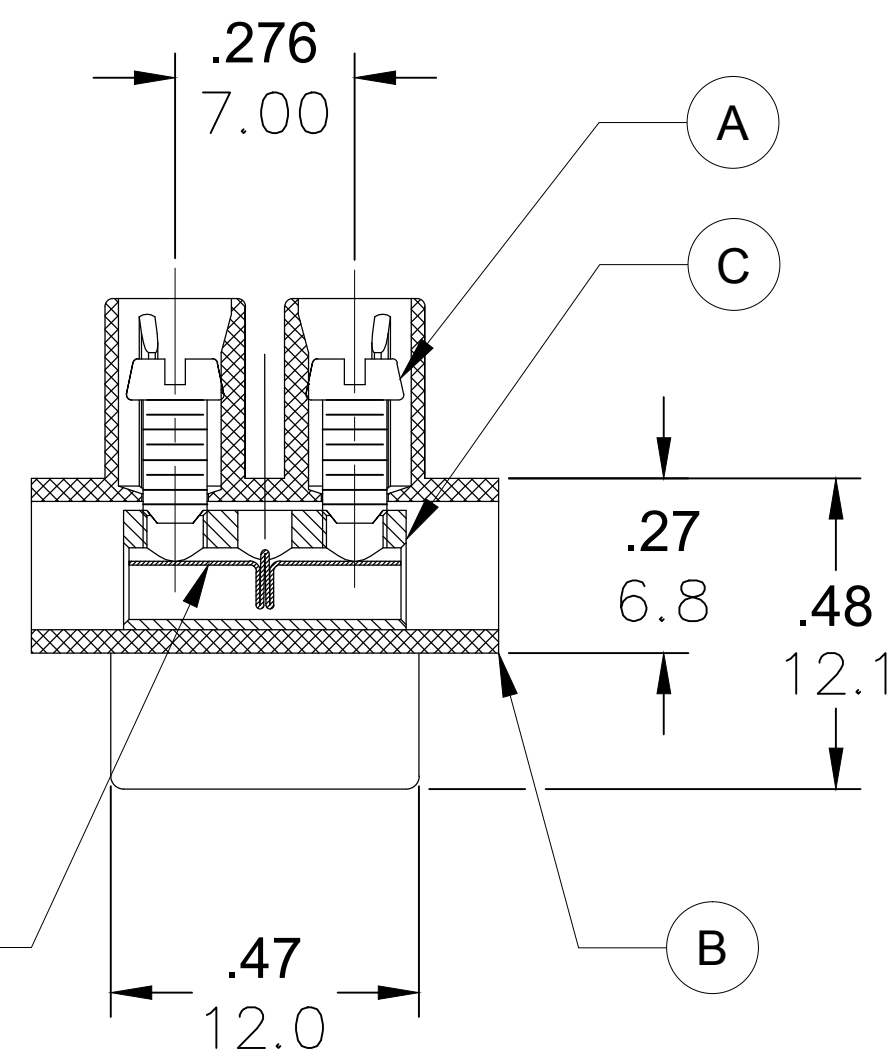
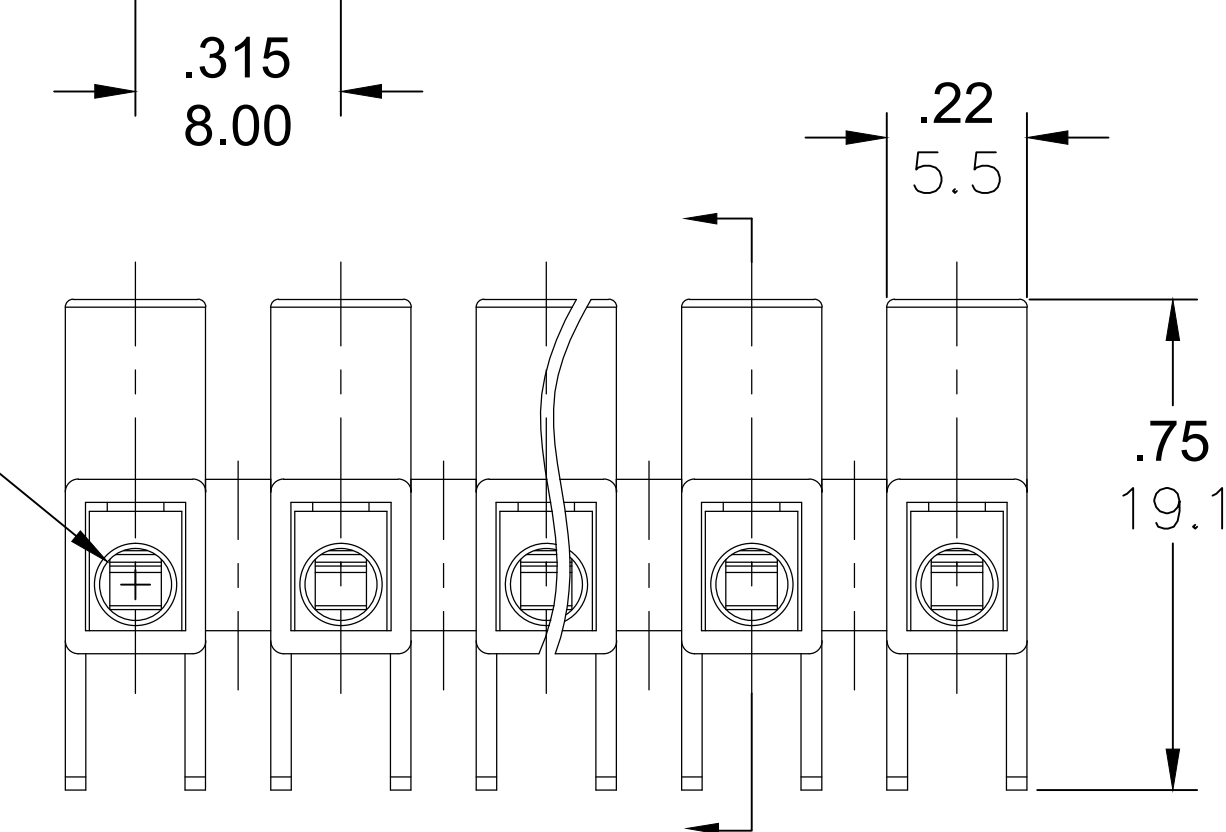
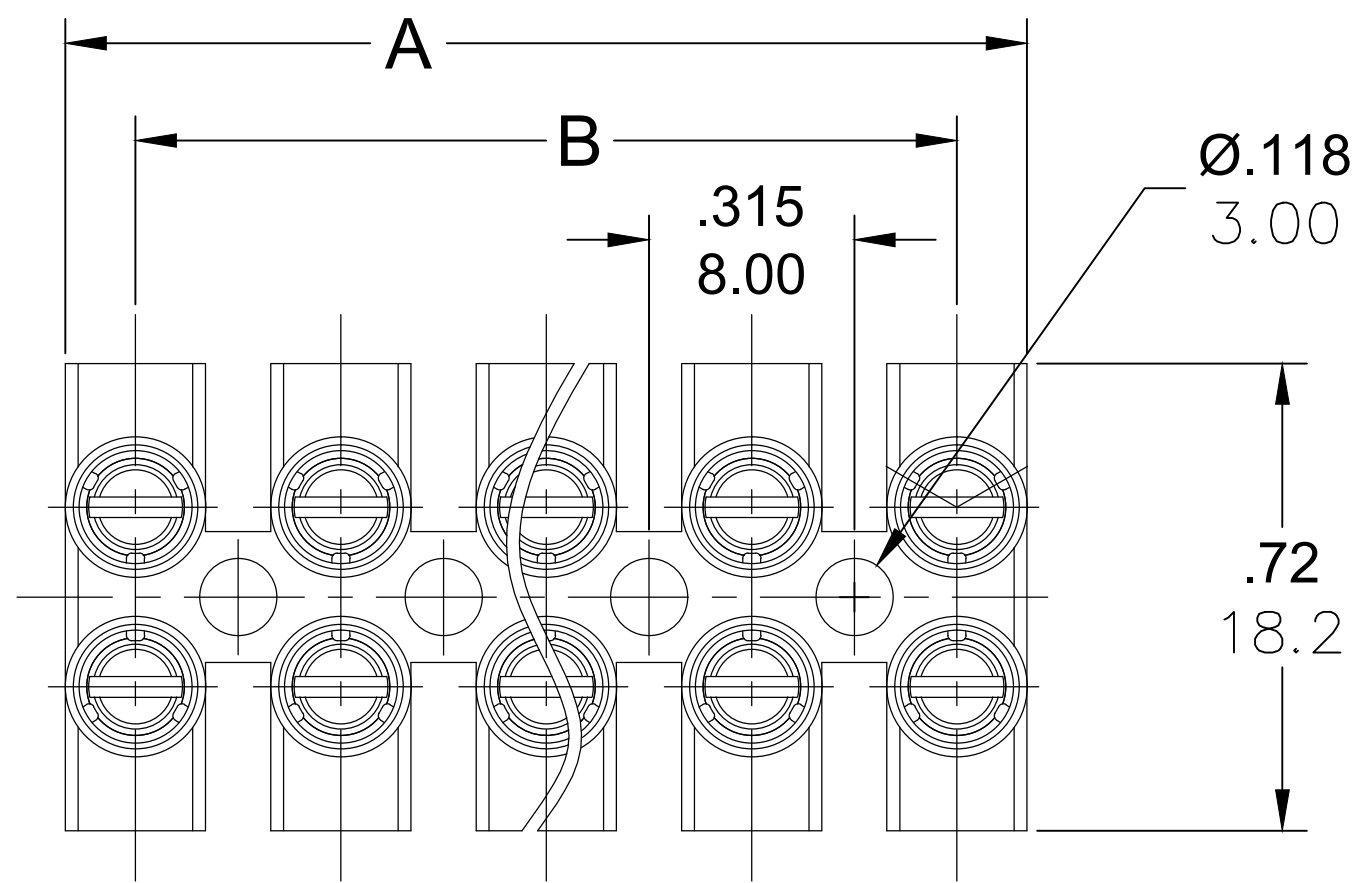
ENGINEERING NUMBER LEGEND



CONTACT FACTORY FOR OPTIONAL COLORS

SPECIFICATIONS:

- Material:
 - (A) Screw: Steel, Zinc plated
 - (B) Body: PA66 UL94 V-0
 - (C) Cage: Brass, Nickel plated
 - (D) Terminal: Stainless Steel
- Rating: 600V, 20amps
- Wire range: 22-12 AWG
- Max torque: 4.4 in lbs.
- Dielectric voltage withstand: DC 3000V for 1 minute.
- Insulation resistance: DC 1000V, 100GΩ
- Rated Impulse Voltage: 4000V, Plus and Minus 5 times each
- Strip Length: .20 in. (5.0mm)
- Operating Temperature: -40° C to +105° C
- Contact Resistance: < 3 mΩ
- All dims. shown are for reference only



ADDED MOISTURE NOTE EC NO.: IFC2016-1226 DRWN: RSTONE 3/7/16 CH'KD: MZIELINS 2016/03/10 APPR: KJOZWIK 2014/07/21	REV C	DESCRIPTION QUALITY SYMBOL ▽=0 ◁=0	GENERAL TOLERANCES (UNLESS SPECIFIED)		DIMENSION STYLE	SCALE	DESIGN UNITS	THIRD ANGLE PROJECTION				
					IN/MM	---	METRIC	TITLE				
					mm	INCH	DRAWN BY DATE		RSTONE 2014/07/07 CHECKED BY DATE G FARNSW APPROVED BY DATE JFMURPHY 2014/07/21			
					4 PLACES ±---	±---	DATE					
		3 PLACES ±---	±.005	DATE		THIS DRAWING CONTAINS INFORMATION THAT IS PROPRIETARY TO MOLEX INCORPORATED AND SHOULD NOT BE USED WITHOUT WRITTEN PERMISSION						
		2 PLACES ±0.13	±.01	DATE						MATERIAL NO. SEE CHART		
		1 PLACE ±0.3	±---	DATE		DOCUMENT NO. SD-39100-011						
		ANGULAR ±---		DATE						SIZE C		
		DRAFT WHERE APPLICABLE MUST REMAIN WITHIN DIMENSIONS		DATE		SHEET NO. 1 OF 1						