

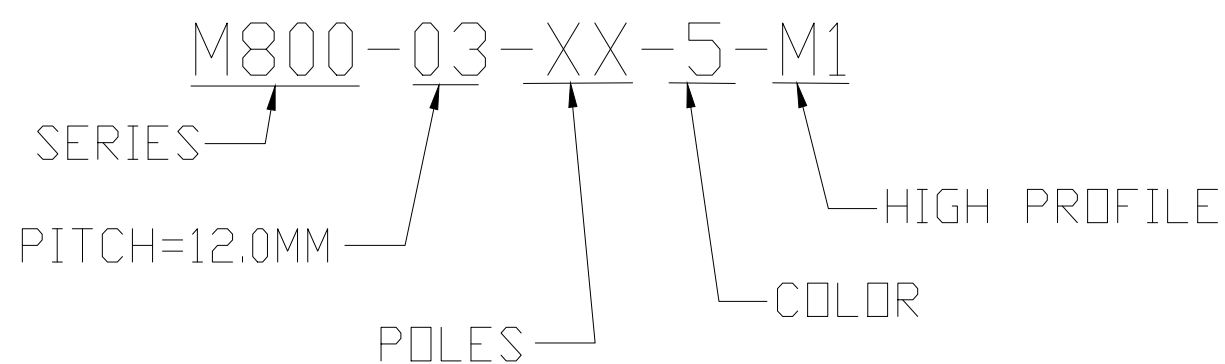
PART NUMBER DATA							
CIRCUITS	PART NUMBER	ENGINEERING NUMBER	COLOR	A IN mm		B IN mm	
2	391002202	M800-03-02-5-M1	WHITE	.79	20.0	.472	12.00
3	391002203	M800-03-03-5-M1	WHITE	1.26	32.0	.945	24.00
4	391002204	M800-03-04-5-M1	WHITE	1.73	44.0	1.417	36.00
5	391002205	M800-03-05-5-M1	WHITE	2.20	56.0	1.890	48.00
6	391002206	M800-03-06-5-M1	WHITE	2.68	68.0	2.362	60.00
7	391002207	M800-03-07-5-M1	WHITE	3.15	80.0	2.835	72.00
8	391002208	M800-03-08-5-M1	WHITE	3.62	92.0	3.307	84.00
9	391002209	M800-03-09-5-M1	WHITE	4.09	104.0	3.780	96.00
10	391002210	M800-03-10-5-M1	WHITE	4.57	116.0	4.252	108.00
11	391002211	M800-03-11-5-M1	WHITE	5.04	128.0	4.724	120.00
12	391002212	M800-03-12-5-M1	WHITE	5.51	140.0	5.197	132.00

REF. LAST 2 DIGITS OF PART NUMBER EQUAL CIRCUIT COUNT

NOTE: IF THIS PRODUCT IS STORED IN AN ENVIRONMENT WITH A RELATIVE HUMIDITY OF LESS THAN 50%, MOISTURE MUST BE ADDED. REFER TO TECHNICAL ADVISORY AS 45499-001 FOR INSTRUCTIONS.

Ⓒ

ENGINEERING NUMBER LEGEND

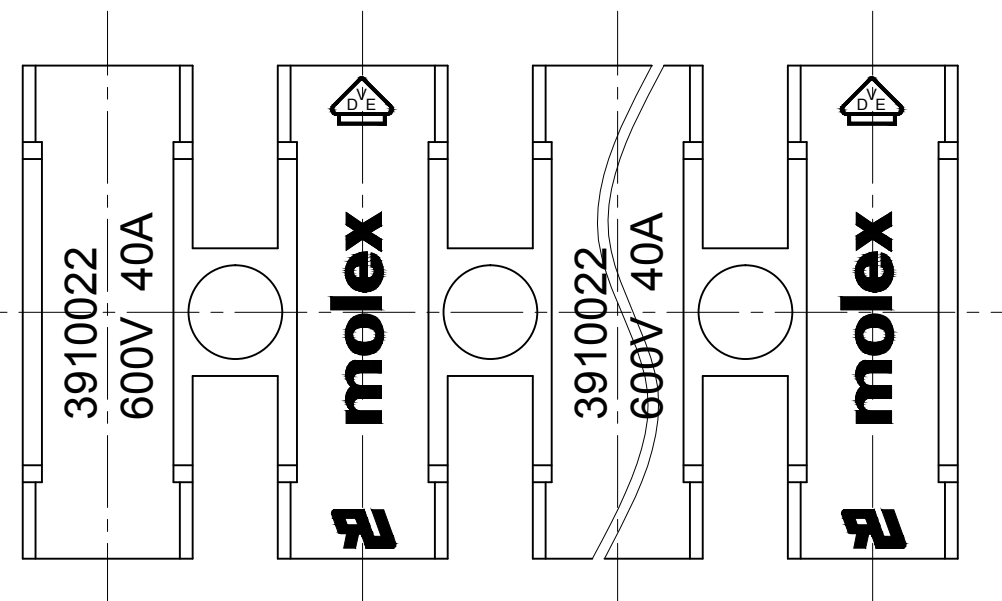
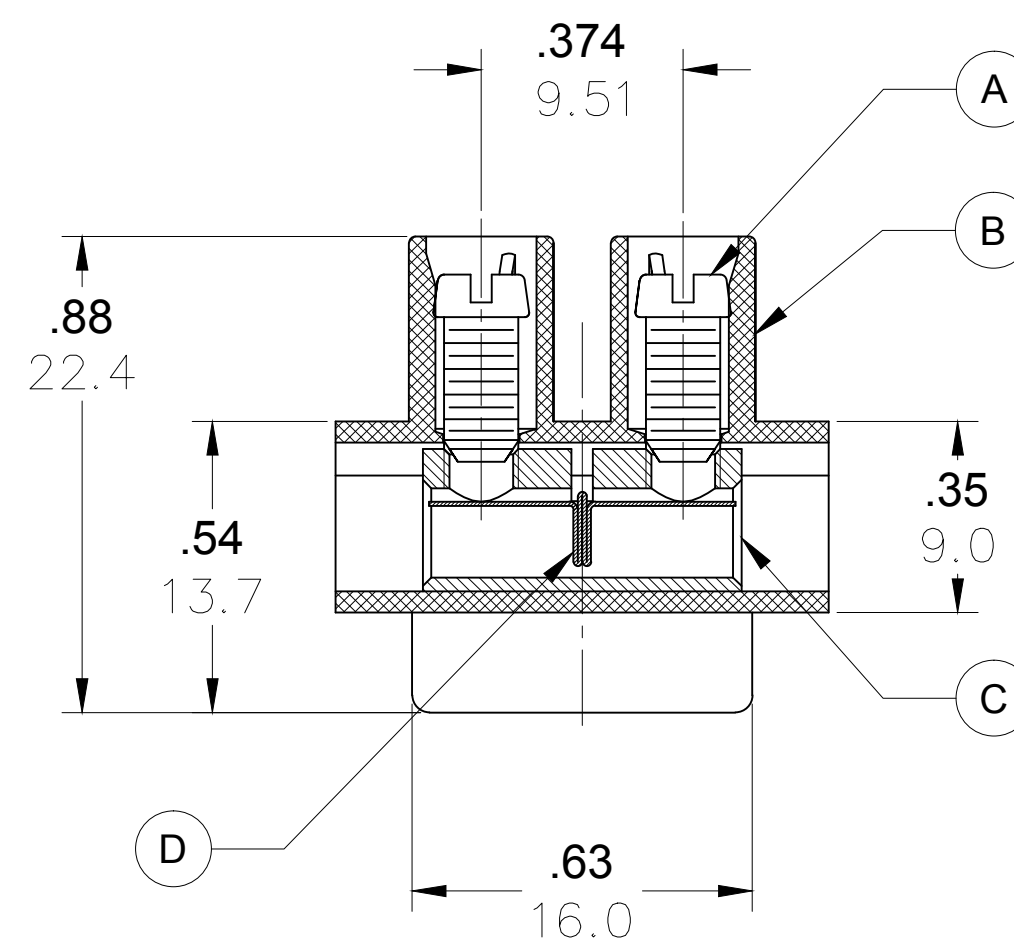
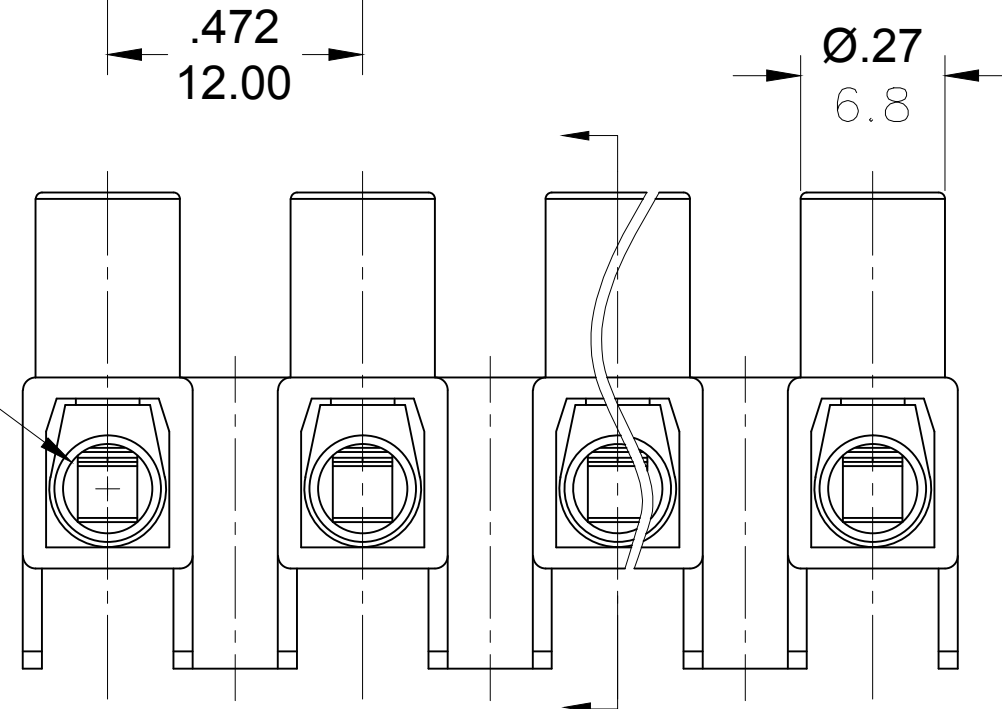
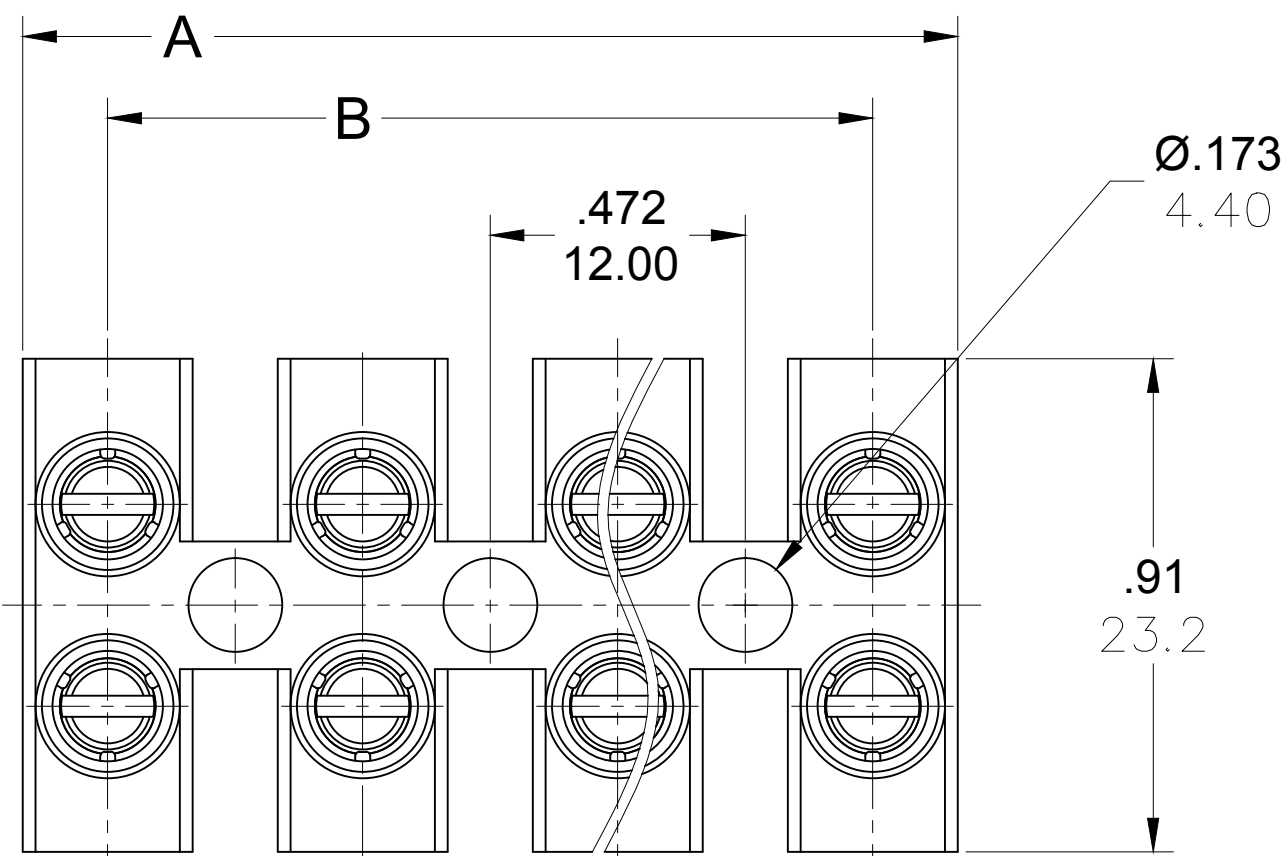


CONTACT FACTORY FOR OPTIONAL COLORS

SPECIFICATIONS:

- Material:
 - (A) Screw: Steel, Zinc plated
 - (B) Body: PA66 UL94 V-0
 - (C) Cage: Brass, Nickel plated
 - (D) Terminal: Stainless Steel
- Rating: 600V, 40amps
- Wire range: 20-8 AWG
- Max torque: 7.0 in lbs.
- Dielectric voltage withstand: DC 3000V for 1 minute.
- Insulation resistance: DC 1000V, 100GΩ
- Rated Impulse Voltage: 4000V, Plus and Minus 5 times each
- Strip Length: .24 in. (6.0mm)
- Operating Temperature: -40° C to +105° C
- Contact Resistance: < 3 mΩ
- All dims. shown are for reference only

Ø.165
4.20



ADDED MOISTURE NOTE EC NO: IPG2016-1226 DRWN: RSTONE 3/8/16 CHKD: MZIELINS 2016/03/10 APPR: KJOZWIK 2014/07/21	QUALITY SYMBOL ▽=0 ◁=0	GENERAL TOLERANCES (UNLESS SPECIFIED)		DIMENSION STYLE IN/MM		SCALE	DESIGN UNITS	THIRD ANGLE PROJECTION		
			mm	INCH	DRAWN BY	DATE	---	METRIC	TITLE TERMINAL STRIP 12MM HIGH PROFILE 600V	
		4 PLACES	±---	±---	RSTONE	2014/07/11	MOLEX INCORPORATED			
		3 PLACES	±---	±.005	G FARNSW	----	DOCUMENT NO. SD-39100-015			
	2 PLACES	±0.13	±.01	JFMURPHY	2014/07/21	MATERIAL NO. SEE CHART		SHEET NO. 1 OF 1		
	1 PLACE	±0.3	±---	ANGULAR ±---°		THIS DRAWING CONTAINS INFORMATION THAT IS PROPRIETARY TO MOLEX INCORPORATED AND SHOULD NOT BE USED WITHOUT WRITTEN PERMISSION				
	DRAFT WHERE APPLICABLE MUST REMAIN WITHIN DIMENSIONS		SIZE C							