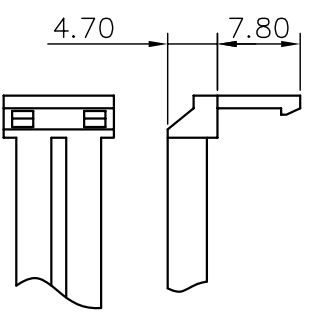
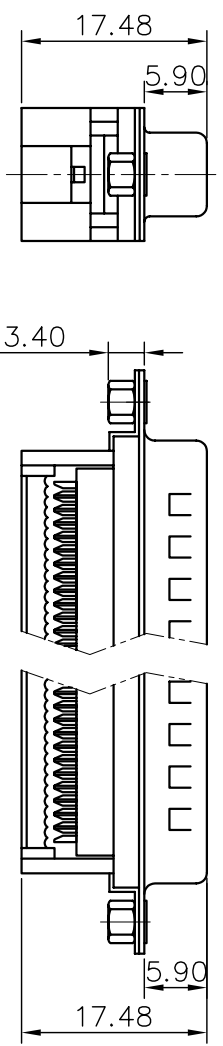
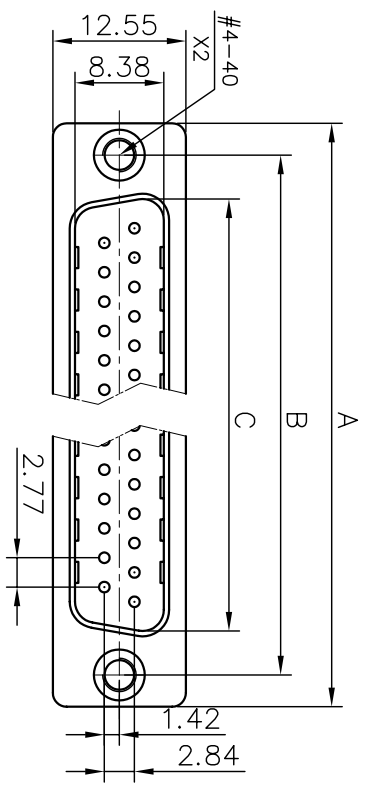


This document is the property of Amphenol Corporation and is delivered on the express condition that it is not to be disclosed, reproduced or used, in whole or in part, for any purpose other than that for which it was originally prepared without the prior consent, and that no right is granted to disclose or to use any information in this document.



Strain Relief

Customer drawing



Nb OF CONTACTS	A	B	C
09	30.84	24.99	16.92
15	39.24	33.32	25.50
25	53.04	47.04	38.96
37	69.32	63.50	55.42

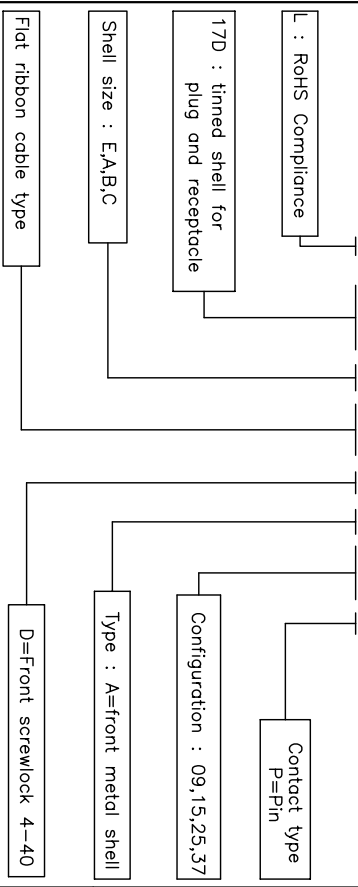
REVISIONS				
SM	EN	DESCRIPTION	DATE	APPROVED
1			11/26/08	

D-SUB TECHNICAL DATA

SHELL : Steel,100u"min tin over 50u"min nickel
BODY : Glass filled thermoplastic.
CONTACTS : Brass, Gold flash over 1.25um (50u") min nickel
REAR INSERT : Brass, nickel plated.
ELECTRICAL : Voltage rating : 250 V RMS at 60 Hz.
 Current rating 5A
 Insulation resistance >1000 M Ohms
 Contact resistance 20 mOhms max.
CLIMATIC : Temperature range -55°C up to 125°C
 Damp heat 56 days(40 °C-95% HR)
MARKING : Amphenol...(Series No.)
 Commercial reference
 Manufacturing date

PRODUCT CODE

L 17D XFRDAXXP



UNLESS OTHERWISE SPECIFIED TOLERANCES		APPROVAL	DATE
U.S.	METRIC	DRAWN	Checked and 11/26/08
.X	+/- 0.4	CHECKED	11k. Wang 11/26/08
.XX	+/- 0.30		
.XXX	+/- 0.20		
ANGLES +/-	2°		

FOR MATERIALS AND FINISHES REMOVE SHARP EDGES
 DIMENSIONS
 TYPICAL
 MIN

ANGLE OF PROJECTION

Amphenol®

DC Flat Cable D-Sub Series

SIZE: DRAWING NO. A4 C L17DXFRDAXXP
 SCALE: NONE SHEET 1 OF 1