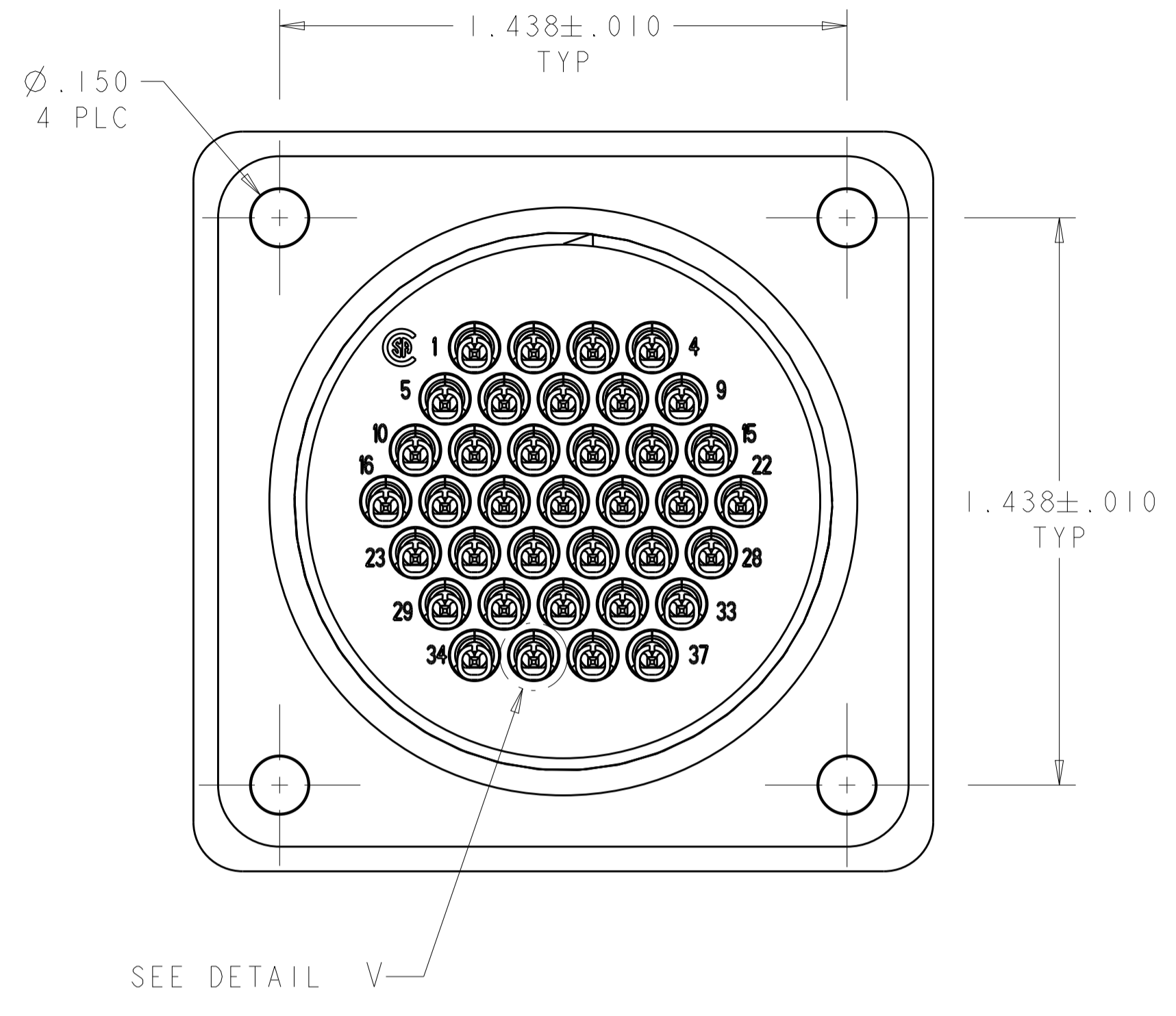
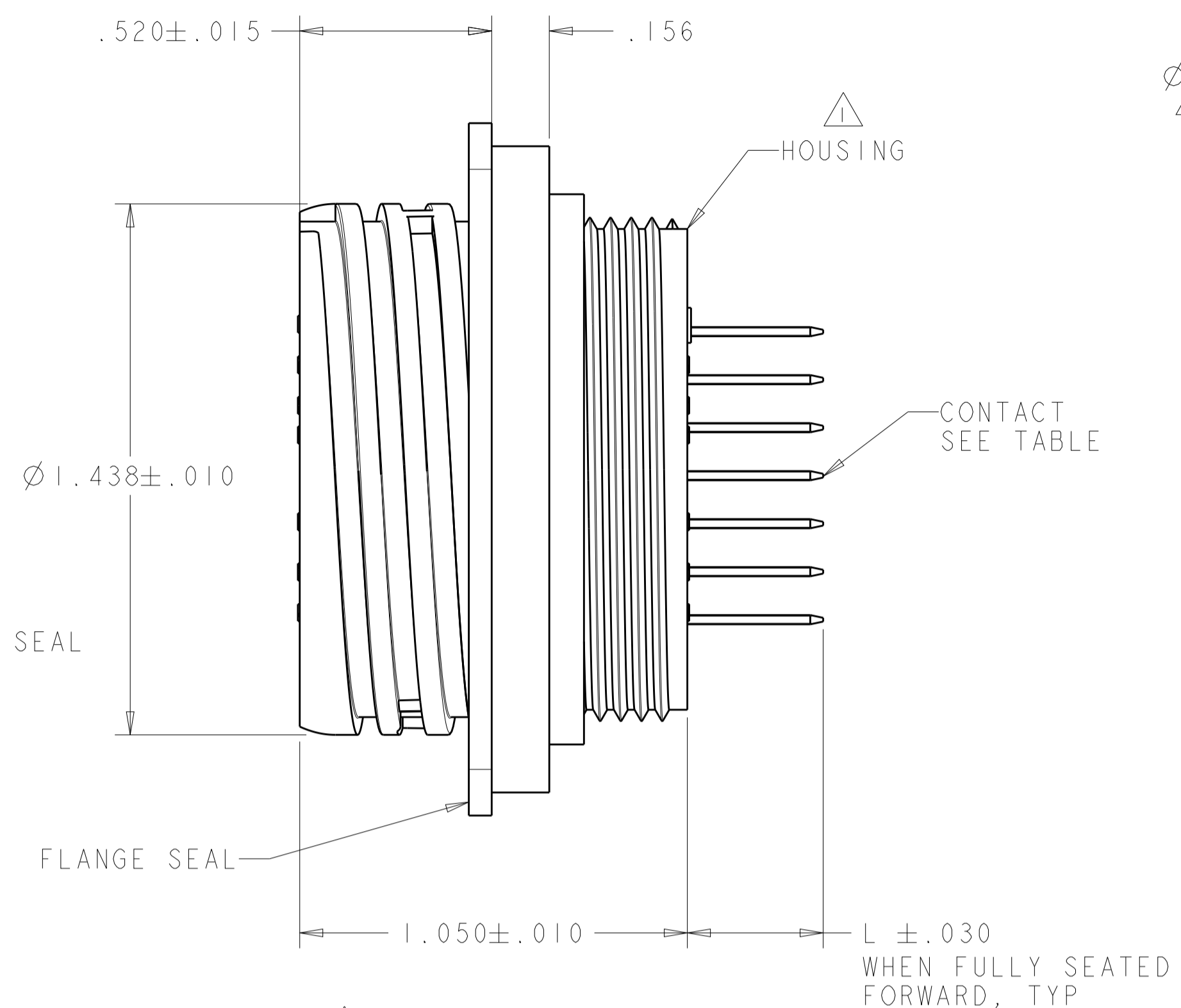
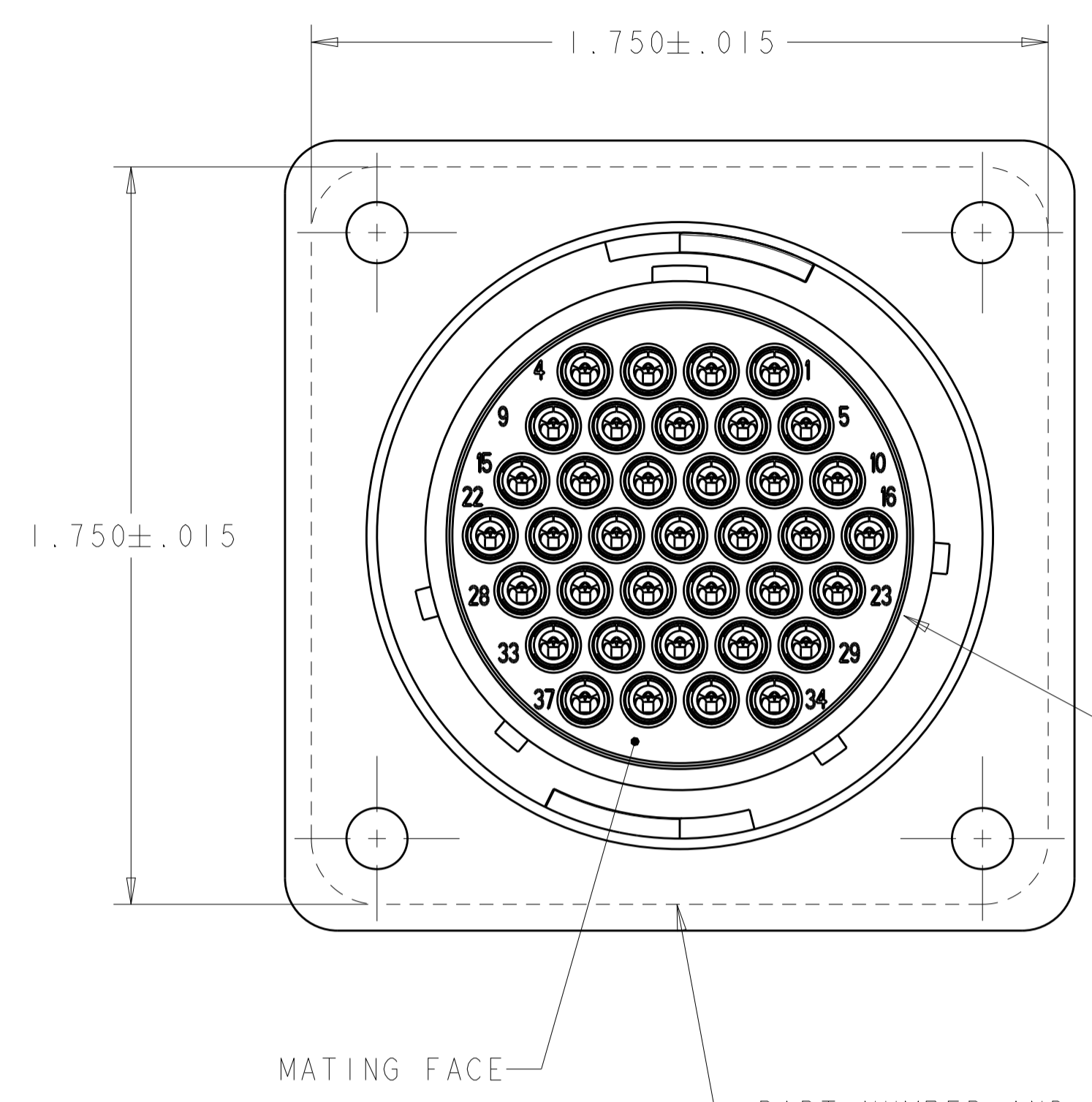
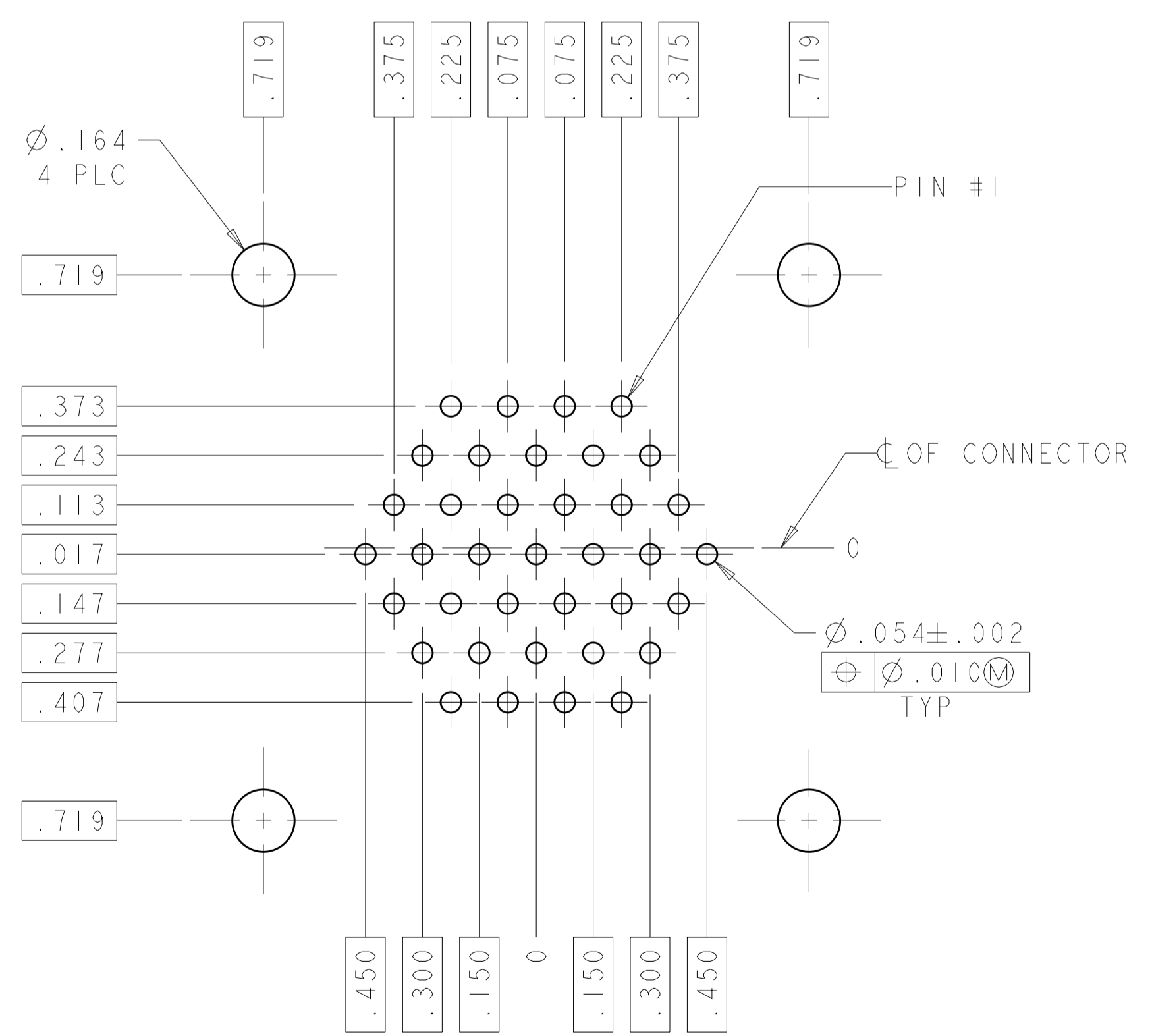
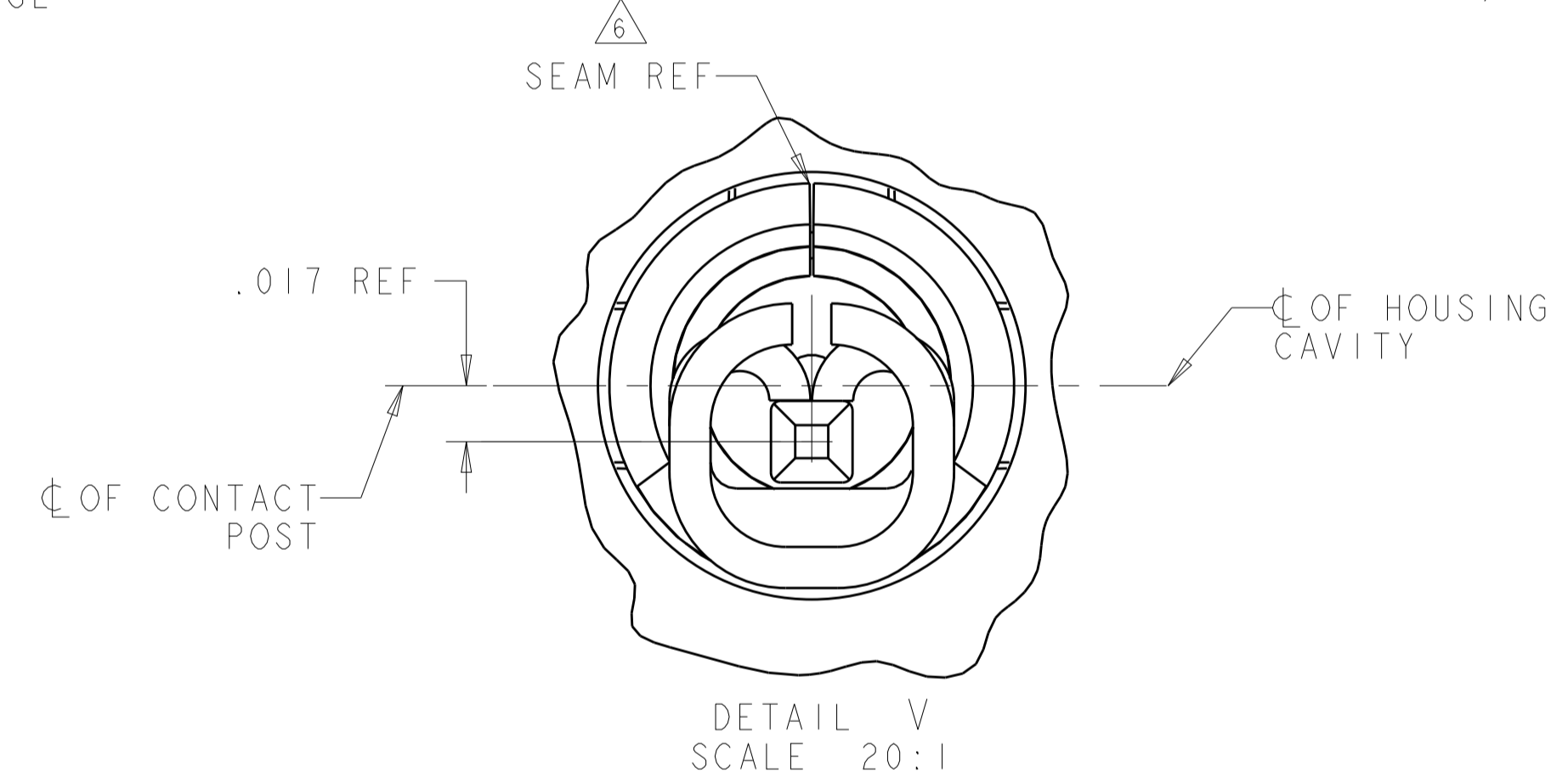


| REVISIONS | | | | |
|-----------|-----|---------------------------|-----------|-------|
| P. | LTN | DESCRIPTION | DATE | APVD |
| AF3 | | REVISED PER ECO-16-004800 | 07SEP2016 | NK MZ |



MATING FACE
PART NUMBER AND DATE CODE MARKED ON ANY FLANGE EDGE



- ① HOUSING: THERMOPLASTIC, COLOR: BLACK.
- ② PERIPHERAL SEAL: ELASTOMER, COLOR: GRAY.
- ③ CONTACT:
BODY - BRASS, .000030 MIN GOLD FOR A LENGTH OF .200 MIN FROM MATING END, GOLD FLASH ON REMAINDER, BOTH OVER .000050 MIN NICKEL.
POST - BRASS, .000100 MIN TIN-LEAD OVER .000100 MIN COPPER.
- ④ CONTACT:
BODY - BRASS, .000100 MIN TIN-LEAD OVER .000050 MIN NICKEL.
POST - BRASS, .000100 MIN TIN-LEAD OVER .000100 MIN COPPER.
- ⑤ CONTACT:
BODY - BRASS, .000100 MIN TIN OVER .000050 MIN NICKEL.
POST - BRASS, .000100 MIN TIN OVER .000050 MIN NICKEL.
- ⑥ .009 MAXIMUM CONTACT LEAD-IN SEAM GAP PERMISSIBLE ON MATING FACE END.
- ⑦ CONTACT:
BODY - BRASS, .000030 MIN GOLD FOR A LENGTH OF .200 MIN FROM MATING END, GOLD FLASH ON REMAINDER, BOTH OVER .000050 MIN NICKEL.
POST - BRASS, .000100 MIN TIN OVER .000100 MIN COPPER.
- ⑧ CONTACT:
BODY - BRASS, .000100 MIN TIN OVER .000050 MIN NICKEL.
POST - BRASS, .000100 MIN TIN OVER .000100 MIN COPPER.
- ⑨ FLANGE SEAL: ELASTOMER, COLOR: BLACK.

| NO | NO | .547 | ⑦ | ALL | 2-208224-9 | |
|-------------|-----|------|------|-------------------|--------------------|------------|
| PRELIMINARY | NO | .490 | ⑦ | ALL | 2-208224-8 | |
| | YES | .368 | ⑦ | 1-17, 19-37 | 2-208224-5 | |
| | NO | .557 | ③ | 1-9, 11-31, 33-37 | 2-208224-4 | |
| | NO | .557 | ③ | ALL | 2-208224-3 | |
| | NO | .368 | ① | ALL | 2-208224-2 | |
| | NO | .557 | ⑦ | ALL | 2-208224-1 | |
| OBSOLETE | NO | YES | .368 | ⑧ | 1-10, 12-29, 31-37 | +208224-8 |
| | NO | YES | .368 | ⑧ | 4,8,10,23,31,34-36 | +208224-7 |
| | NO | YES | .368 | ⑧ | 1-10, 12-29, 31-37 | +208224-6 |
| | NO | YES | .368 | ⑤ | 1-22, 24-37 | +208224-5 |
| | NO | NO | .368 | ⑤ | ALL | +208224-3 |
| | NO | YES | .368 | ⑤ | 1-10, 12-29, 31-37 | +208224-2 |
| | NO | YES | .368 | ⑤ | 1-22, 24-37 | +208224-1 |
| | NO | YES | .368 | ④ | 1-10, 12-29, 31-37 | 1-208224-0 |
| OBSOLETE | NO | NO | .368 | ③ | ALL | 208224-9 |
| | NO | YES | .368 | ④ | 1-22, 24-37 | 208224-5 |
| OBSOLETE | NO | YES | .368 | ④ | 4,8,10,23,31,34-36 | 208224-4 |
| | NO | YES | .368 | ④ | 1-10, 12-29, 31-37 | 208224-3 |
| | NO | NO | .368 | ④ | ALL | 208224-2 |
| | NO | NO | .557 | ③ | ALL | 208224-1 |

THIS DRAWING IS A CONTROLLED DOCUMENT. DWN S. WELDON 26FEB2003
CHK S. HEADER 26FEB2003
APVD S. HEADER 26FEB2003

TE Connectivity

RECEPTACLE ASSEMBLY, POSTED, REVERSE SEX, SERIES 1, 23-37, CPC

SIZE: CAGE CODE: DRAWING NO: A100779C=208224
SHEET 1 OF 1
SCALE 3:1
REV AF3

RECOMMENDED PC BOARD LAYOUT