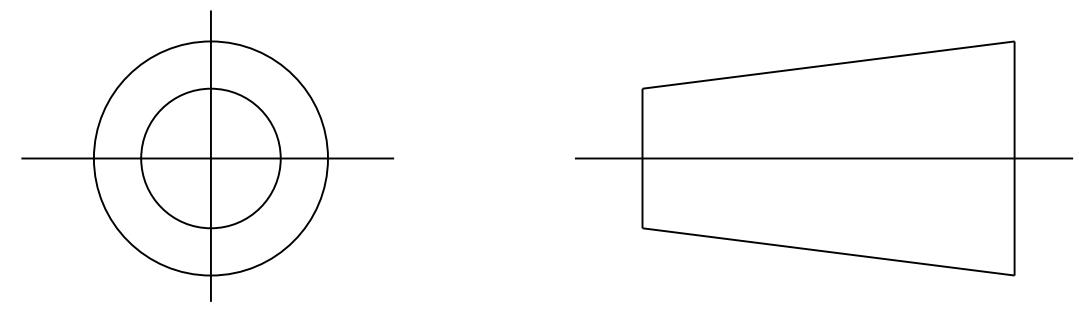


DRAWING No.
152100

SHT. 1
OF
1 SHTS.

© THE COPYRIGHT OF THIS DRAWING IS RESERVED BY HELLERMANN TYTON. IT IS ISSUED ON CONDITION THAT IT IS NOT COPIED, REPRODUCED OR DISCLOSED TO A THIRD PARTY EITHER WHOLLY OR IN PART WITHOUT THE CONSENT IN WRITING OF HELLERMANN TYTON.

THIRD ANGLE PROJECTION

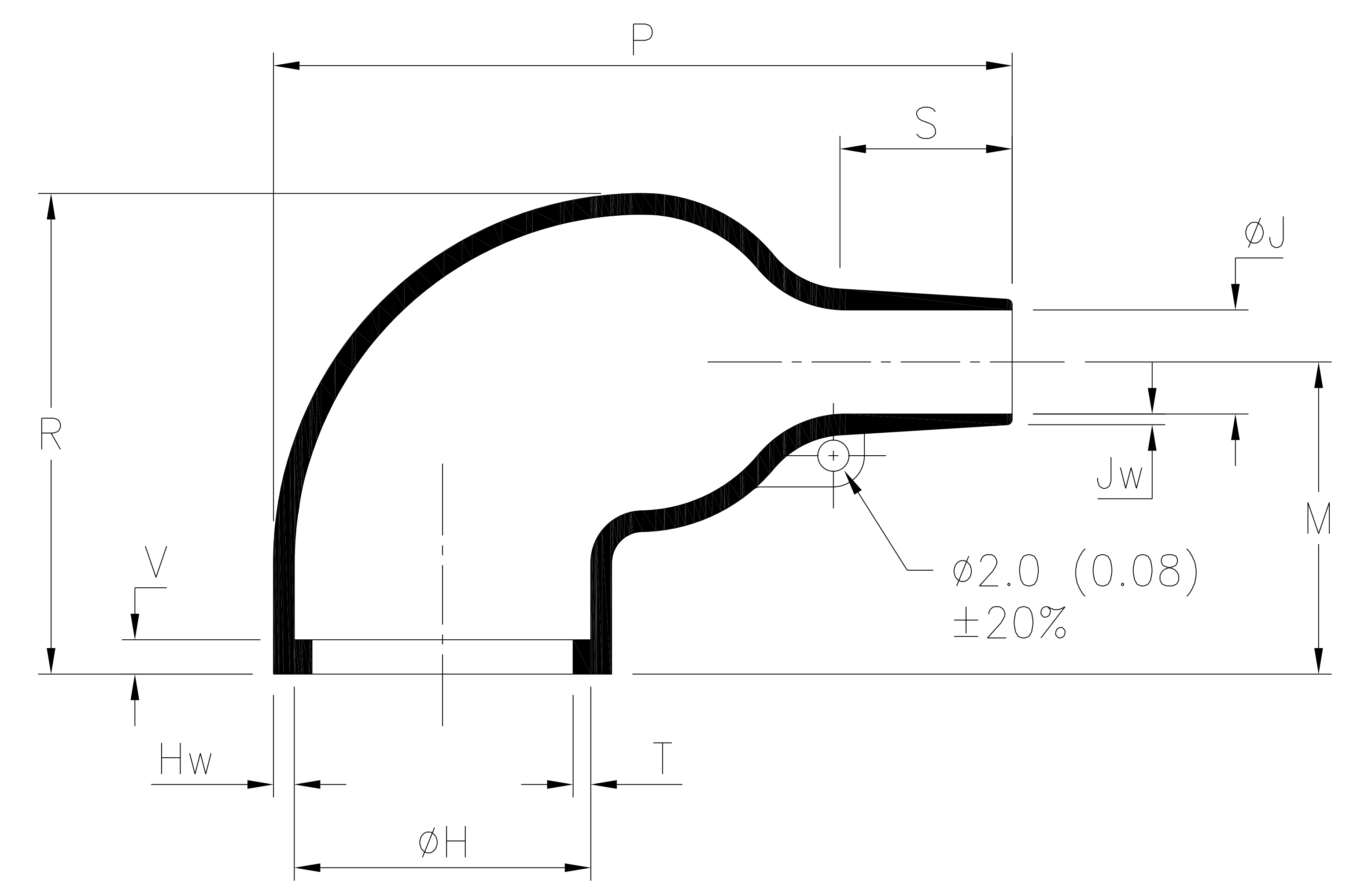


BS 8888

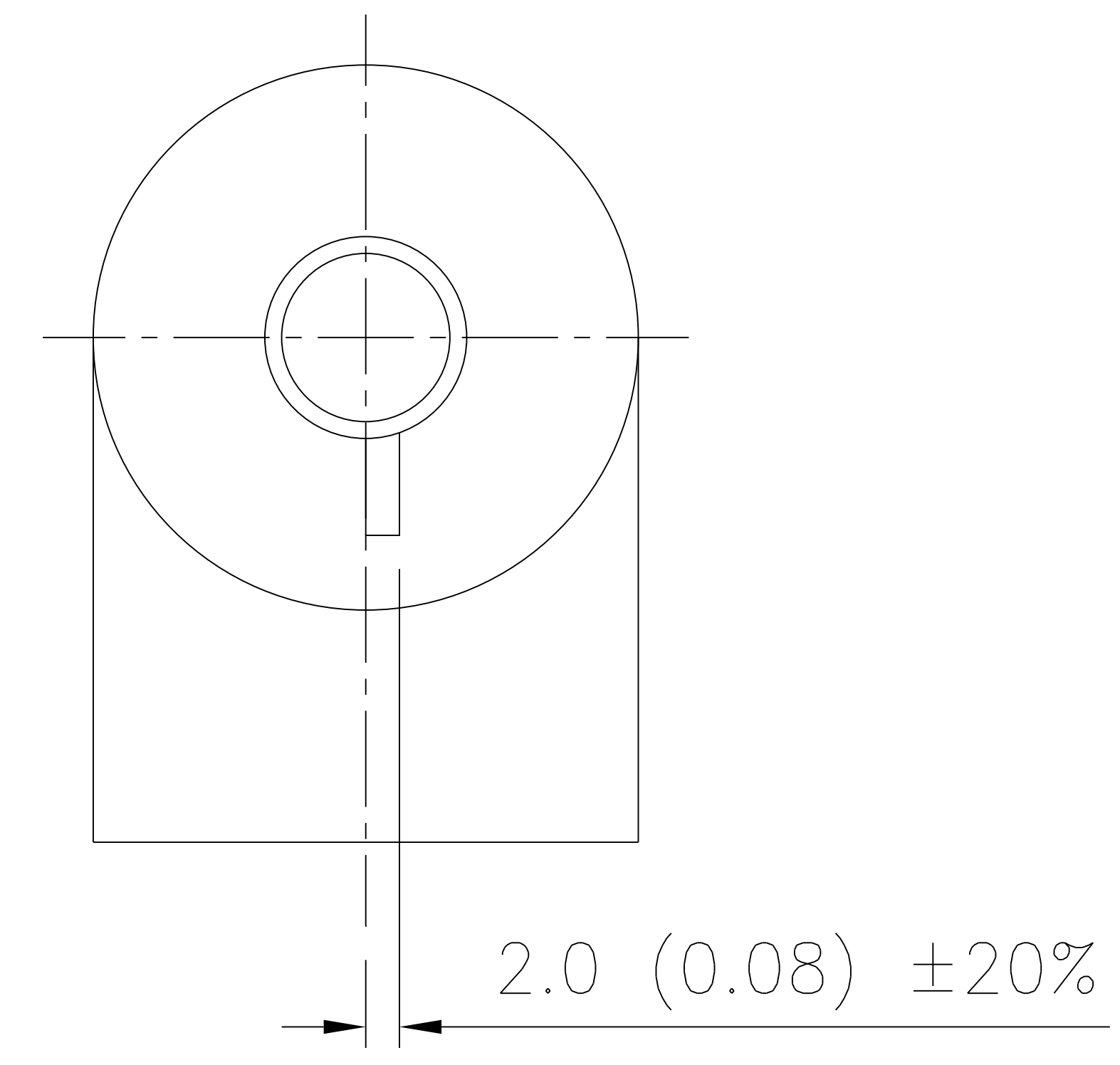
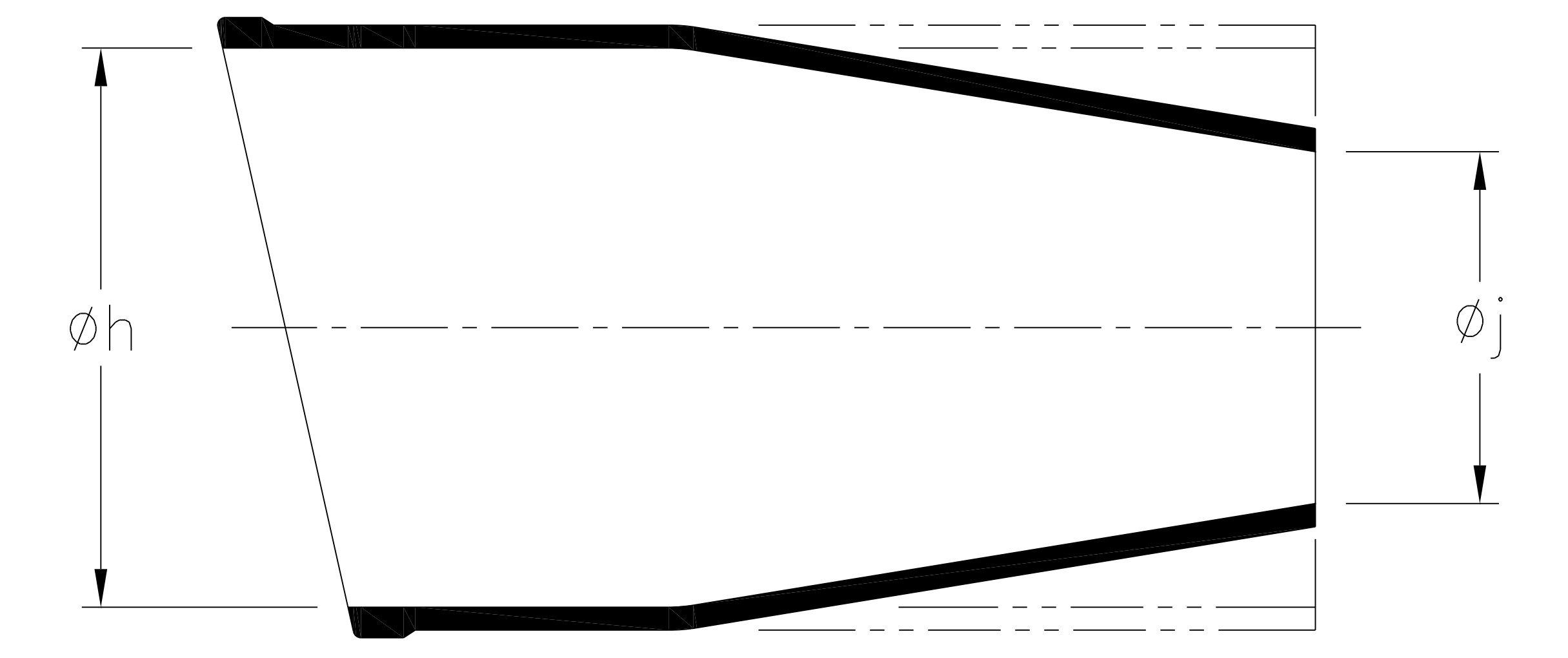
DO NOT SCALE
IF IN DOUBT ASK

Q.A.	H/S SETT
H/S Q.A.	REL. INSP.
H/S PROD	EXT.ISS.CODE

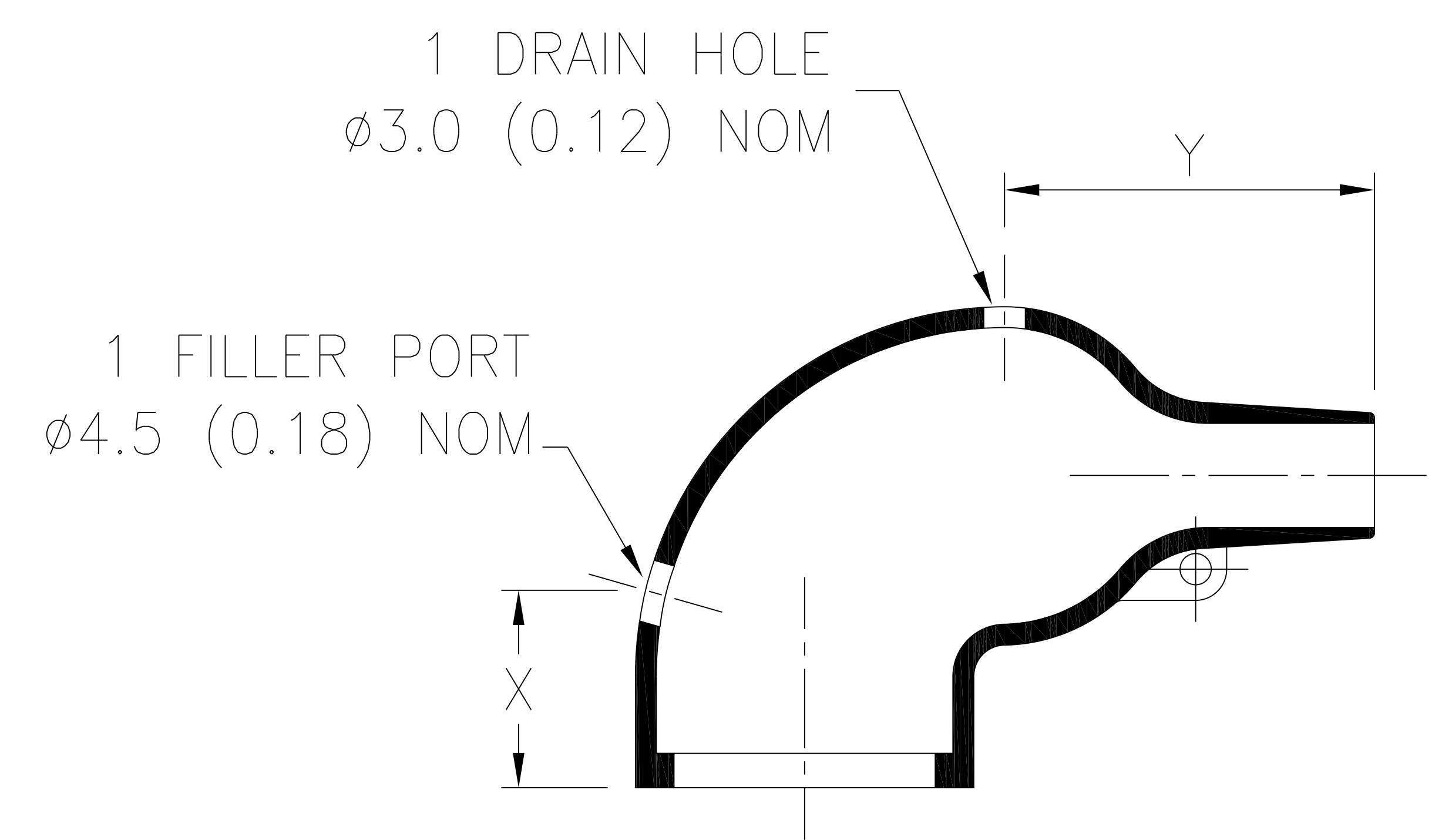
STANDARD PART (AFTER UNRESTRICTED RECOVERY)



EXPANDED (AS SUPPLIED)



OPTION TO STANDARD PART
FILLER PORT (CODE P)



SPEC.	PART No.	EXPANDED DIAMETERS (AS SUPPLIED)		RECOVERED DIAMETERS		RECOVERED DIMENSIONS							
		phi_h	phi_j	phi_H	phi_J	M	P	R	S	T	V	Hw	Jw
		MIN	MIN	MAX	MAX	NOM	±20%	±10%	NOM	±20%	MAX	±20%	±30%
VG 95343 T06E001A	1152-4	24 (0.94)	24 (0.94)	10.5 (0.41)	6 (0.24)	19 (0.75)	32 (1.26)	25 (0.98)	10 (0.39)	1.0 (0.04)	3.3 (0.13)	1.3 (0.05)	1.0 (0.04)
-	1152-6	24 (0.94)	14 (0.55)	10.5 (0.41)	6 (0.24)	19 (0.75)	32 (1.26)	25 (0.98)	10 (0.39)	1.0 (0.04)	3.3 (0.13)	1.3 (0.05)	1.0 (0.04)
-	1152-50	24 (0.94)	12 (0.47)	10.5 (0.41)	6 (0.24)	19 (0.75)	32 (1.26)	25 (0.98)	10 (0.39)	1.0 (0.04)	3.3 (0.13)	1.3 (0.05)	1.0 (0.04)

OPTIONAL FILLER PORT DETAIL			
SPEC.	PART No.	RECOVERED DIMENSIONS	
		X	Y
		±20%	±20%
VG 95343 T07E001A	1152-4	18 (0.71)	16 (0.63)
-	1152-6	18 (0.71)	16 (0.63)
-	1152-50	18 (0.71)	16 (0.63)

6	P1499	GL	24/02/15
5	P1362	DJC	05/10/11
4	P1329	G.B.	11/10/10
3	P1245	G.B.	08/12/08
2	P1244	G.B.	19/11/08
ISSUE	NOTE No.	DRAWN	DATE

HellermannTyton
William Prance Road,
Plymouth International Med. & Tech. Park,
Plymouth, PL6 5WR
Tel ++44 (0) 1752 701261
Fax ++44 (0) 1752 790058

NAME	S.Almond	SCALE	NTS
DATE	18/04/08	DIMS IN	mm (in)
TITLE	RT. ANGLE SLEEVE		

ADHESIVE	A3	SHT. 1
	ORIGINAL SHEET SIZE 420mm x 297mm	OF 1 SHTS.
PART No.	1152	DRAWING No.
		152100