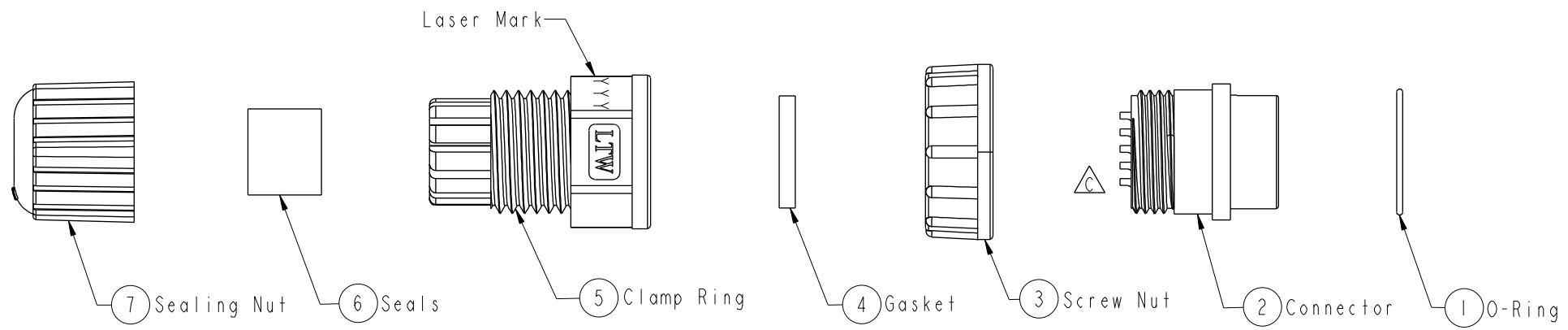


THIS DOCUMENT IS SUBJECT TO CHANGE WITHOUT NOTICE. IT IS CONFIDENTIAL AND A PROPERTY OF AMPHENOL LTW. DISCLOSURE TO THIRD PARTY HAS TO BE AUTHORIZED BY AMPHENOL LTW.

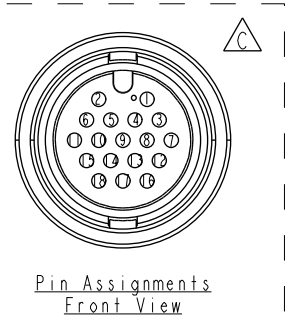
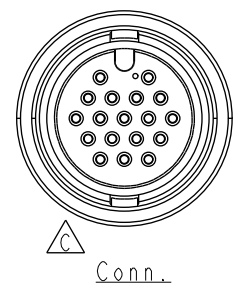
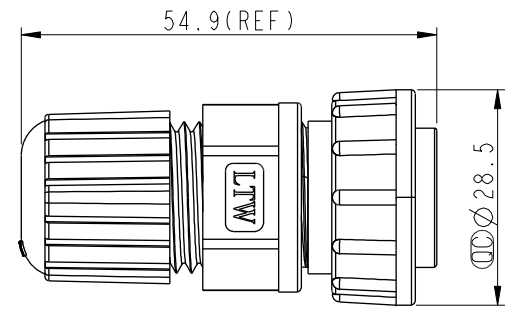
REV.	ECN NO.	DATE	SIGN	DESCRIPTION
B	LEN-860090	2008/06/02	Vicky	Add laser mark.
C	LEN-0C0605	2010/11/26	Ivan	Change View



ALTW
 CONFIDENTIAL
 2012-05-23
 R&D DEPT.

ALTW
 DCC. DEPT.
 CONFIDENTIAL
 2012-06-22
ISSUED

- Note:
- * \varnothing Important Dimension To Check.
 - * Waterproof Rate: IP67
 - * Housing: Nylon+GF, Black
 - * Female Pin: Copper Alloy, Gold Plated
 - * Liquid Glue: Clear
 - * O-Ring: EPDM, Black
 - * Lock Nut: Nylon+GF, Black
 - * Gasket: Black, Silicone
 - * Clamping Ring: Nylon, Black
 - * Seals: EPDM, Black
 - * Sealing Nut: Nylon, Black
 - * Seals for Cable OD: $\varnothing 5.5\text{m} \sim \varnothing 10.8\text{mm}$
 - * One Set Unassembled in One PE Bag
 - \triangle * Laser Mark: 工單號碼(6碼)
字型 Simplex; 字高 2mm.



UNIT: mm		
TOLERANCE	.X	± 0.25
	.XX	± 0.1
	.XXX	± 0.05
ANGLES		$\pm 1^\circ$

TITLE Large Assy Lock 18Pin F Conn F Pin			
SCALE 1:1	SIZE A4	SHEET 1 OF 1	
REV. C	WC-REV. A.2	\varnothing : Inspection item	

Amphenol LTW
 安費諾亮泰企業股份有限公司

ITEM NO. DD-18BFFA-LL7001	DRAWN BY SamChang	DATE 2012-05-23
DWG NO. DD-18BFFA-LL7001	CHECKED BY Jeffrey	DATE 2012-06-22
CUSTOMER ALTW	APPROVED BY Lion	DATE 2012-06-22