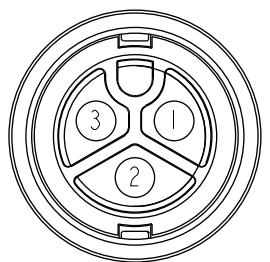
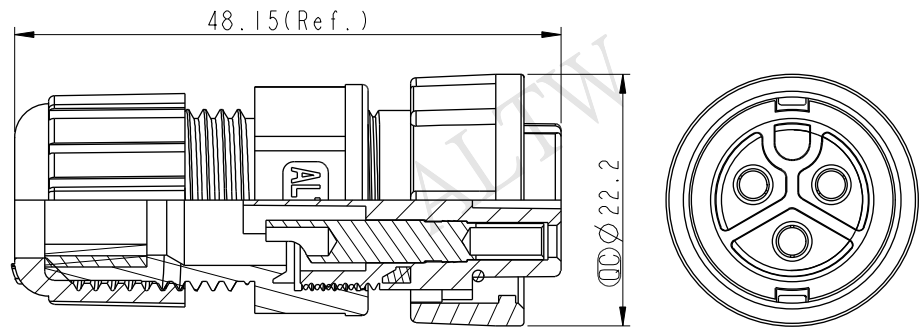
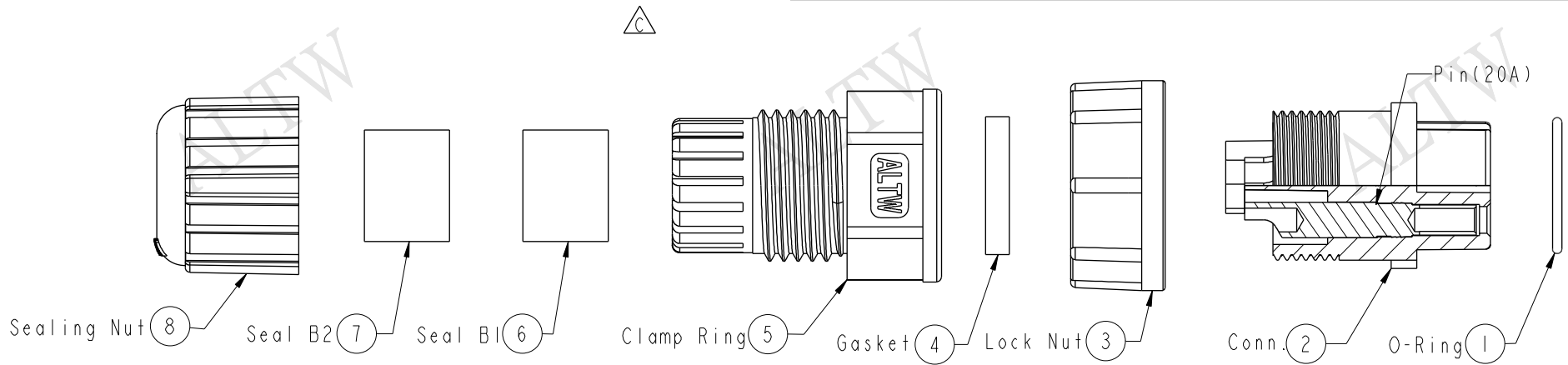
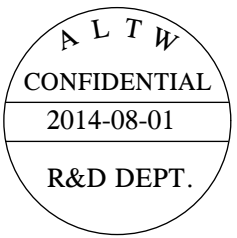


REV.	ECN NO.	DATE	SIGN	DESCRIPTION
B	LEN-020038	2010/01/20	Vicky	Remove Note.
C	LEN1480171	2014/08/01	Aric	Change Old Logo To New Logo.



Pin Assignments
Front View



- Notes:
- * \varnothing Important Dimensions To Check.
 - * Waterproof Rate: IP67.
 - * Housing: Nylon+GF, Black.
 - * Female Pin: Copper Alloy, Gold Plated.
 - * O-Ring: Silicon, Gray.
 - * Lock Nut: Nylon+GF, Black.
 - * Gasket: Silicon, Gray.
 - * Clamp Ring: PPO, Black.
 - * Sealing Nut: Nylon+GF, Black.
 - * Seal B1 For Cable OD: \varnothing 7.6mm~9.6mm.
 - * Seal B2 For Cable OD: \varnothing 4.0mm~7.6mm.

UNIT:mm			TITLE Power, Assy Lock 3Pins F Conn. F Pin 20Amps			ITEM NO PWC-03BFFA-LL7001	DRAWN BY Aric	DATE 2014-08-01
			SCALE 3:2	SIZE A4	SHEET 1 OF 1	DWG NO PWC-03BFFA-LL7001	CHECKED BY Kris	DATE 2014-08-01
TOLERANCE .X ±0.25 .XX ±0.1 .XXX ±0.05 ANGLES ±1°	REV. C	WC-REV. A.4	\varnothing : Inspection item		CUSTOMER ALTW	APPROVED BY Wen	DATE 2014-08-01	
			Amphenol LTW 安費諾亮泰企業股份有限公司					

THIS DOCUMENT IS SUBJECT TO CHANGE WITHOUT NOTICE. IT IS CONFIDENTIAL AND A PROPERTY OF AMPHENOL LTW. DISCLOSURE TO THIRD PARTY HAS TO BE AUTHORIZED BY AMPHENOL LTW.