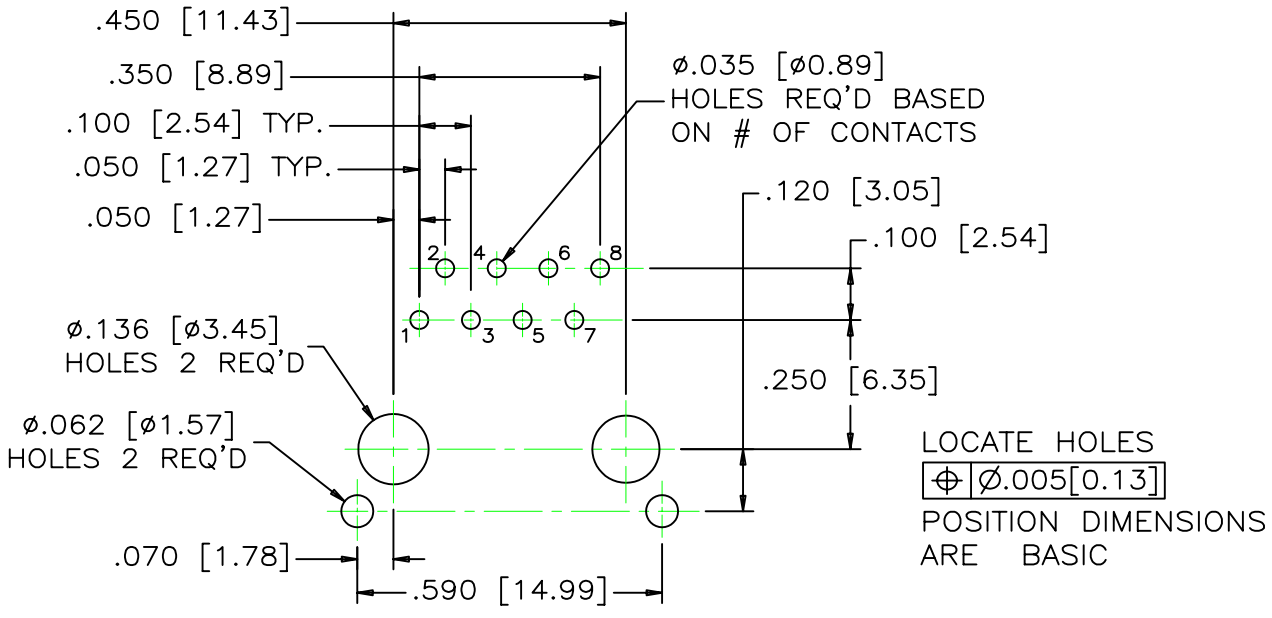
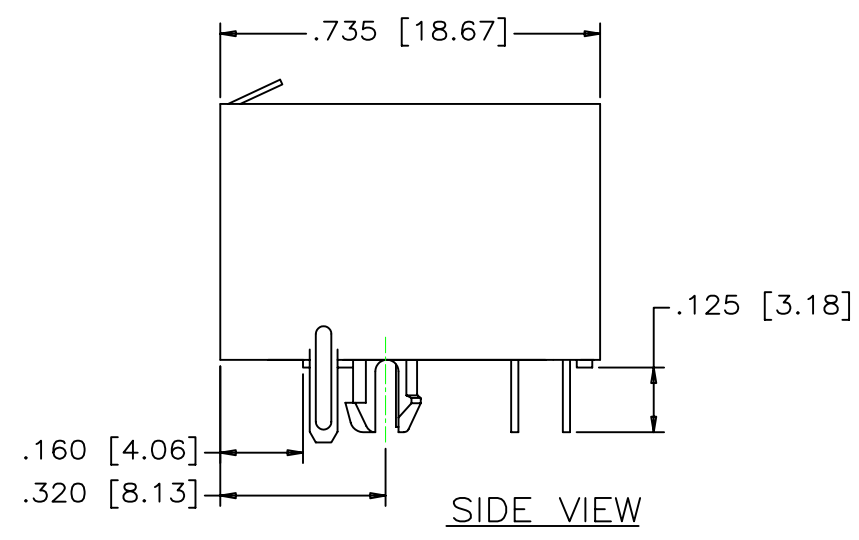
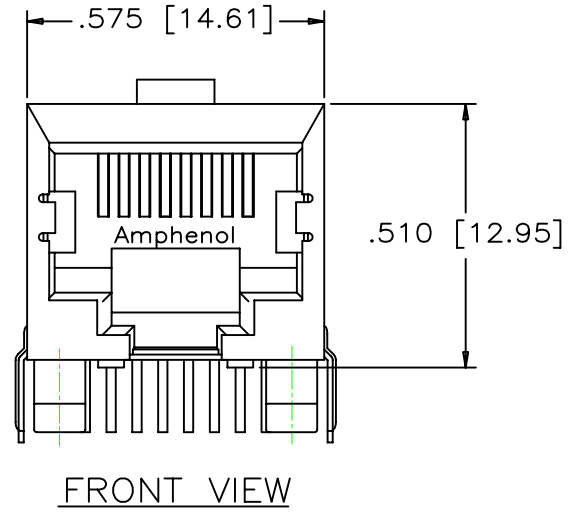


REVISIONS				
SYM	ZONE	ECN, ERN NO.	DATE	APPRD.
A		PROPOSAL	05/10/11	L.CHAN



MATERIALS:
 PLASTIC HOUSING: HIGH TEMPERATURE ENGINEERING THERMOPLASTIC
 FLAMMABILITY RATING UL 94V-0

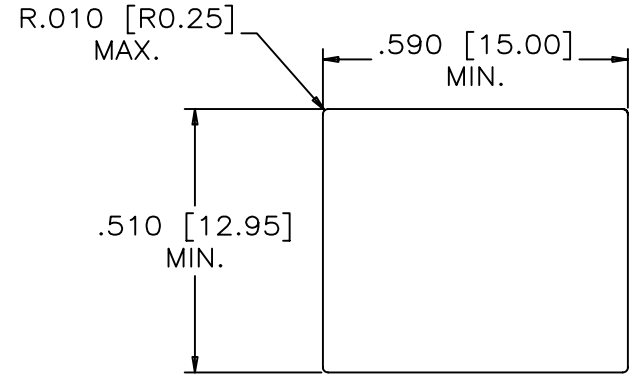
CONTACTS:
 PHOSPHOR BRONZE
 PLATING: 50 μ " [1.27 MICRONS]
 MIN. GOLD ON MATING SURFACES.
 50 μ " [1.27 MICRONS]
 MIN. NICKEL UNDERPLATE
 GOLD FLASH ON CONTACT TAILS.

SHIELD:
 COPPER ALLOY
 PLATING: NICKEL

RECOMMENDED P.C.B. LAYOUT
 (COMPONENT SIDE OF BOARD)
 (FRJA-438 SHOWN, FOOTPRINT FOR OTHER
 PART NUMBERS BASED ON
 # OF CONTACTS & RELATED POSITIONS)

PART NUMBER: FRJAE-43X

CONTACTS:
 2 = 2 CONTACTS LOADED IN POSITION 4 & 5.
 4 = 4 CONTACTS LOADED IN POSITION 3 TO 6.
 6 = 6 CONTACTS LOADED IN POSITION 2 TO 7.
 8 = 8 CONTACTS LOADED IN POSITION 1 TO 8.
 C = 2 CONTACTS LOADED IN POSITION 3 & 6.



RECOMMENDED PANEL CUTOUT

DRAWN	PAULW	DATE	05/10/11
DESIGNED			
CHECKED	CHIGOW	DATE	05/10/11
I. E. APPRD.			
Q. A. APPRD.			
DWG. APPRD.			
ENG. REL. NO.			
REF.			
DIMENSIONS ARE IN	CODE ID. NO.		
INCHES [mm]	03554		

Amphenol Canada Corp.			
TITLE MODULAR JACK, 8 POSITIONS, WITHOUT FERRITE, SHIELDED, WITH FRONT PCB TAILS, RoHS COMPLIANT			
DWG	DRAWING NO.	REV.	
	P-FRJAE-43X	A	
SCALE	WT. -----	SURF. -----	SHEET 1 OF 1

THIS DOCUMENT CONTAINS PROPRIETARY INFORMATION AND SUCH INFORMATION
 MAY NOT BE DISCLOSED TO OTHERS FOR ANY PURPOSE OR USED FOR MANUFACTURING
 PURPOSES WITHOUT WRITTEN PERMISSION FROM AMPHENOL CANADA CORP.