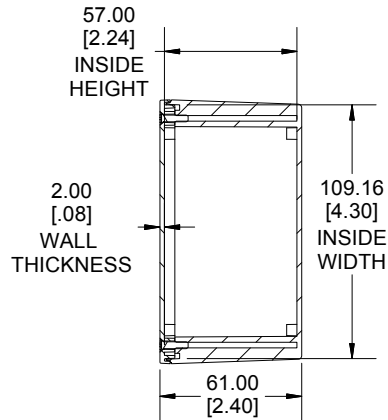
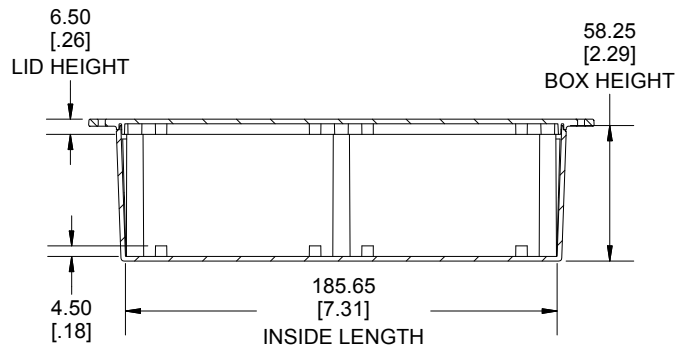
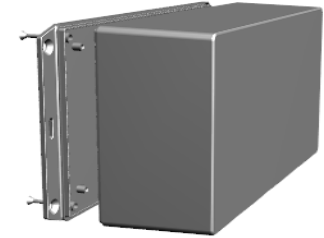


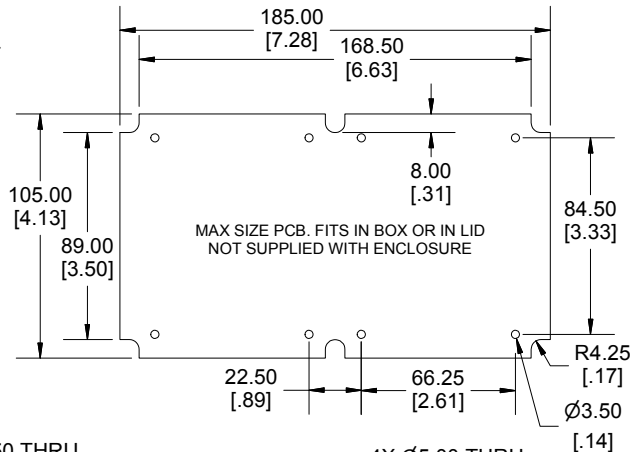
**TOP VIEW**



**SECTION B-B  
END VIEW**

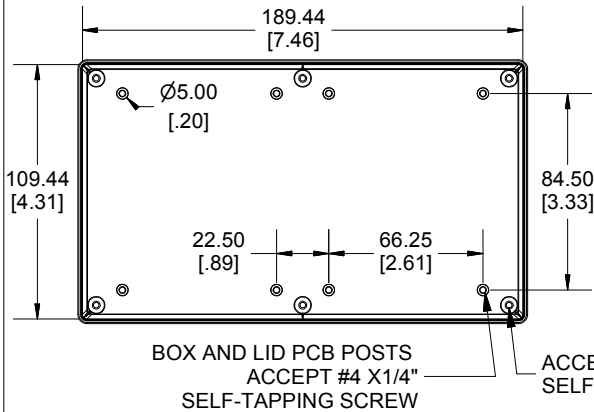


**SECTION A-A  
SIDE VIEW**

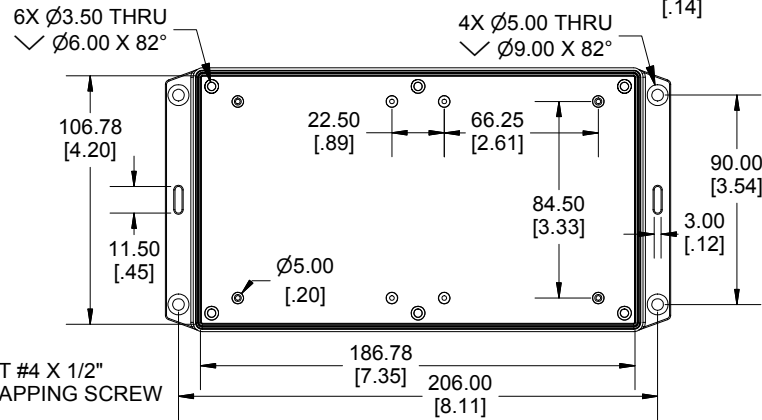


MAX SIZE PCB. FITS IN BOX OR IN LID  
NOT SUPPLIED WITH ENCLOSURE

Enclosures can be Factory Modified ( Milling, Drilling, Printing etc.)  
Contact Factory [mjm@hammondmfg.com](mailto:mjm@hammondmfg.com) for quotes  
Solid models of this enclosure available in STEP or IGES.  
(Part number and text placement/orientation on our products are subject to change,  
we do not recommend using them as a locating reference for modification purposes)



**INSIDE BOX**



**INSIDE LID**

**NOTE**

Purchased assembly includes box, lid and Enclosure molded from GPABS Plastic.	
Other materials / colours available consult factory.	
<b>Recommended Torque : (35-43) Ozf.in / (25-30) cN.m</b>	

<b>PART NUMBERS</b>	
1591XXESFL Enclosure	
Black Textured Enclosure	1591XXESFLBK
<b>ACCESSORIES</b>	
Black Cover Screws #4 X 1/2" Self-tapping	1591TS100BK (Pkg 100)
Plated Cover Screws #4 X 1/2" Self-tapping	1591TS100 (Pkg 100)
P.C. Board Screws	1593ATS50 (Pkg 50)
(#4 x 1/4" self-tapping (6.4mm))	1593ATS100 (Pkg 100)

**HAMMOND  
MANUFACTURING**

**1591XXESFL**

[www.hammondmfg.com](http://www.hammondmfg.com)

Dimensions:  
mm  
[inches]