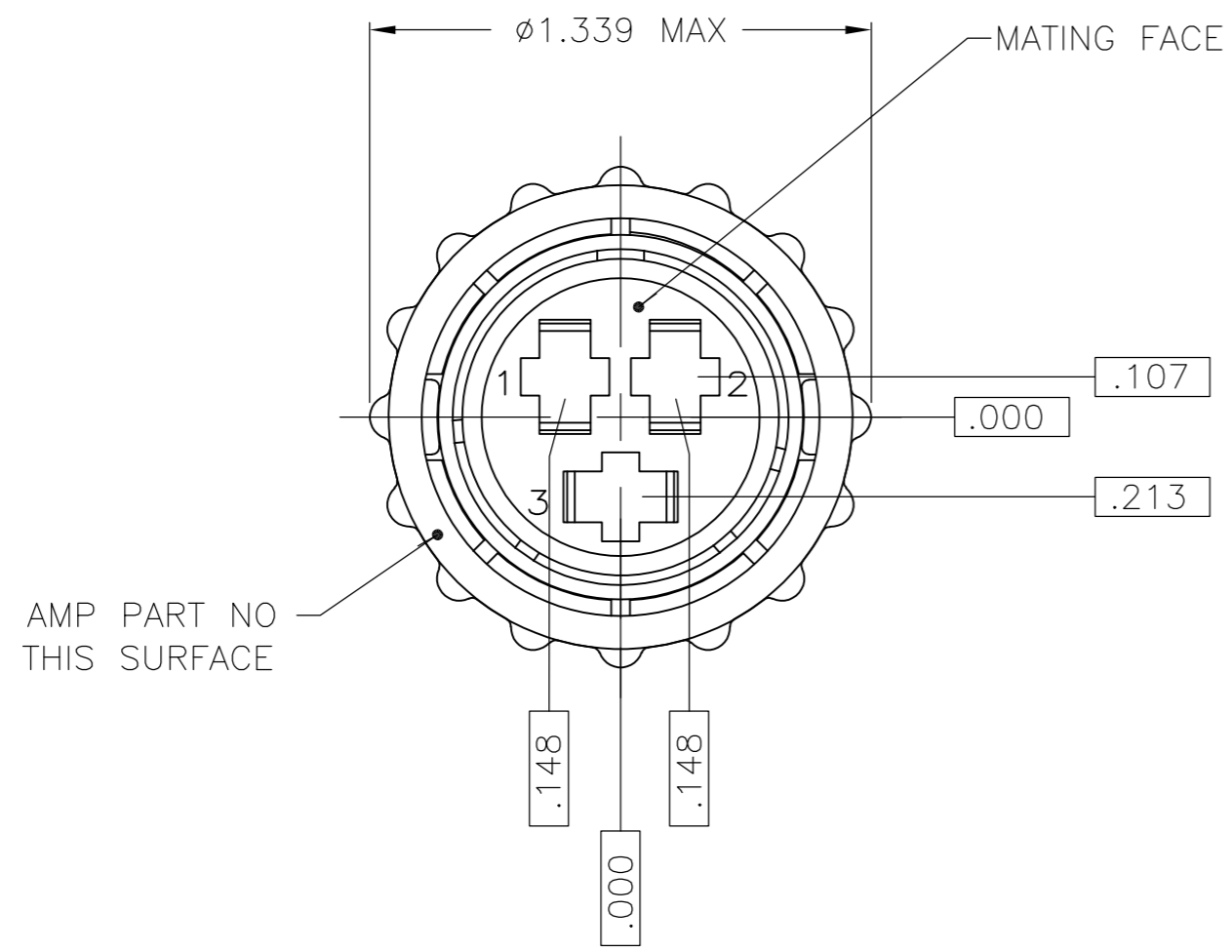
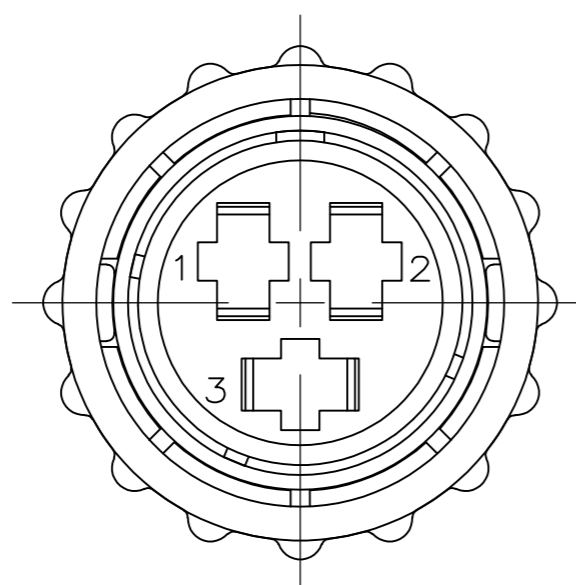


THIS DRAWING IS UNPUBLISHED. RELEASED FOR PUBLICATION
 © COPYRIGHT - By - ALL RIGHTS RESERVED.

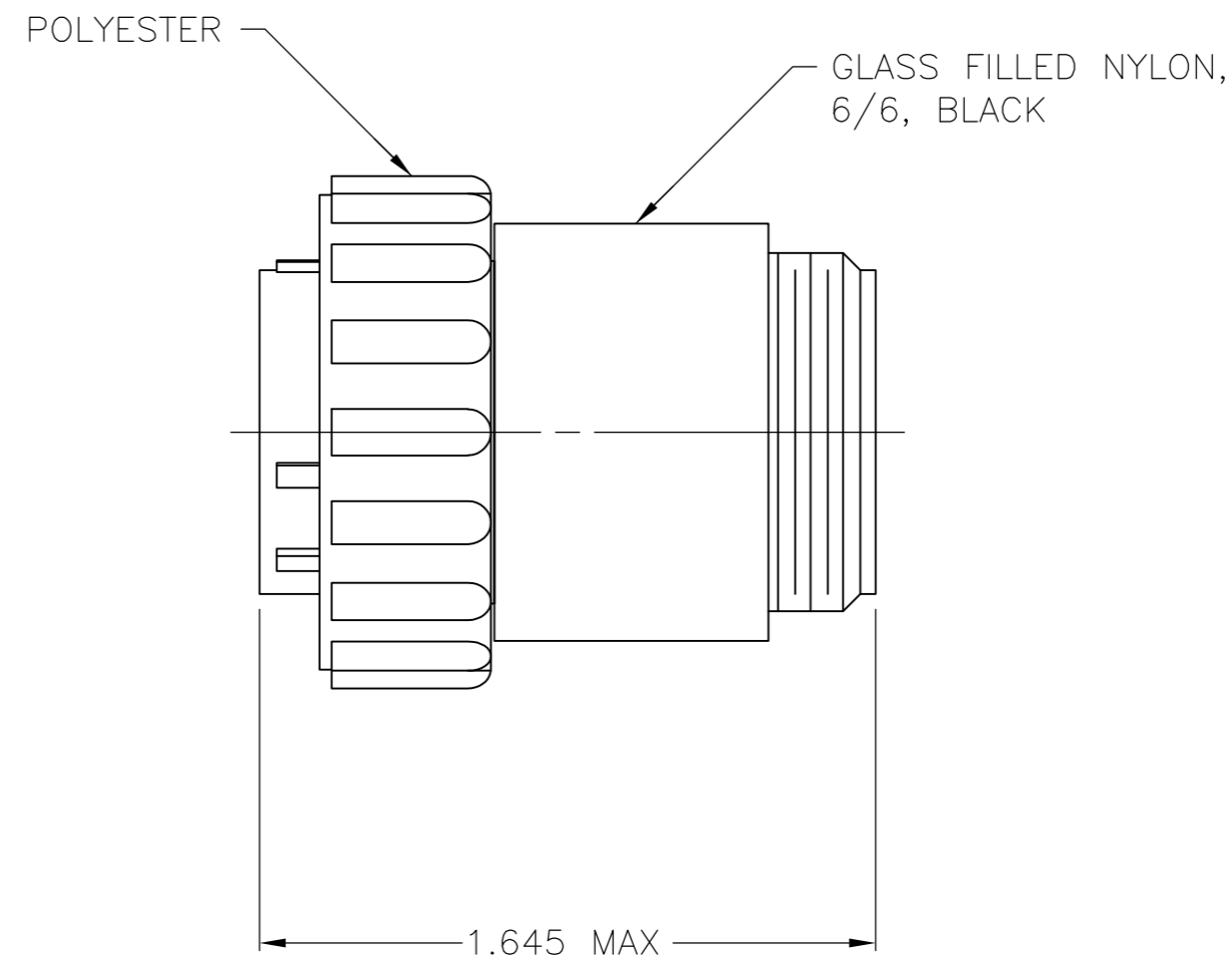
| REVISIONS | | | | |
|-----------|-----|---------------------------|-----------|-------|
| P | LTR | DESCRIPTION | DATE | APVD |
| F3 | | REVISED PER ECO-16-004800 | 10SEP2016 | NK MZ |



206426-1 & -2



206426-4



- 1 CONTACT CAVITIES IDENTIFIED BY CHARACTERS ON FRONT AND REAR FACES OF CONNECTOR.
- 2 WILL ACCEPT (3) TYPE XII PIN CONTACTS.

| | | | | |
|----------|--------------|---------------------|--------------------|---------------------|
| OBSOLETE | B | BLACK | VALOX | 206426-4 |
| | A | GRAY | NORYL | 206426-2 |
| | A | BLACK | VALOX | 206426-1 |
| | KEYING STYLE | COUPLING RING COLOR | COUPLING RING MATL | PART NUMBER |

| | | | | |
|--|--|-------------------------|--|-----------------|
| THIS DRAWING IS A CONTROLLED DOCUMENT. | | DWN S.RIDGLEY BG 8/2/90 | TE TE Connectivity | |
| DIMENSIONS: INCHES | | CHK R.STONE 04/26/91 | | |
| TOLERANCES UNLESS OTHERWISE SPECIFIED: | | APVD - | NAME | |
| 0 PLC ± - | | PRODUCT SPEC - | PLUG ASSEMBLY, SHELL SIZE 17, REVERSE SEX, SERIES 3, CPC | |
| 1 PLC ± - | | APPLICATION SPEC - | SIZE A2 | CAGE CODE 00779 |
| 2 PLC ± - | | WEIGHT | DRAWING NO C=206426 | RESTRICTED TO - |
| 3 PLC ± - | | FINISH - | SCALE 2:1 | SHEET 1 of 1 |
| 4 PLC ± - | | MATERIAL SEE | CUSTOMER DRAWING | REV F3 |
| ANGLES ± - | | | | |