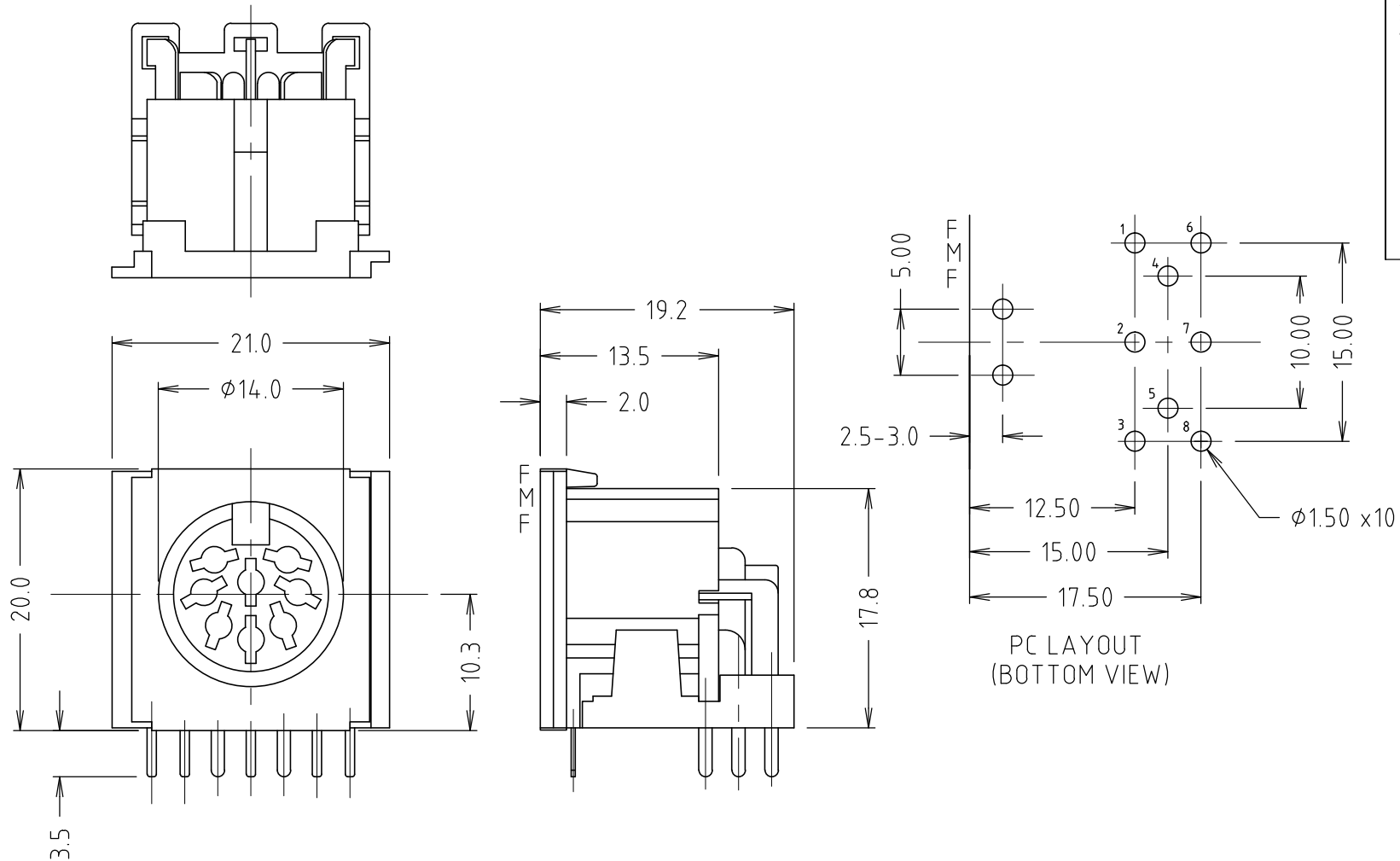


ISS.	AMEND	DATE
1	1st DRAWN	13/10/99
2	REF DxFA	07/08/00
3	BORDER UPDATE	22/11/11
4	AMEND PIN LAYOUT	06/05/15



ARRANGEMENT OF CONTACTS						
MODEL No.	DIN-3SA	DIN-4SA	DIN-5SA	DIN-6SA	DIN-7SA	DIN-8SA
PART No.	FM6723	FM6724	FM6725	FM6726	FM6727	FM6728

RoHS
COMPLIANT

TOLERANCE
 NO DEC. PLACE ±
 1 DEC. PLACE ±
 2 DEC. PLACE ±
 HOLE Ø ±
 ANGLES ±
 UNLESS OTHERWISE STATED

DO NOT SCALE