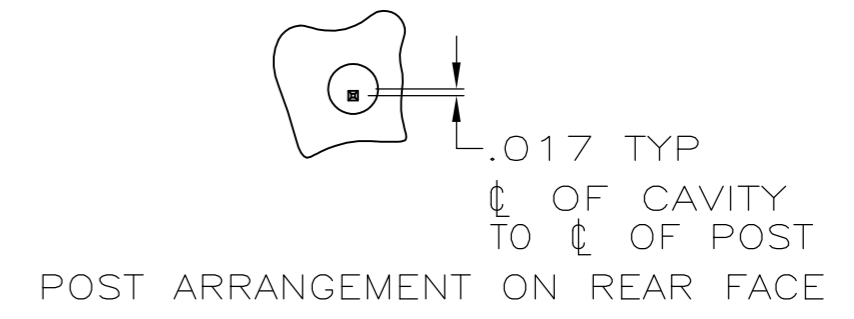
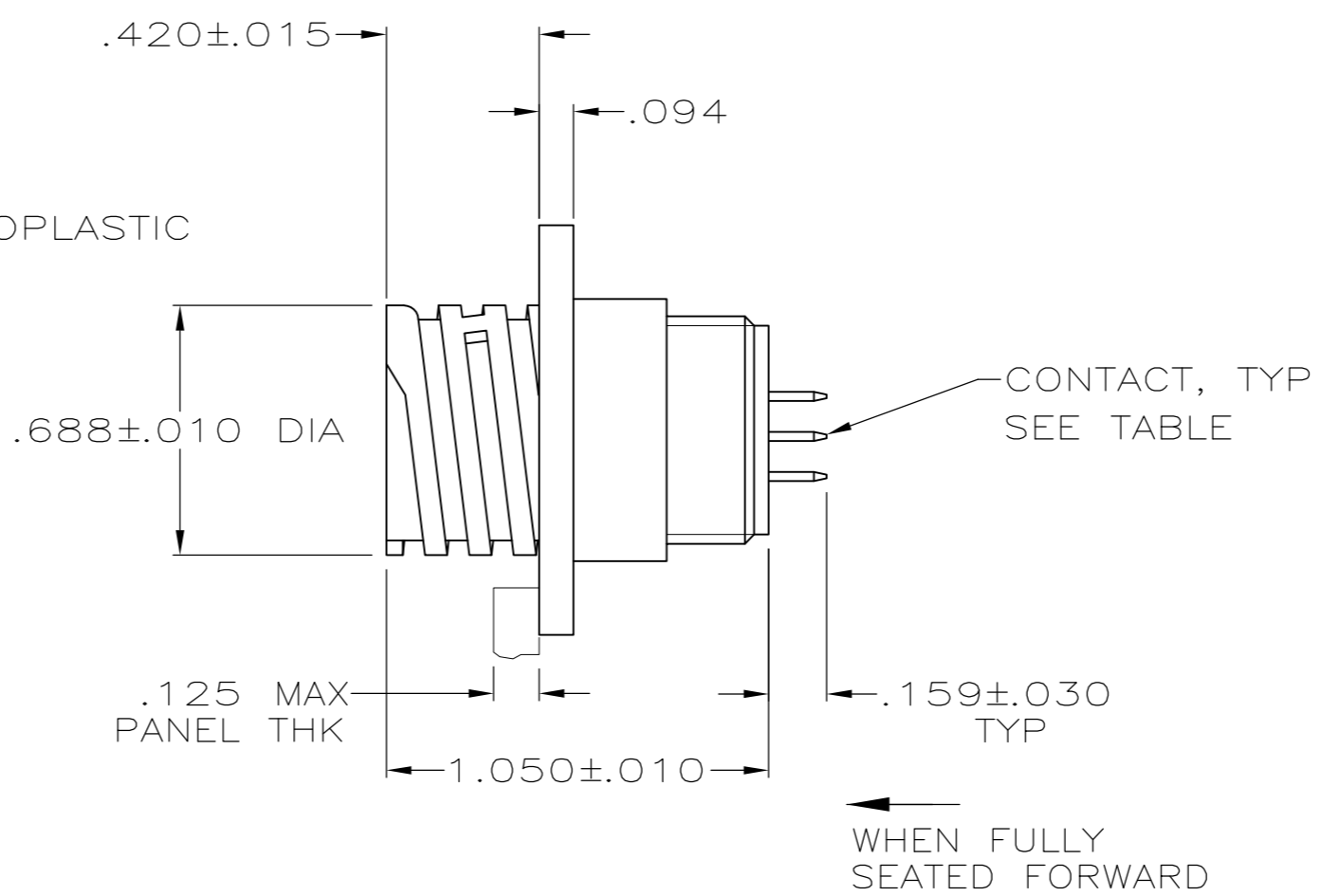
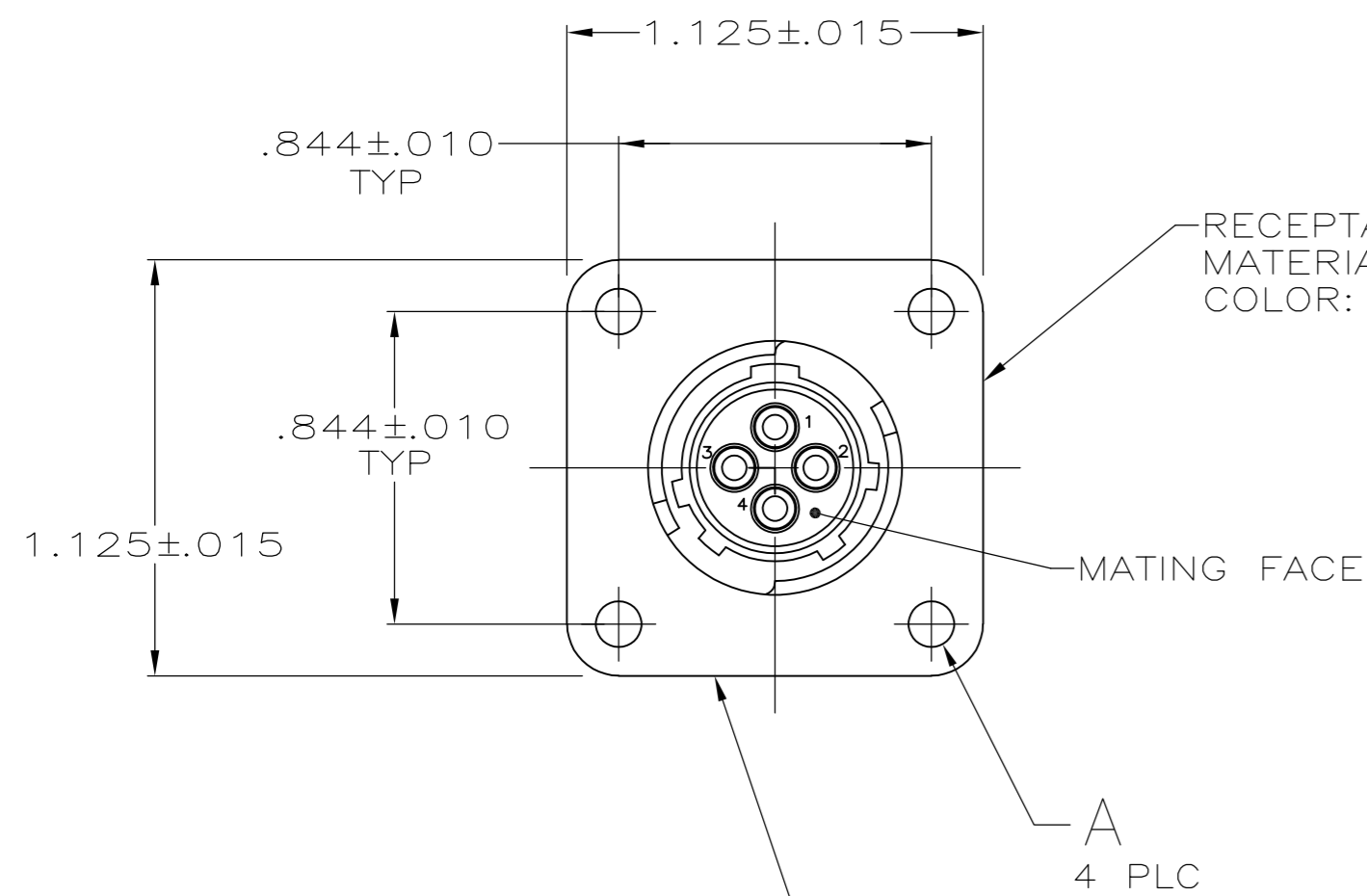


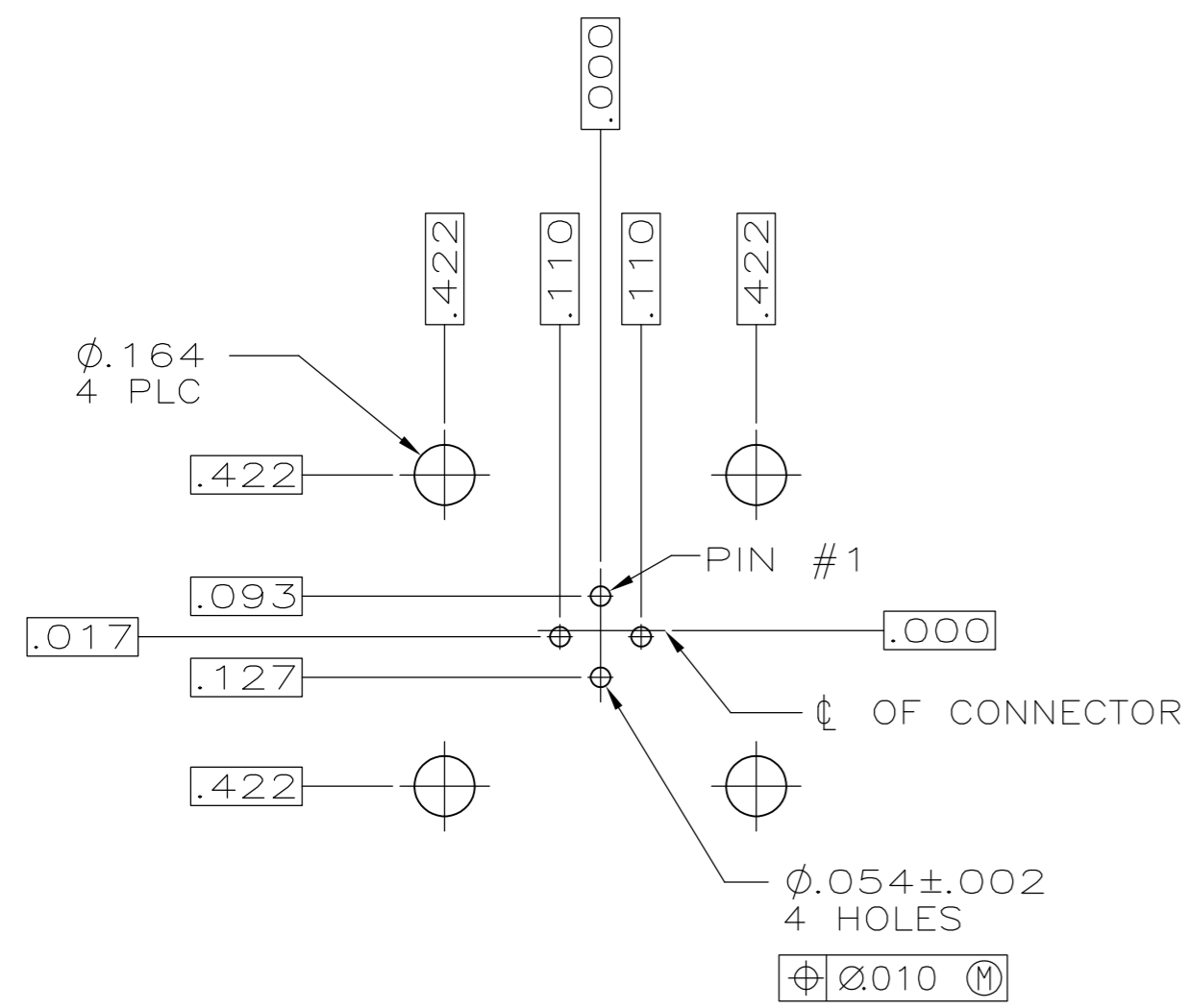
THIS DRAWING IS UNPUBLISHED. RELEASED FOR PUBLICATION  
 © COPYRIGHT - By - ALL RIGHTS RESERVED.

REVISIONS					
P	LTR	DESCRIPTION	DATE	DWN	APVD
	L1	REVISED PER ECO-16-004800	10SEP2016	NK	MZ



PART NUMBER AND DATE CODE MARKED ON ANY FLANGE EDGE

- 1 CONTACT BODY: GOLD PLATED PER MIL-G-45204 OVER NICKEL PER QQ-N-290. CONTACT POST: TIN-LEAD PER MIL-T-10727 OVER COPPER PER MIL-C-14550A.
- 2 CONTACT BODY: TIN-LEAD PLATED .000100 MIN. CONTACT POST: TIN-LEAD PLATED .000100 MIN.
- 3 CONTACT BODY: GOLD PLATED OVER NICKEL PER QQ-N-290. CONTACT POST: TIN OVER COPPER.
- 4 PRELIMINARY PART NUMBER.



RECOMMENDED P.C. BOARD LAYOUT

4	3	YES	.125 DIA	ALL	208283-8
OBSOLETE	3	NO	.125 DIA	1,2,3	-208283-7
OBSOLETE	3	NO	4-40UNC, INSERT, BRASS	1,3,4	208283-6
	2	NO	.125 DIA	ALL	-208283-5
	3	NO	.125 DIA	ALL	208283-4
4	1	YES	.125 DIA	ALL	208283-3
	1	NO	4-40UNC, INSERT, BRASS	1,3,4	208283-2
	1	NO	.125 DIA	ALL	208283-1
FINISH		PERIPHERAL SEAL		A	CONTACTS LOADED AT POSITION
PART NUMBER					

THIS DRAWING IS A CONTROLLED DOCUMENT.		DWN R.LEE BG 6-22-91	<b>STE</b> TE Connectivity														
		CHK W.G.LENKER 4-14-92															
DIMENSIONS: INCHES		TOLERANCES UNLESS OTHERWISE SPECIFIED:	NAME														
<table border="1"> <tr><td>0 PLC</td><td>± -</td></tr> <tr><td>1 PLC</td><td>± -</td></tr> <tr><td>2 PLC</td><td>± -</td></tr> <tr><td>3 PLC</td><td>± .005</td></tr> <tr><td>4 PLC</td><td>± -</td></tr> <tr><td>ANGLES</td><td>± -</td></tr> </table>		0 PLC	± -	1 PLC	± -	2 PLC	± -	3 PLC	± .005	4 PLC	± -	ANGLES	± -	PRODUCT SPEC 108-10024	RECEPTACLE ASSEMBLY, POSTED, REV SEX, SERIES 1, 11-4, CPC		
0 PLC	± -																
1 PLC	± -																
2 PLC	± -																
3 PLC	± .005																
4 PLC	± -																
ANGLES	± -																
MATERIAL		FINISH	WEIGHT	SIZE A2	CAGE CODE 00779												
				DRAWING NO C=208283	RESTRICTED TO -												
CUSTOMER DRAWING			SCALE 1:1	SHEET 1 of 1	REV L1												