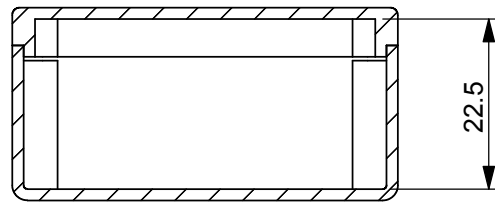
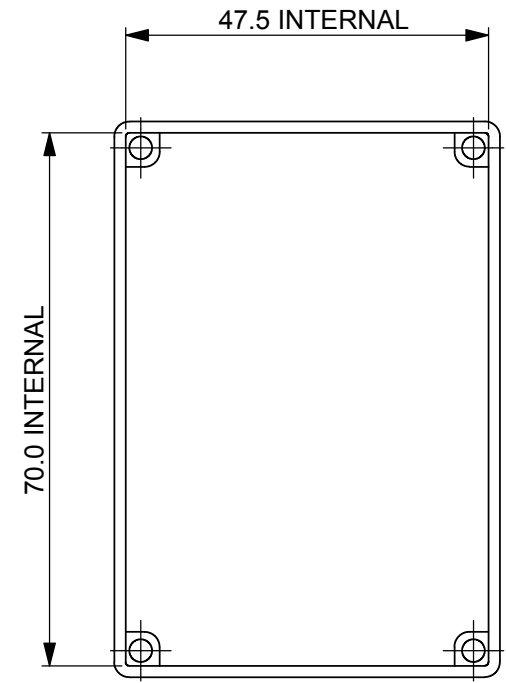
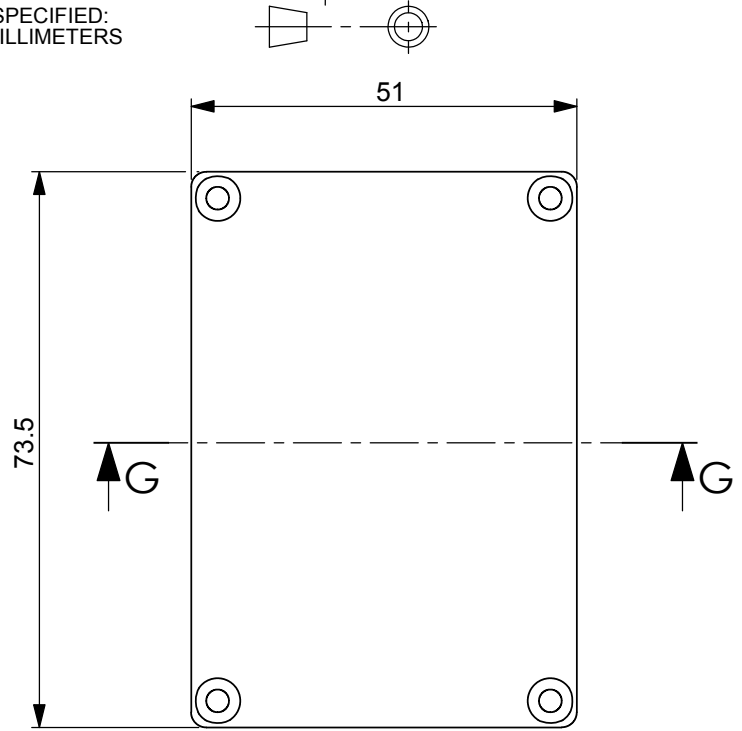
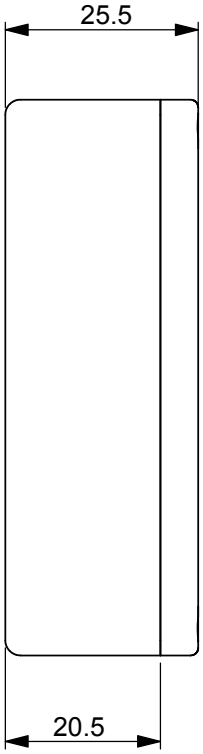


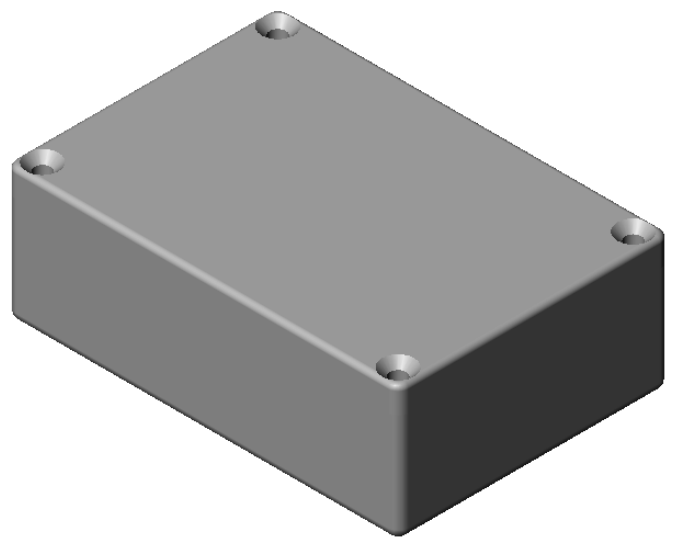
1 2 3 4 5 6

UNLESS OTHERWISE SPECIFIED:
DIMENSIONS ARE IN MILLIMETERS

DO NOT SCALE DRAWING



SECTION ON G-G



ISSUE	CHK'D	DRAWN	DATE	DEBUR AND BREAK SHARP EDGES	GENERAL TOLERANCES	BCL HARROGATE ENGLAND	
1	PT	KA.	31/07/04		UP TO 200 ±0.2	TITLE: MOULDED BOX & LID	A4
				FINISH:		DWG NO. HBT3	
				MATERIAL:	ABS	SCALE	SHEET 1 OF 1