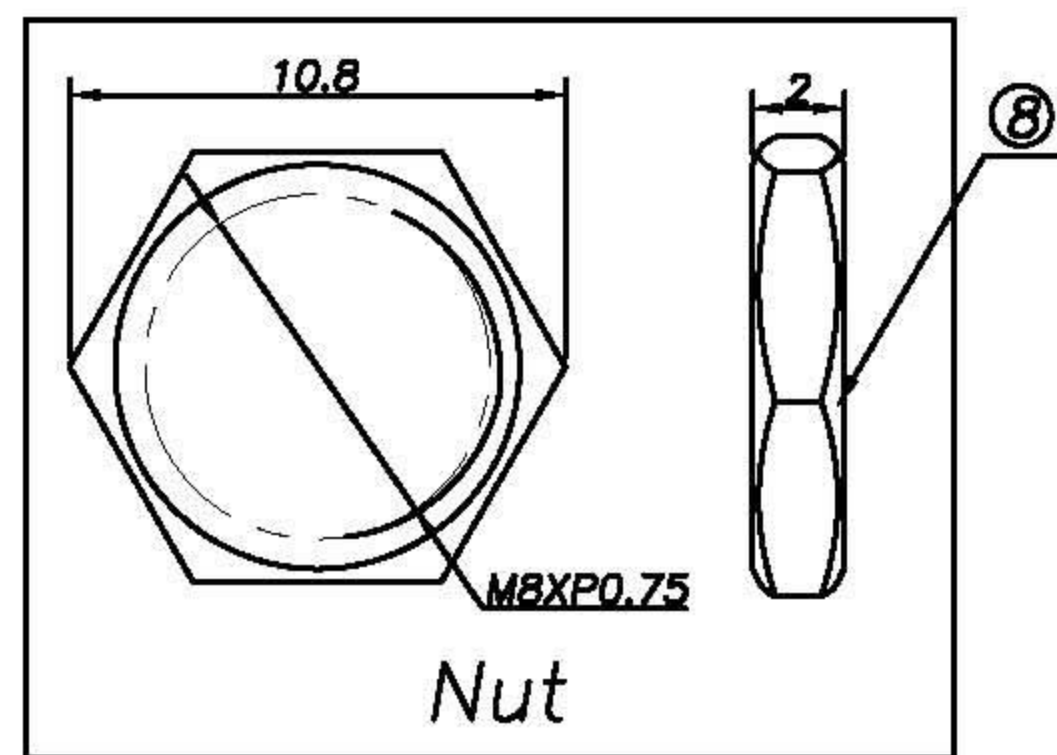
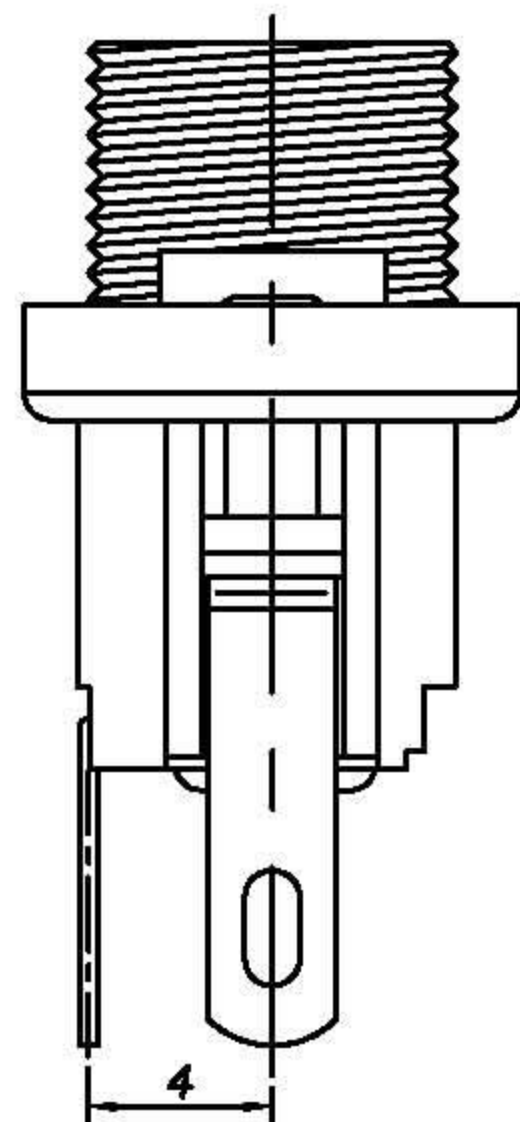
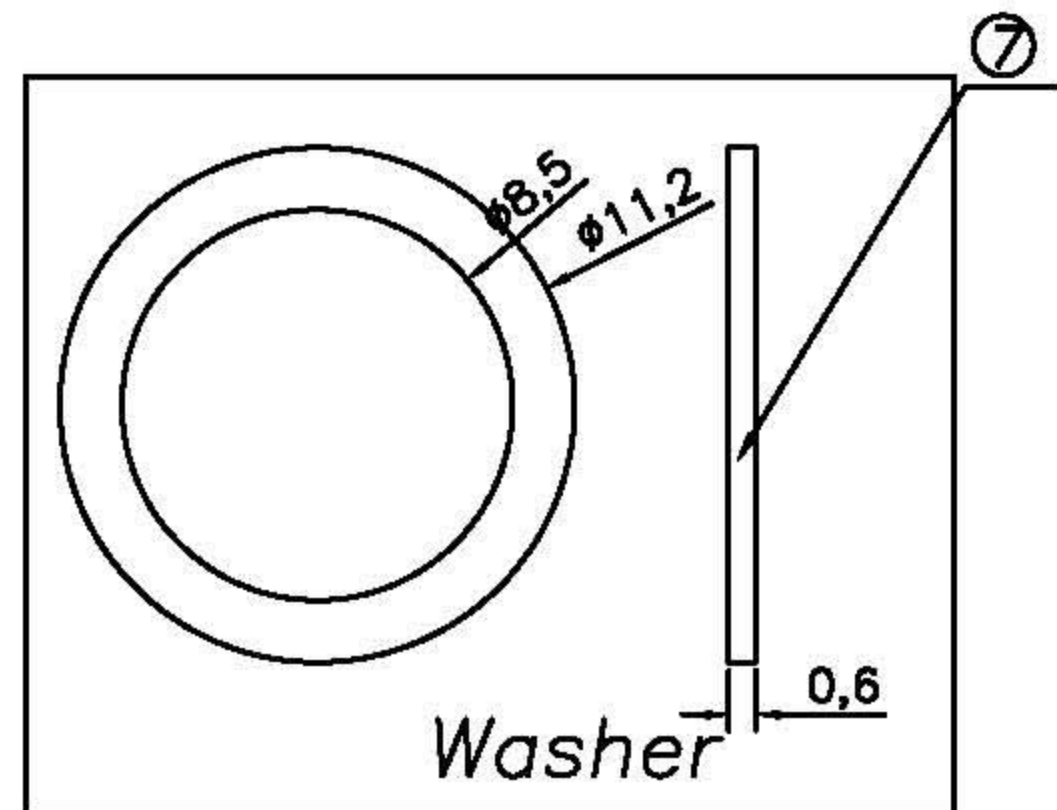


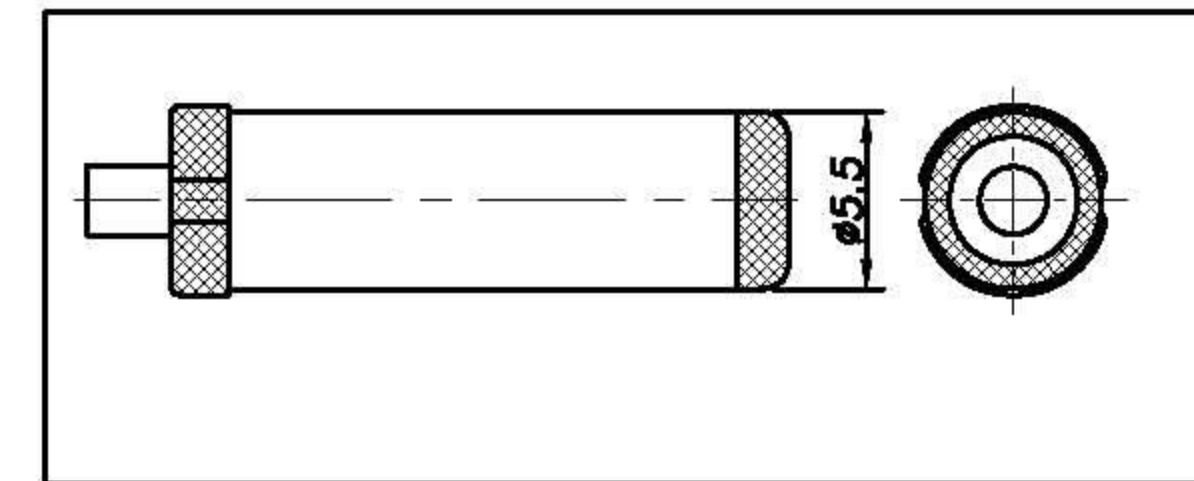
(Copper-sided view)



Nut



Washer



Plug

| | | | |
|-----------|--|-------|-----------|
| Schematic | | Pin | PART.No |
| | | 2.0mm | DTD-0031 |
| | | 2.5mm | DTD-0031A |

| NO. | DESCRIPTION | QTY | MATERIAL | PLATING |
|-----|---------------------|-----|----------|---------------|
| ⑦ | Nut | 1 | H62 | Ni-Plating |
| ⑦ | Washer | 1 | Iron | Ni-Plating |
| ⑥ | Pin | 1 | Copper | Ni-Plating |
| ⑤ | Bushing | 1 | H62 | Ni-Plating |
| ④ | Shunt Terminal | ④ | H62 | Cu-Sn-Plating |
| ③ | Tip Spring | ② | QSn6.5 | Cu-Sn-Plating |
| ② | Center pin terminal | ① | H62 | Cu-Sn-Plating |
| ① | Housing | 1 | PBT | Black |

SPECIFICATION

1. Rated Load : 30V 0.5A;
2. Contact resistance: $\leq 30m\Omega$;
3. Insulation resistance: $\geq 100M\Omega$;
4. Withstand voltage: AC500V ;
5. Insertion and extraction force: 3-30N;
6. life test: 5,000 cycles.

| | | | | | |
|-----------|----------|------------|-------|----------|--------------|
| Designed: | Checked: | Approved: | Date: | Name | CPC |
| | | | | Item No. | AV15317 |
| UNIT: mm | | SCALE: 1:1 | | VIEW: | Edition: A/0 |