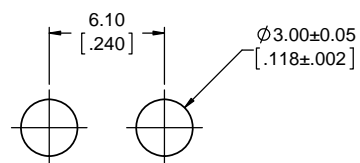
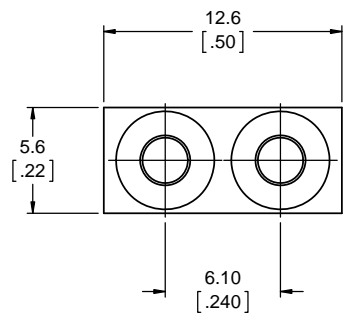
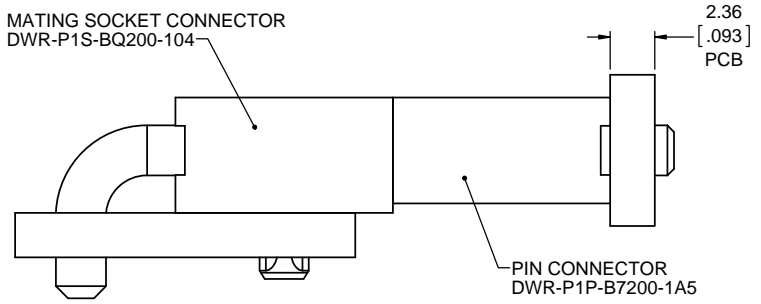
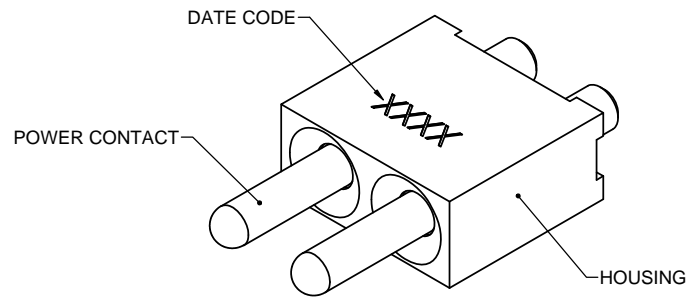
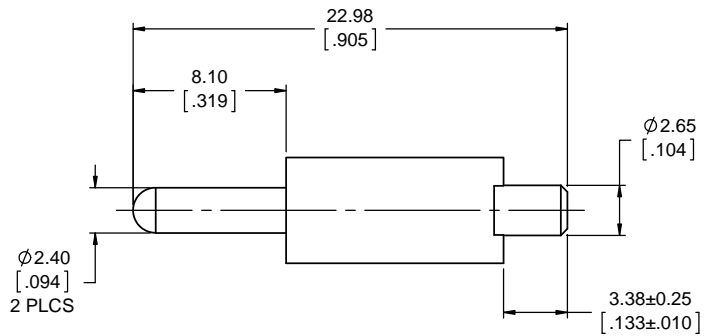


REVISIONS			
REV	DESCRIPTION, ECN, EAR NO.	DATE	APP'D
A	PROPOSAL DRAWING	AUG26/15	S.M.



RECOMMENDED PCB LAYOUT
COMPONENT SIDE OF BOARD



MATED ASSEMBLY

NOTES:

- MATERIALS: ALL MATERIALS ARE RoHS COMPLIANT PER EU DIRECTIVE 2011/65/EU AND AMENDMENTS.**
 - HOUSING: HIGH TEMPERATURE GLASS FILLED NYLON, UL FLAMMABILITY RATING 94V-0, COLOUR BLACK
 - POWER CONTACTS: COPPER ALLOY PLATED WITH 5.08µm (200µ") SILVER OVER 1.27µm (50µ") MIN NICKEL. DRY LUBRICANT APPLIED TO CONTACT SURFACE AFTER PLATING.
- ELECTRICAL CHARACTERISTICS:**
 - CURRENT RATING: 35A PER CONTACT
 - OPERATING TEMPERATURE: -55°C TO +105°C
 - DIELECTRIC WITHSTANDING VOLTAGE: 1500VDC
 - INSULATION RESISTANCE: 5000 MEGOHMS



UNLESS SPECIFIED OTHERWISE	DRAWN	B.COPPING	AUG25/15
PRIMARY UNITS MILLIMETERS	CHECKED	S.MUGAN	AUG26/15
SECONDARY UNITS INCHES	M.E. APP'D		
REFERENCE IN PARENTHESES	Q.A. APP'D		
GENERAL TOLERANCES	DWG APPR.		
1 DECIMAL PLACE ±0.25	ENG. REL. NO.		
2 DECIMAL PLACES ±0.10	REF.		
3 DECIMAL PLACES	THIRD ANGLE PROJECTION		
ANGULAR DEGREES	DO NOT SCALE DRAWING		

Amphenol Canada Corp.
www.amphenolcanada.com

DWR SERIES, 2 POWER PIN CONNECTOR, 2.4mm RADSOK, VERTICAL PCB TAIL, RoHS COMPLIANT

DWG. NO. **DWR-P1P-B7200-1A5** REV **A**

CODE ID NO. 03554 DWG SIZE: X SCALE: 5:1 SHEET 1 OF 1