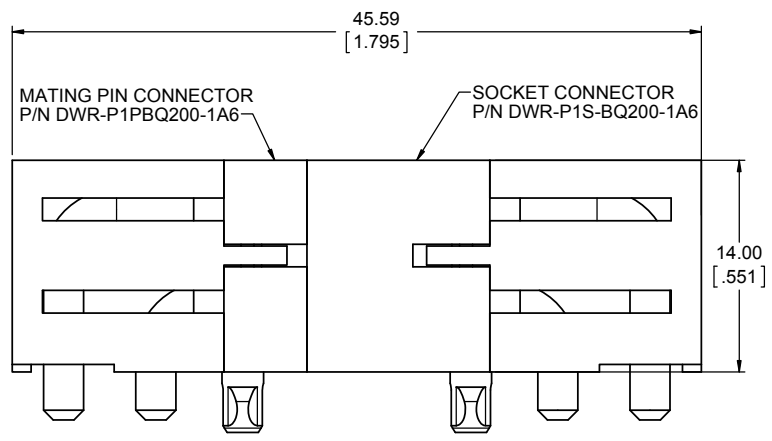
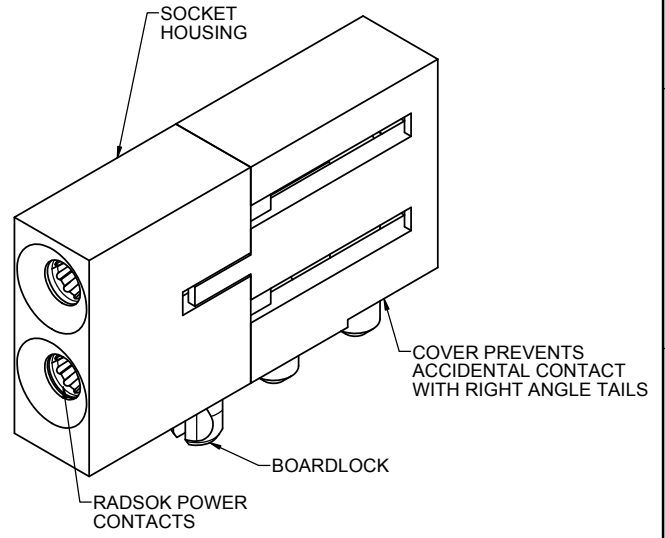
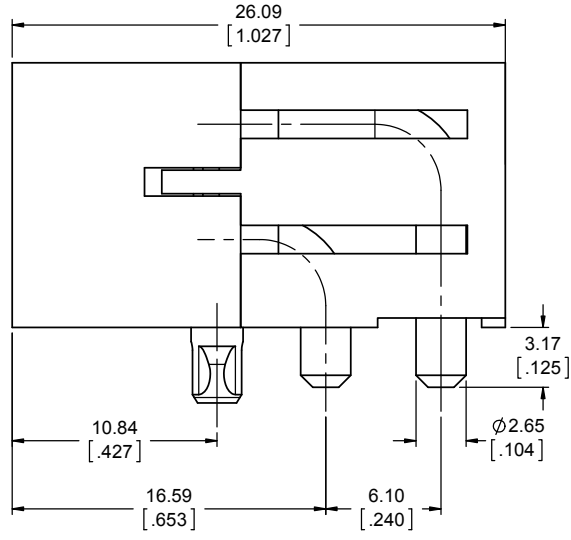
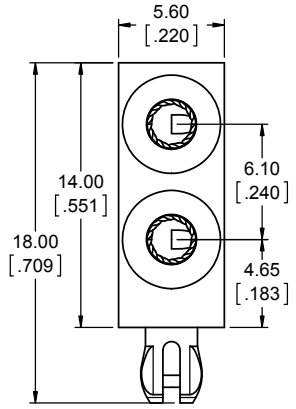
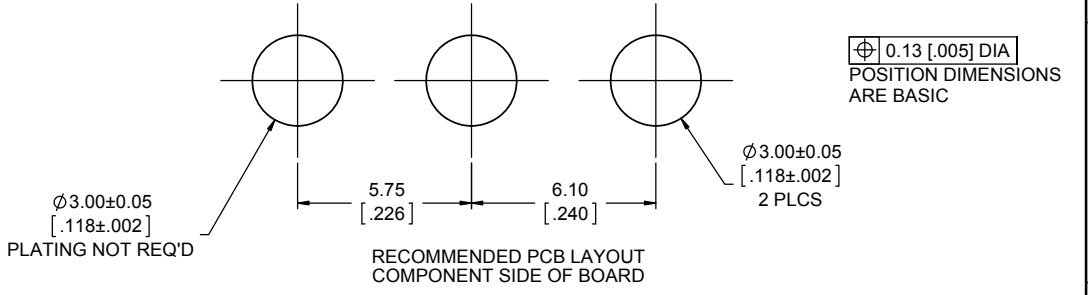


REVISIONS			
REV	DESCRIPTION, ECN, EAR NO.	DATE	APP'D
A	PROPOSAL DRAWING	MAR12/14	S.M.
B	MODIFIED SOCKET HOUSING	APR08/15	S.M.



MATED ASSEMBLY



NOTES:

- MATERIALS: ALL MATERIALS ARE RoHS COMPLIANT PER EU DIRECTIVE 2011/65/EU AND AMENDMENTS.
 - HOUSING: HIGH TEMPERATURE GLASS FILLED LCP, UL FLAMMABILITY RATING 94V-0, COLOUR BLACK
 - POWER CONTACTS: COPPER ALLOY PLATED WITH 5.08µm (200µ") SILVER OVER 1.27µm(50µ") MIN NICKEL
- ELECTRICAL CHARACTERISTICS
 - CURRENT RATING: 35A PER CONTACT
 - OPERATING TEMPERATURE: -55°C TO +105°C
 - DIELECTRIC WITHSTANDING VOLTAGE: 1500VDC
 - INSULATION RESISTANCE: 5000 MEGAOHMS



UNLESS SPECIFIED OTHERWISE	DRAWN	J.SEOK	MAR12/14
PRIMARY UNITS MILLIMETERS	CHECKED	S.M.	MAR12/14
SECONDARY INCHES	M.E. APP'D		
REFERENCE IN PARENTHESES	Q.A. APP'D		
GENERAL TOLERANCES	DWG APPR.		
1 DECIMAL PLACE	ENG. REL. NO.		
2 DECIMAL PLACES	REF.		
3 DECIMAL PLACES	THIRD ANGLE PROJECTION		
ANGULAR DEGREES	DO NOT SCALE DRAWING		

Amphenol Canada Corp.
www.amphenolcanada.com

DWR SERIES, 2 POWER SOCKET CONNECTOR, 2.4mm RADSOK, RIGHT ANGLE PCB TERMINATION RoHS COMPLIANT

DWG. NO. **P-DWR-P1S-BQ200-1A6** REV **B**

CODE ID NO. 03554 DWG SIZE: X SCALE: 5:1 SHEET 1 OF 1