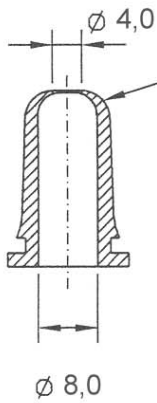
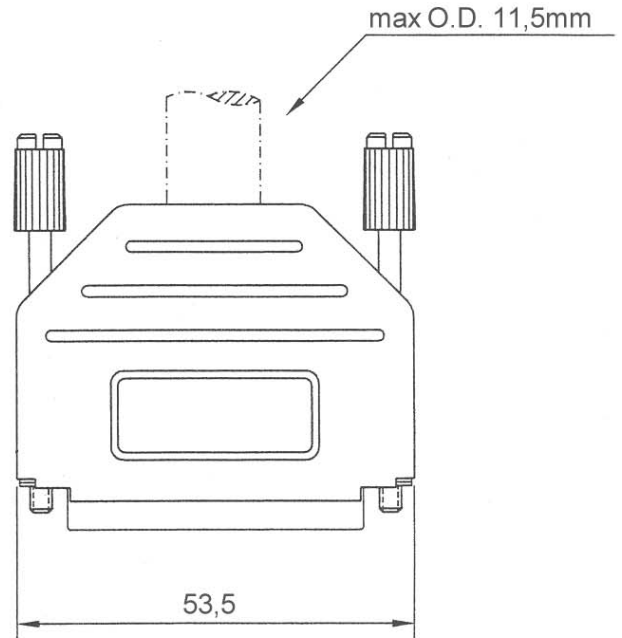
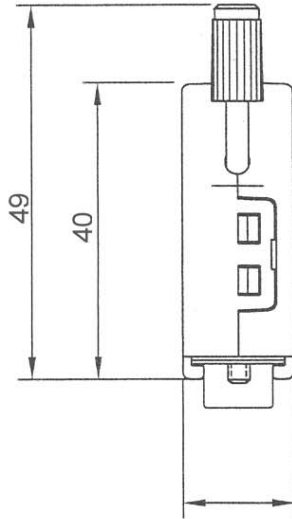
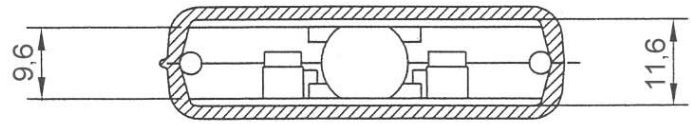
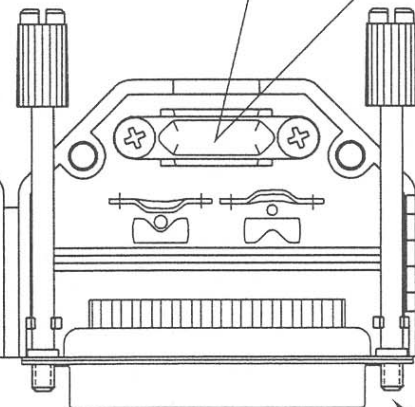
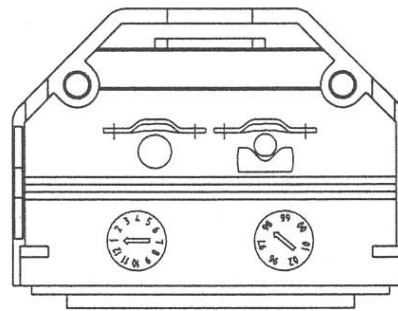
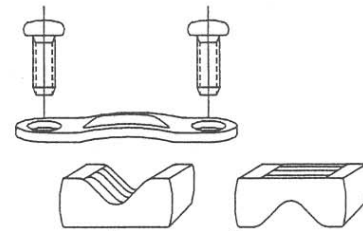


No.	Change and/or Note No.	Date	Intr.	No.	Change and/or Note No.	Date	Intr.

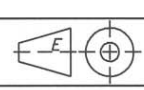


Accessories
 Rubber grommet
 part No:
 6844-0103-01 Black
 6844-0103-02 White



Thread UNC 4-40

Single Pack:	L17DPPK25JSU
Bulk Pack:	L17DPPK25JS

DATE 2008-03-31	DRAWN MRR	SCALE 1:1	MATERIAL TYPE
	APPROVED		REPLACES
PLASTIC HOOD			 DRAWING No 6688-9476