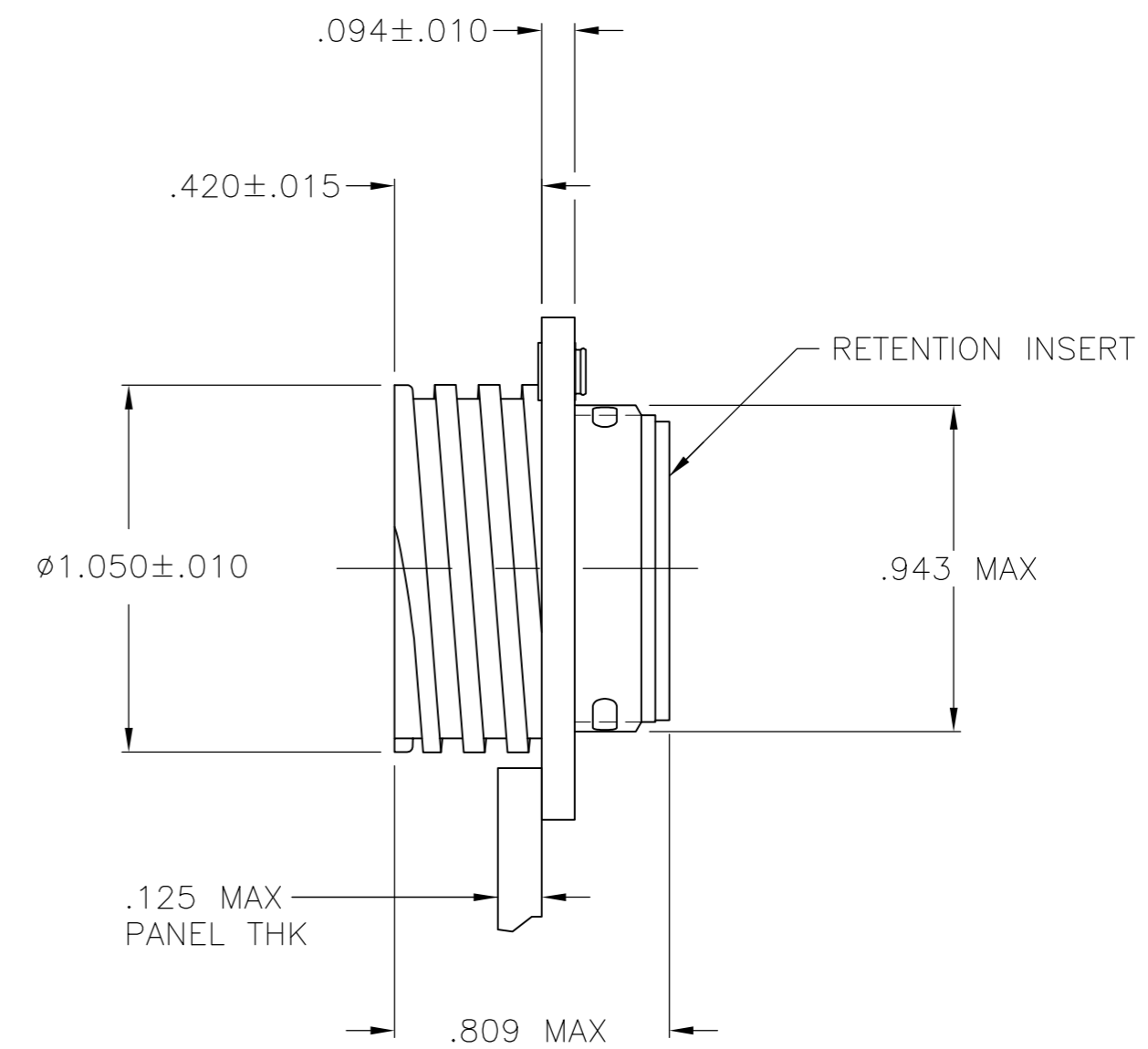
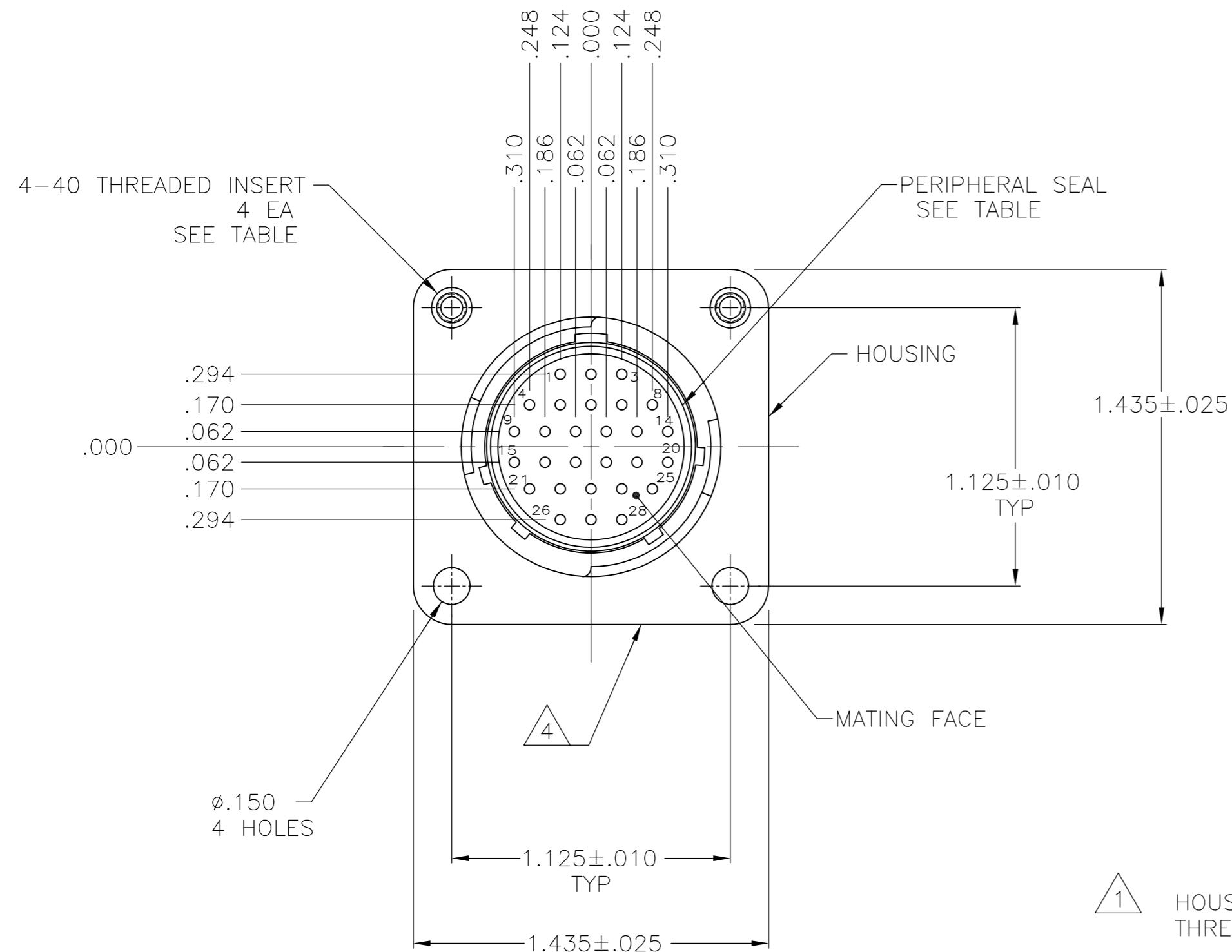
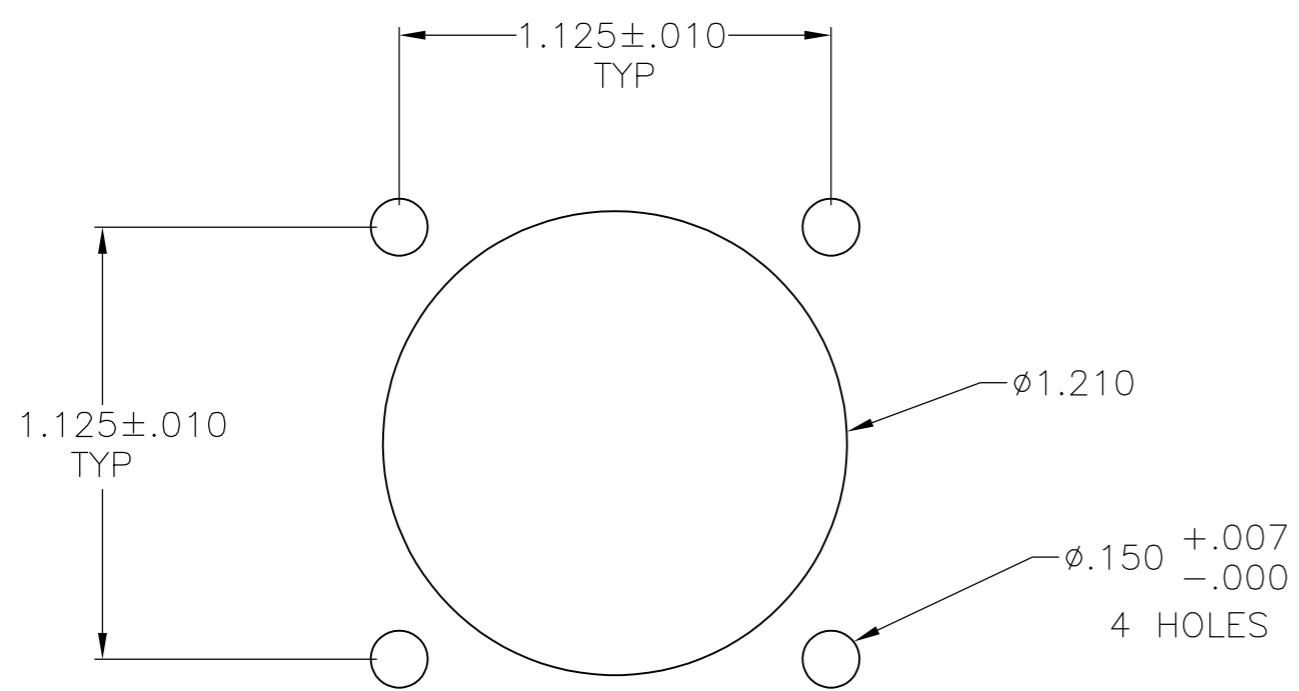


THIS DRAWING IS UNPUBLISHED. RELEASED FOR PUBLICATION  
 © COPYRIGHT - By - ALL RIGHTS RESERVED.

REVISIONS					
P	LTR	DESCRIPTION	DATE	DWN	APVD
H2		REVISED PER ECO-13-019645	14DEC2013	KH	MZ
J		REVISED PER ECR-16-016563	07DEC2016	RS	MZ



- 1 HOUSING & RETENTION INSERT: THERMOPLASTIC, BLACK. THREADED INSERTS: BRASS.
- 2 CONTACT CAVITIES IDENTIFIED BY CHARACTERS ON FRONT AND REAR FACES OF CONNECTOR.
- 3 WILL ACCEPT (28) SIZE 20 PIN CONTACTS.
- 4 AMP LOGO AND PART NUMBER LOCATED ON ANY FLANGE EDGE. SEE CHART FOR PART NUMBER.



PANEL CUTOUT

OBSOLETE	205840-3	YES	YES	-205840-5-
	205840-3	NO	YES	205840-4
	205840-3	NO	NO	205840-3
	PART NUMBER LOCATED ON FLANGE EDGE	PERIPHERAL SEAL	4-40 THREADED INSERTS	PART NUMBER

THIS DRAWING IS A CONTROLLED DOCUMENT.		DWN	4/3/91	
		CHK	A.STAUB BG 7-24-92	
		APVD	W.G.LENKER 7-24-92	
		NAME	K.BEAVER	
		PRODUCT SPEC	108-10024	
		APPLICATION SPEC		
		WEIGHT	-	
		SCALE	A2 00779 C=205840	
		CUSTOMER DRAWING	SCALE 2:1 SHEET 1 of 1 REV J	

205840

B

A