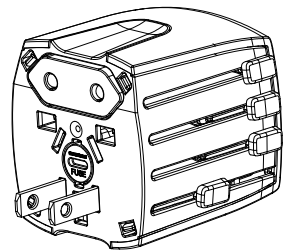


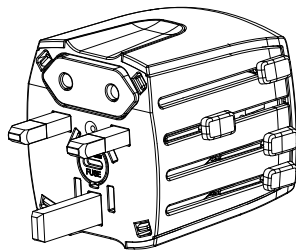
The supplier acknowledges that, with the acceptance of the drawing, he is in a position to manufacture the illustrated part in accordance with the drawing in reproducible form and series production. Through the selected manufacturing processes no impairments will arise in the material and structure which could subsequently lead to an impairment of the component. Verbal agreements over and above that are not valid. Deviations from this rule must be written and must be signed by the purchaser.

This drawing may not be copied, reproduced or made available to third parties in any way whatsoever without or prior written approval.

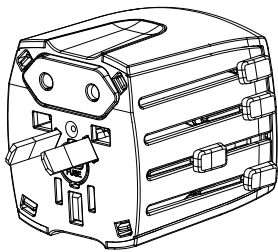
US Stecker/plug



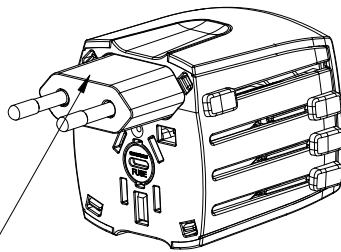
UK Stecker/plug



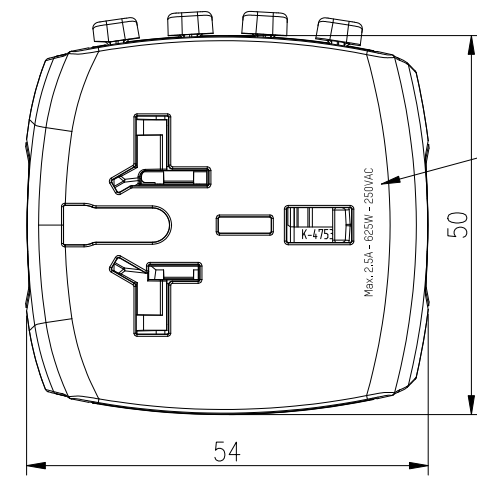
Australien Stecker/
Australia plug



EU Stecker/plug



Produktionsdatum (yyww)/
date code (yyww)



weiße Bedruckung /
white printing

Technische Daten/
technical data

Eingangsspannung/
input voltage : 100V-250V

Max. Last/
max. load : 2.5A

Leistung/
power : z.B. bei 100V - 250W / 250V - 625W
e.g. at 100V - 250W / 250V - 625W

Sicherung/
fuse : T2.5A

Input Steckdose für/
input plug socket for : Euro, UK, USA/Japan, Australien/China /
Euro, UK, USA/Japan, Australia/China

Ausschiebbare Stecker/
plug for pushed out : Euro, UK, USA/Japan, Australien/China /
Euro, UK, USA/Japan, Australia/China

Gehäuse/
case : Steckeradaptergehäuse PC-Material schwarz/
plug adapter case PC-material black

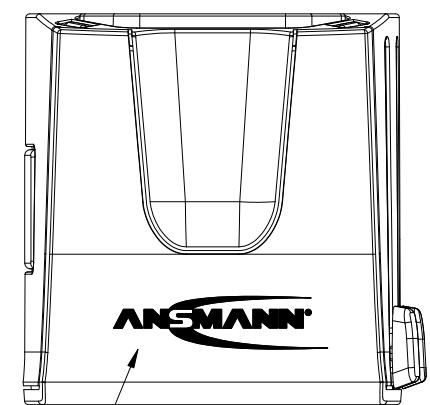
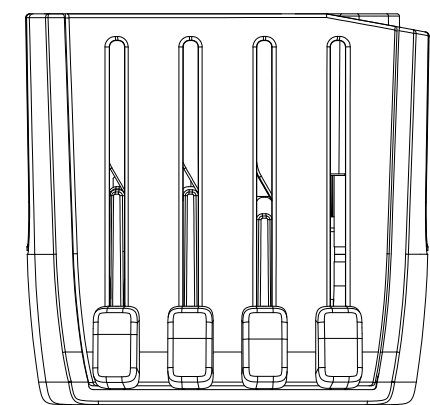
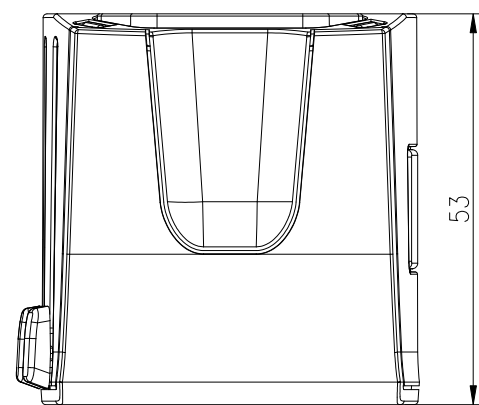
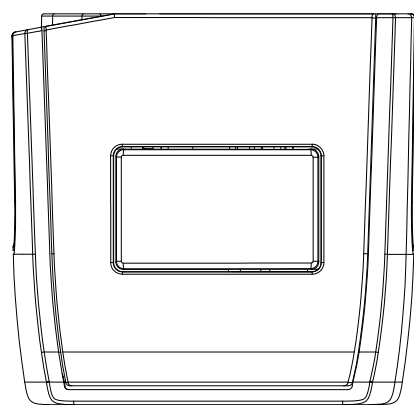
Gewicht/
weight : 100g ohne Verpackung/
100g without packaging

Maße/
dimensions : 54 x 50 x 53mm (LxBxH / LxWxH)

Verpackung/
packaging : Einzelverpackung, blisterverpackt/
individual packaging, blister shell

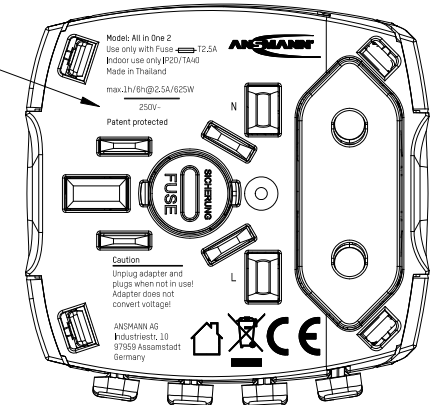
Anleitungen/
instructions : mehrsprachige Bedienungsanleitung/
multilingual operating instructions

Vorsicht/
attention : -Dieser Adapter ist kein Spannungswandler/
This adapter does not convert voltage!
-Geeignet für alle Geräte der Schutzklasse II. (ohne Erdung)
Suitable for class II devices. (without earthing)



weiße Bedruckung /
white printing

weiße Bedruckung /
white printing



Application range for inquiry AN-LN-2016-22				Allowable deviation general tolerances		Surface		Model:		Material:	
				DIN ISO 2768-m				Scale (DIN A3): 1:1		All dimensions in mm	
				2015		Date		Name		Weight:	
				Drawn by		17.11		SIT		Drawing name	
				Approved by						All in One 2 Universal-Reiseadapter / Universal traveladapter	
V0 Date code added 03.03.16 SIT				V0 --- 17.11.15 SIT		Project: xx-xxxx-xxxx		Drawing number Part number		Sheet 1/1	
Version Change				Date Name		Project: xx-xxxx-xxxx		Replaced by:		Replacement through:	

