

POLYCARBONATE  
VERSION ONLY

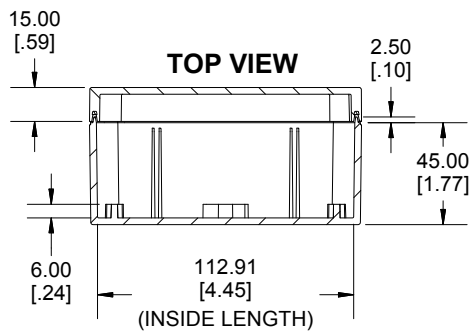
**UL** US LISTED  
FILE #E65324  
NEMA 4, 4X

Enclosures can be Factory Modified ( Milling, Drilling, Printing etc.)  
Contact Factory [mjm@hammondmfg.com](mailto:mjm@hammondmfg.com) for quotes  
Solid models of this enclosure available in STEP or IGES.  
(Part number and text placement/orientation on our products are subject to change,  
we do not recommend using them as a locating reference for modification purposes)

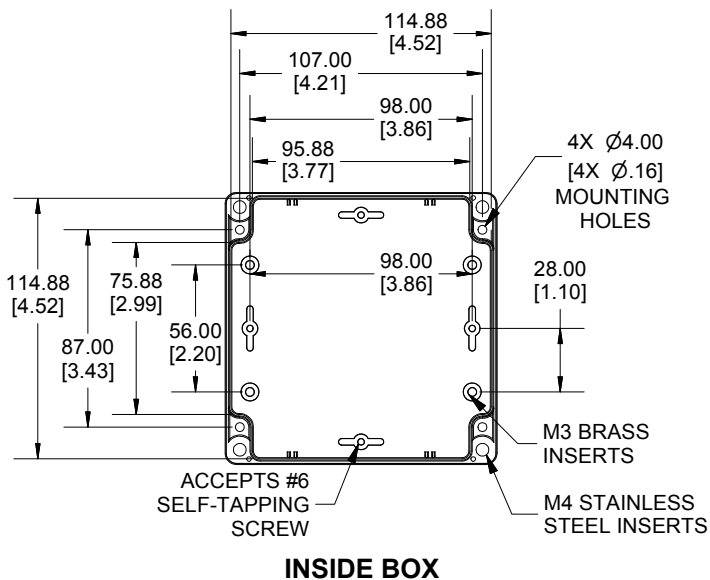
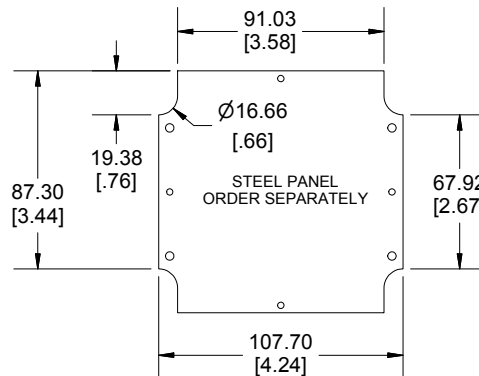
**NOTE**

Purchased assembly includes box, lid, 4 cover screws, and preformed silicone gasket.  
General Purpose ABS version is not UL approved. (Matl UL94 - HB)  
Polycarbonate version is UL 508 approved. (Matl UL94 - 5VA @ 3mm)

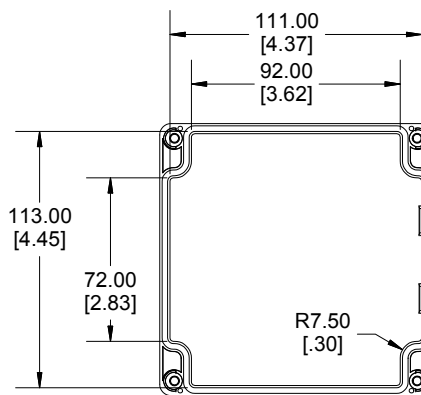
**Recommended Cover screw torque -- 2.5 lbf-in (30 cN-m)**



**SECTION A-A  
SIDE VIEW**



**INSIDE BOX**



**INSIDE LID**

Dimensions:  
mm  
[inches]

1554N	
<b>1554N Regular Enclosure</b>	
General Purpose ABS RAL-7035	1554NGY
Polycarbonate RAL-7035	1554N2GY
<b>1554N Clear / Smoke Lid Enclosure</b>	
Polycarbonate Box / Clear Polycarbonate Lid	1554N2GYCL
Polycarbonate Box / Smoke Polycarbonate Lid	1554N2GYSL
<b>ACCESSORIES</b>	
Steel Inner Panels	1554NPL
Steel Panel / P.C. Board Machine Screw [M3 x 8mm Plated]	1591MM100
Steel Panel / P.C. Board Self Tapping Screw [#6 X 1/4" (6.4mm) Plated]	1598ATS100
Cover Screws (Pkg 4) [M4 X 20mm Stainless Steel]	SC1554
Silicone Pre-formed Gasket Black	1554NGASKET

**HAMMOND  
MANUFACTURING®**

**1554N**

[www.hammondmfg.com](http://www.hammondmfg.com)