

PART
NAME

22.5mm PUSHBUTTON ENCLOSURE

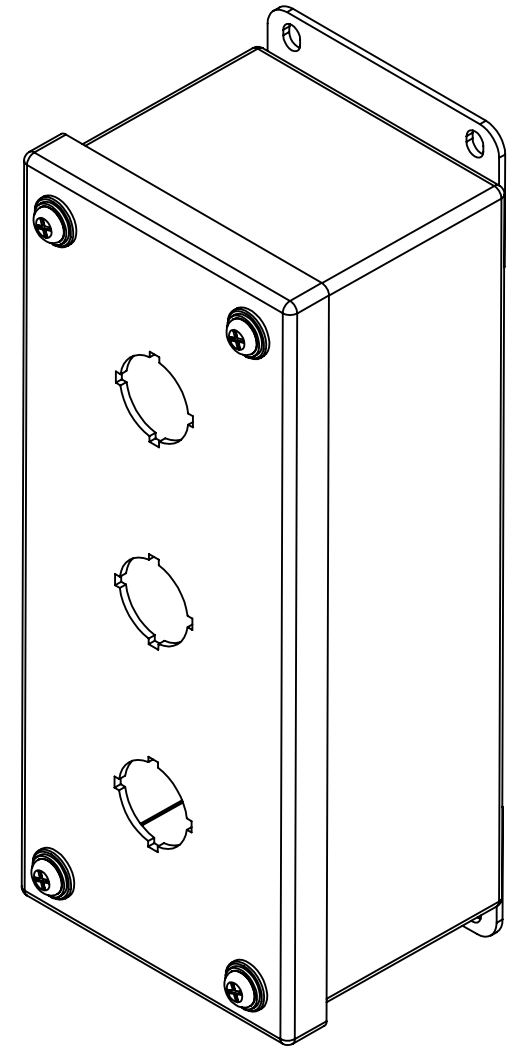
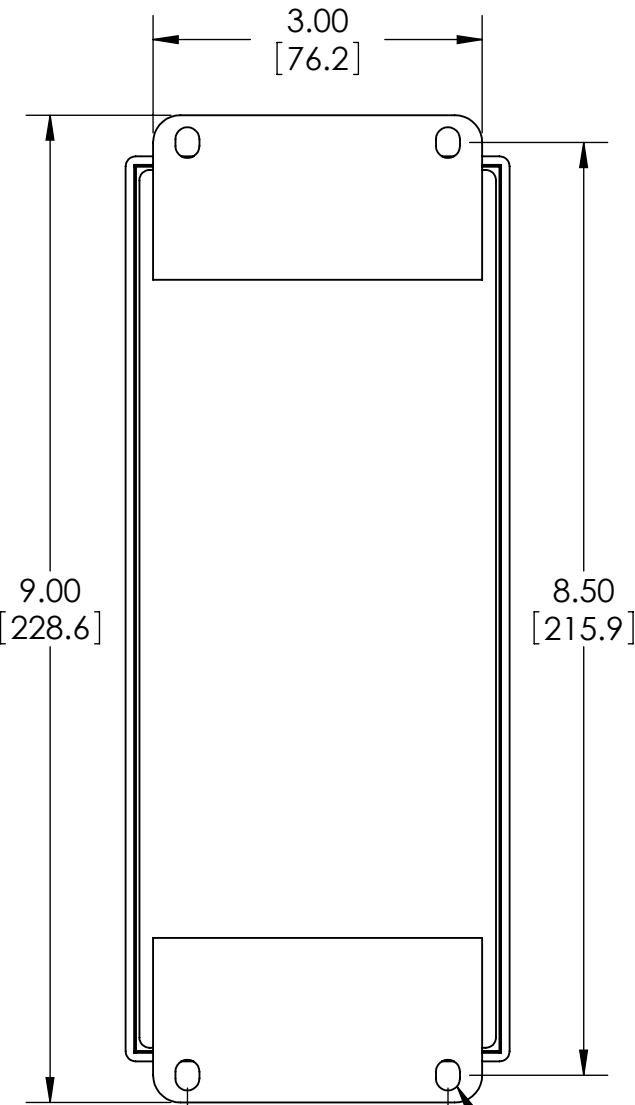
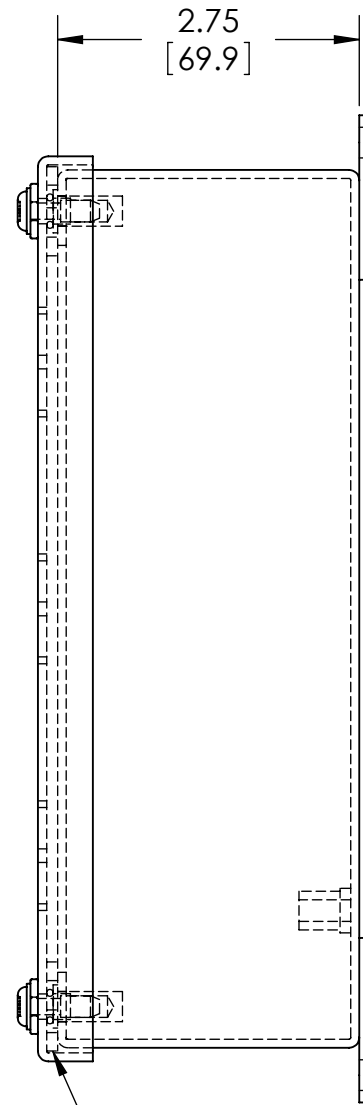
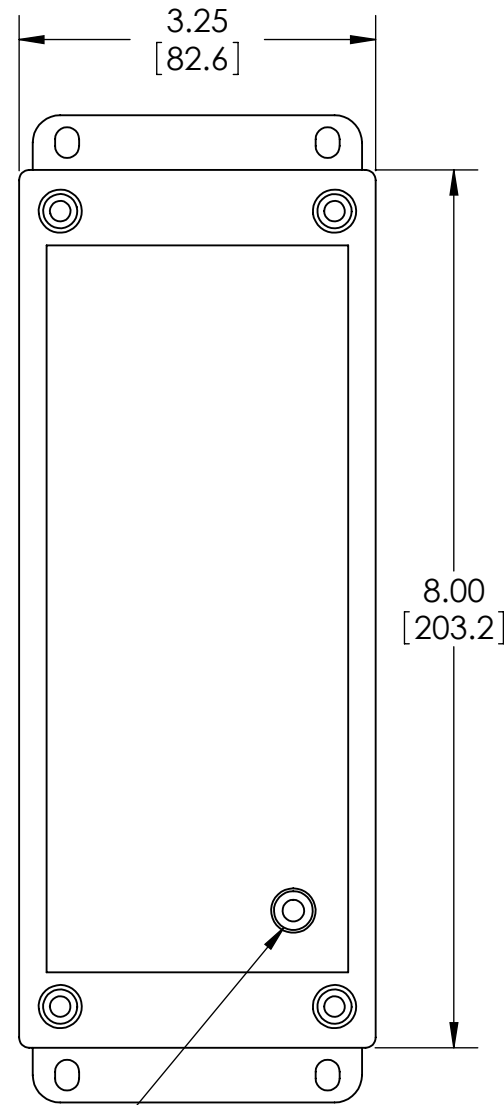
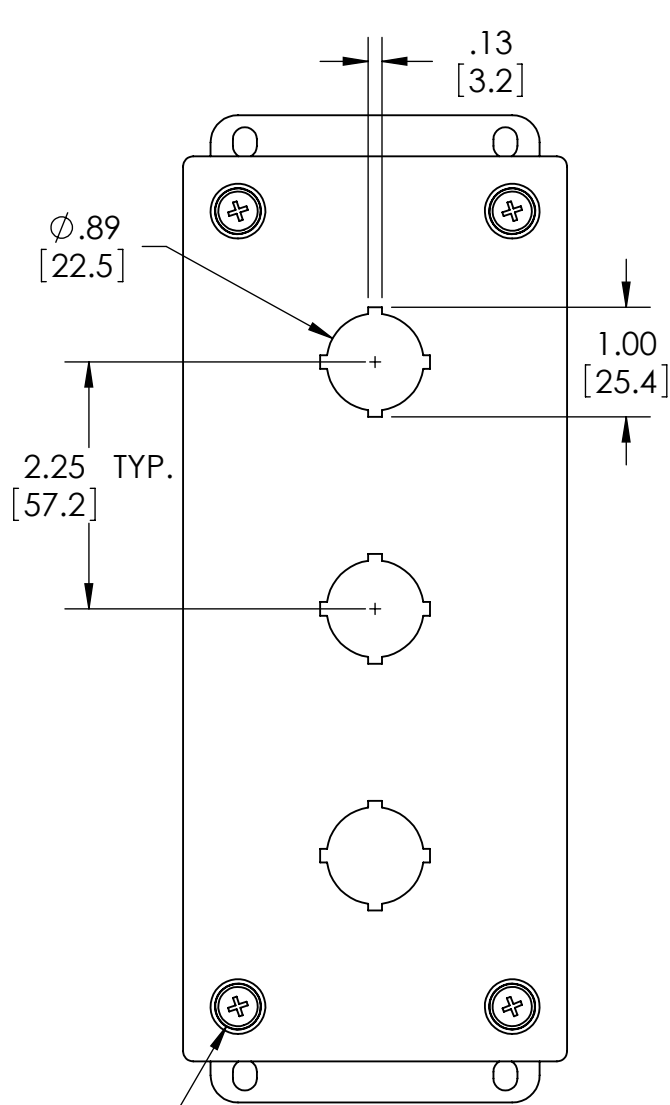
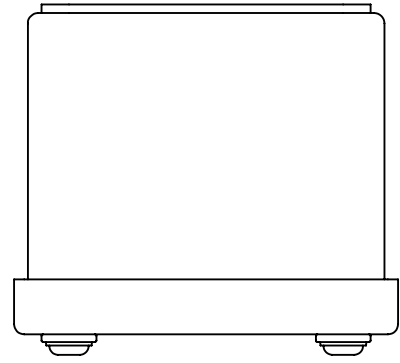
PART
No.

SPB-3903

REVISION
DATE

1-31-11

MATERIAL - 14 GA. [2.0mm] STEEL
FINISH - SMOOTH GRAY POWDERCOAT
UL LISTED TYPE DTOV2



CAPTIVE SCREW M5x0.8 x 16mm LG.,
WASHER HEAD, PHILLIPS DRIVE, STEEL,
ZINC PLATED, WITH SEALING WASHER,
NEOPRENE, BLACK AND O-RING,
BUNA-N, BLACK

**COVER
REMOVED**
WELD STANDOFF M5x0.8 x 12mm LG.
FOR GROUNDING [SUPPLIED WITH
(1) SCREW M5x0.8 x 10mm LG., PAN HEAD,
PHILLIPS DRIVE, STEEL, ZINC PLATED
AND (1) LOCKWASHER, INTERNAL TOOTH,
STEEL, ZINC PLATED]

ONE-PIECE DIE-CUT GASKET
(.25[6.3] THK. PORON #4701-41-15250-04
- BLACK) INSIDE COVER.

2.38 [60.3] .22 [5.6] x .28 [7.1] OBLONG