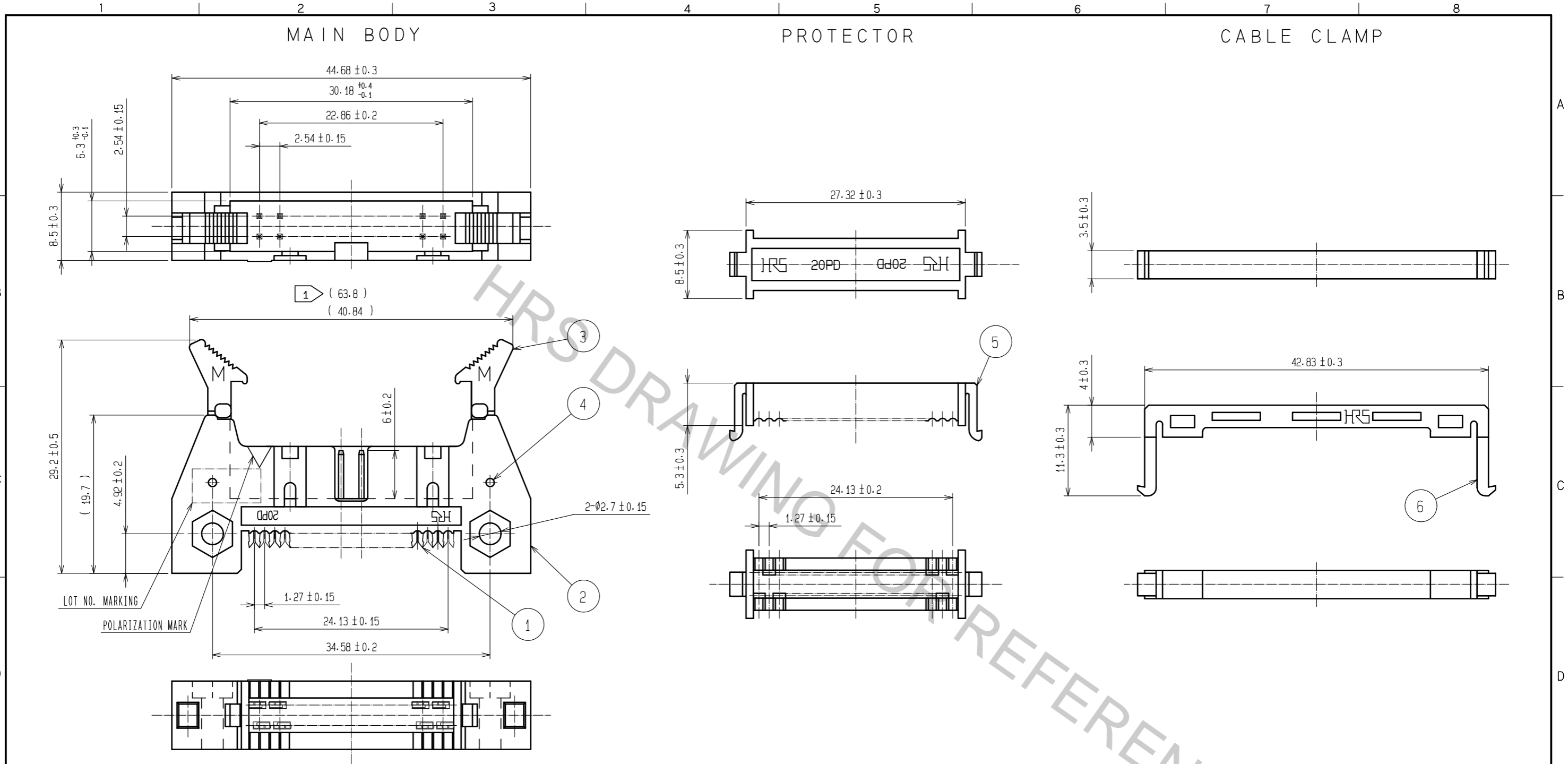
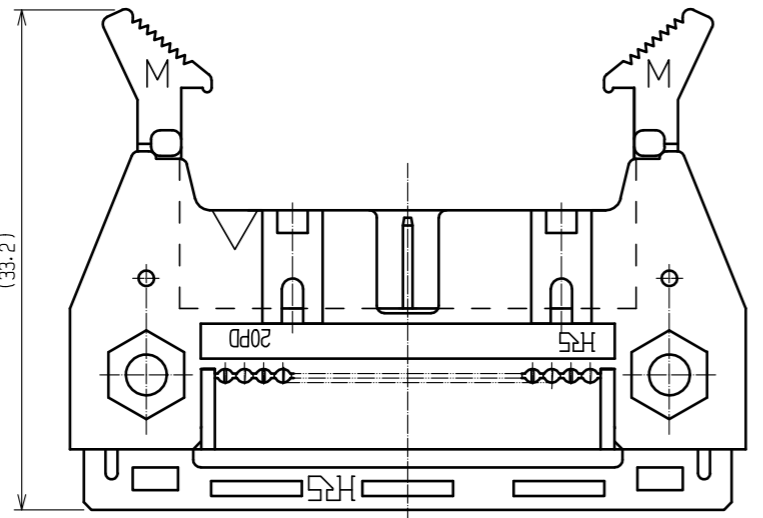


Feb.1.2017 Copyright 2017 HIROSE ELECTRIC CO., LTD. All Rights Reserved.



ASSEMBLY FIGURE



NOTE 1 THE UPPER ROW DIMENSION SHOWS WHEN THE LOCK OPEN OUT.
 2 THE DIMENSION IN PARENTHESE ARE FOR REFERENCE.

		5~6		PBT	BLACK , UL94V-0
1	BERYLLIUM COPPER	OVER PLATING:GOLD 0.2µm min.	4	STAINLESS STEEL	
		UNDER PLATING:NICKEL 2µm min.	2~3	PBT	BLACK , UL94V-0
NO.	MATERIAL	FINISH . REMARKS	NO.	MATERIAL	FINISH . REMARKS
UNITS mm		SCALE 2 : 1	COUNT 	DESCRIPTION OF REVISIONS	DESIGNED
		APPROVED : HS. OKAWA	15. 07. 29	DRAWING NO.	EDC-021380-00-00
HIROSE ELECTRIC CO., LTD.		CHECED : HT. YAMAGUCHI	15. 07. 29	PART NO.	HIF3BA-20PD-2. 54R-MC
		DESIGNED : TH. SANO	15. 07. 28	CODE NO.	CL611-0033-2-00
		DRAWN : HR. NAGAYASU	15. 07. 28		