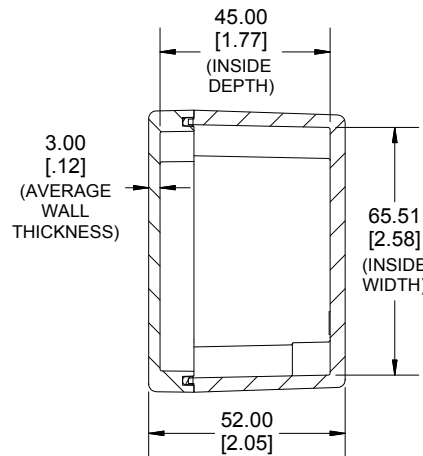
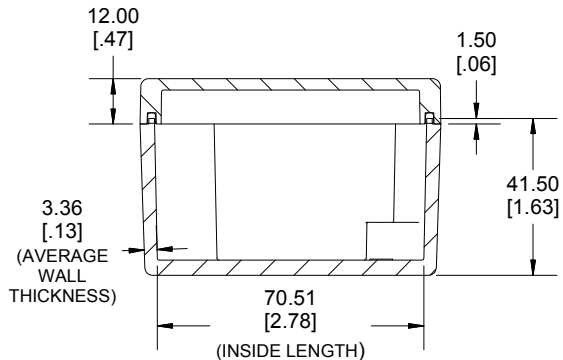
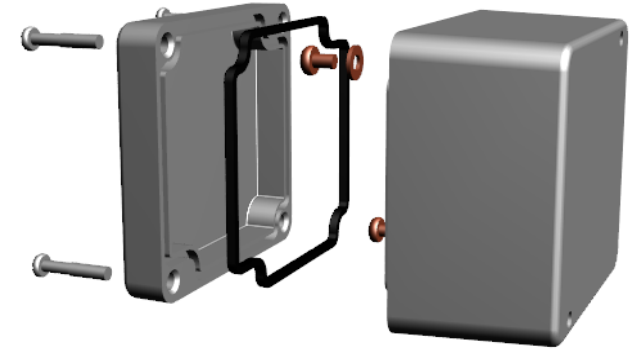


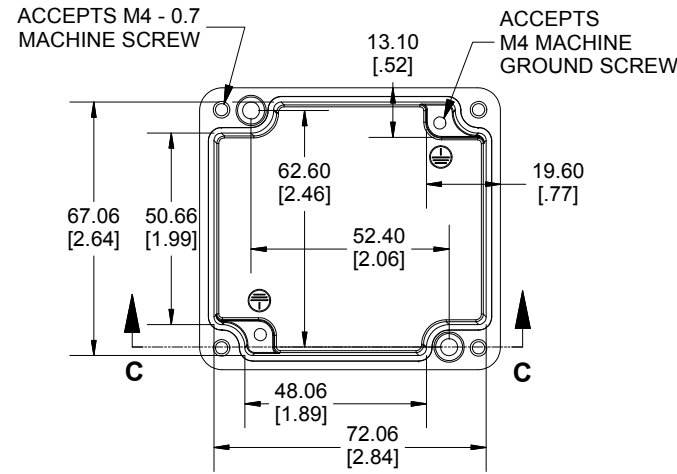
TOP VIEW



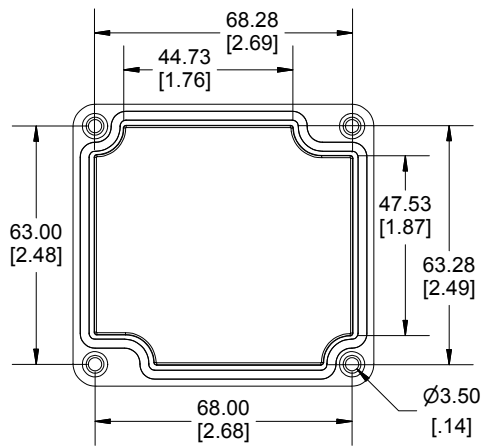
**SECTION A-A
END VIEW**



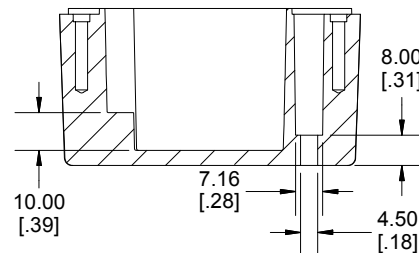
**SECTION B-B
SIDE VIEW**



INSIDE BOX



INSIDE LID



**SECTION C-C
MOUNTING HOLE**



Enclosures can be Factory Modified (Milling, Drilling, Printing etc.)
 Contact Factory mjm@hammondmfg.com for quotes
 Solid models of this enclosure available in STEP or IGES.
 (Part number and text placement/orientation on our products are subject to change,
 we do not recommend using them as a locating reference for modification purposes)

NOTE

Purchased assembly includes box, lid, silicone gasket,
 4 cover screws and 2 ground screws with washers.
 Box and lid are made from Diecast Aluminum Alloy.

Recommended cover screw Torque 5-7.5 lbf.in (50 -75 cN.m)

1590Z110	
1590Z110 Enclosure	
Basic Enclosure	1590Z110
Black Enclosure	1590Z110BK
Grey Enclosure - RAL7001 Gloss	1590Z110GY
ACCESSORIES	
Pre-Formed Silicone Gasket	1590Z110G
Copper Ground Hardware (2 Pack) [M4 - 0.7 X 6mm / M4 Washer]	SCGM4

Dimensions:
 mm
 [inches]

1590Z110
www.hammondmfg.com