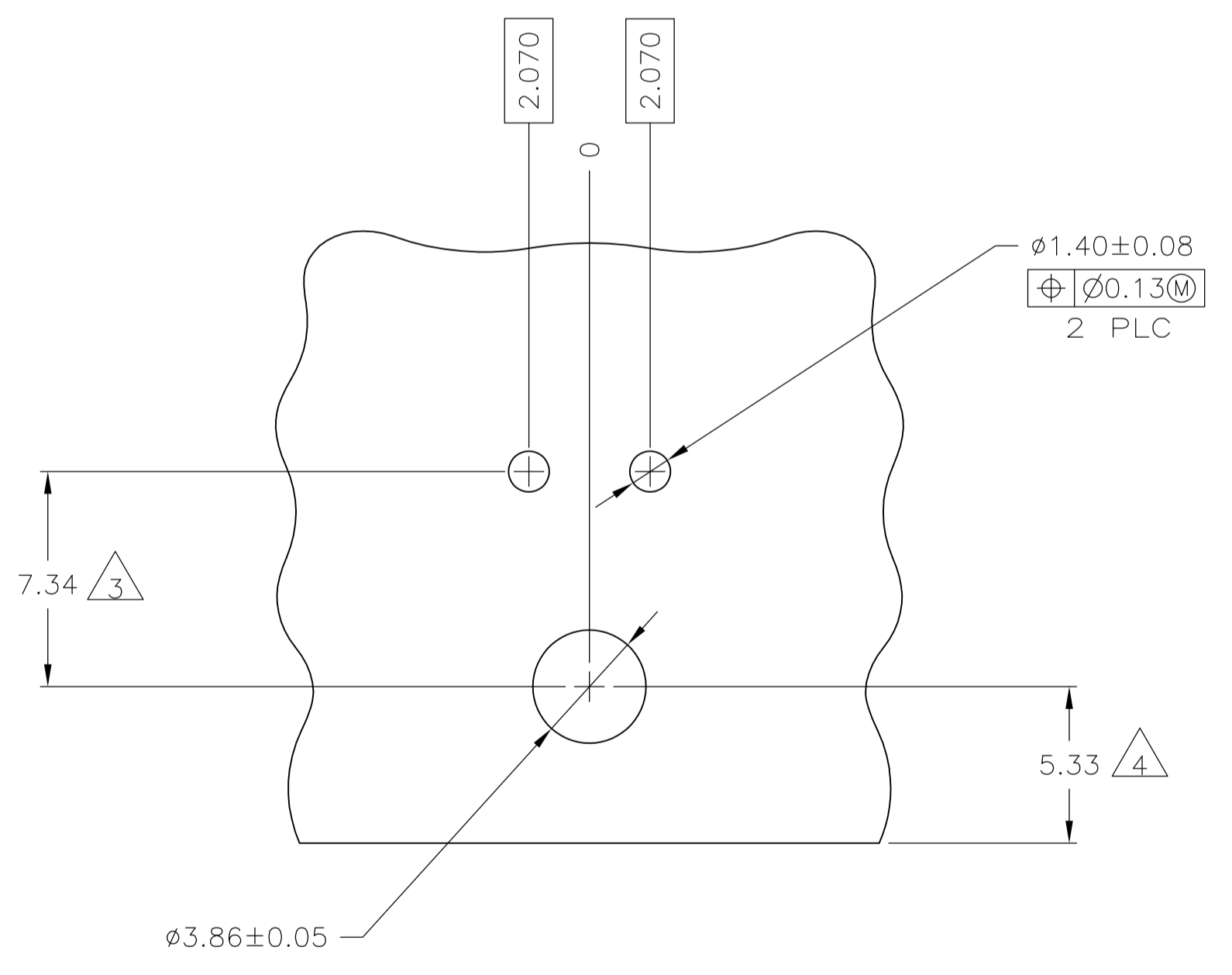
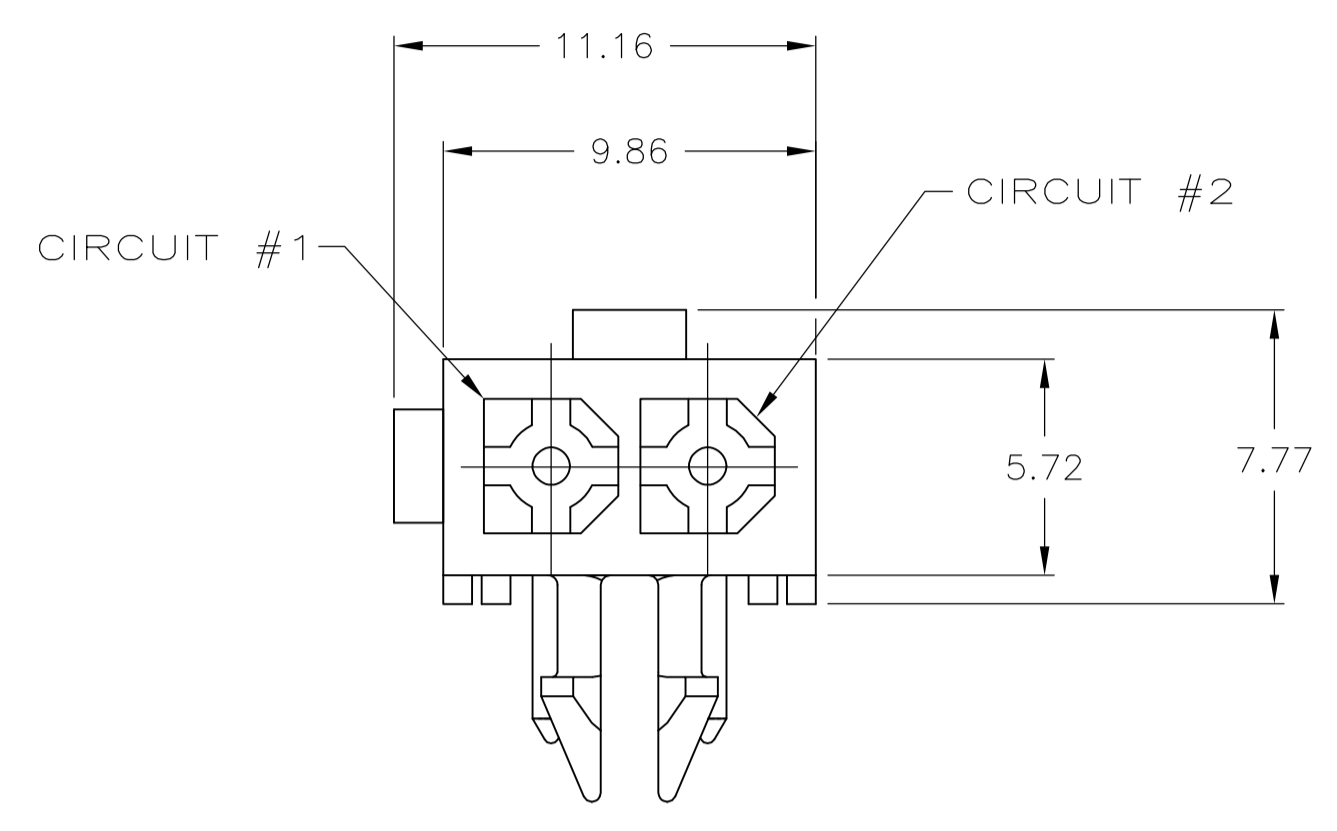
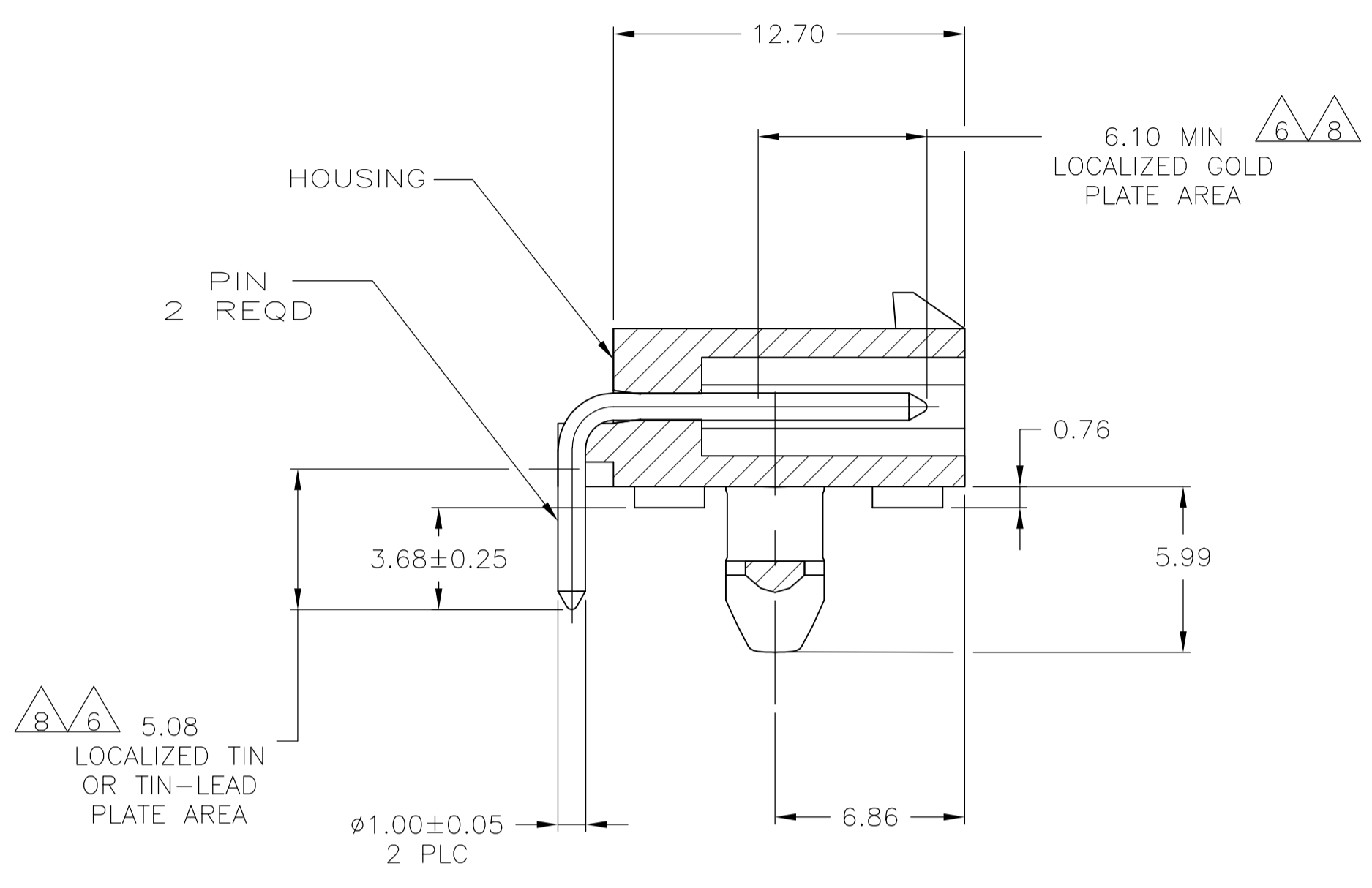


| LOC |     | DIST                      |           | REVISIONS |      |  |  |
|-----|-----|---------------------------|-----------|-----------|------|--|--|
| P   | LTR | DESCRIPTION               | DATE      | DMN       | APVD |  |  |
| G   |     | REVISED PER ECR-15-010337 | 23JUL2015 | RK        | SC   |  |  |



RECOMMENDED MOUNTING HOLE PATTERN FOR 1.57 THICK P.C. BOARD

- PINS TO COMPLY WITH AMP SOLDERABILITY SPEC 109-11-3.
- MATES WITH PLUG P/N 172165-1.
- COORDINATE DIMENSION APPLIES FROM CENTER OF ACTUAL FEATURE.
- RECOMMENDED FOR EDGE MOUNTING.
- 0.00381 MIN MATTE TIN LEAD OVER 0.00127 MIN NICKEL ENTIRE LENGTH OF PIN.
- 0.00076 MIN GOLD PLATE IN THE LOCALIZED PLATE AREA, 0.00381 MIN MATTE TIN LEAD IN THE LOCALIZED PLATE AREA, BOTH OVER 0.00127 MIN NICKEL.
- 0.00381 MIN MATTE TIN OVER 0.00127 MIN NICKEL ENTIRE LENGTH OF PIN.
- 0.00076 MIN GOLD PLATE IN THE LOCALIZED GOLD PLATE AREA, 0.00381 MIN MATTE TIN IN THE LOCALIZED TIN PLATE AREA, BOTH OVER 0.00127 MIN NICKEL.

| MM      | IN      | MM    | IN   |
|---------|---------|-------|------|
| 2.070   | .0815   | -     | -    |
| 1.57    | .062    | 12.70 | .500 |
| 1.40    | .055    | 9.86  | .388 |
| 1.00    | .039    | 7.34  | .289 |
| 0.76    | .030    | 6.86  | .270 |
| 0.25    | .010    | 6.10  | .240 |
| 0.13    | .005    | 5.99  | .236 |
| 0.08    | .003    | 5.72  | .225 |
| 0.05    | .002    | 5.33  | .210 |
| 0.00381 | .000150 | 5.08  | .200 |
| 0.00127 | .000050 | 3.86  | .152 |
| 0.00076 | .000030 | 3.68  | .145 |

CONVERSION TABLE

| MATERIAL | FINISH | MATERIAL       | COLOR | PART NO.   |
|----------|--------|----------------|-------|------------|
| BRASS    | 8      | NYLON, UL94V-0 | WHITE | 1-770966-1 |
| BRASS    | 7      | NYLON, UL94V-0 | WHITE | 1-770966-0 |
| BRASS    | 6      | NYLON, UL94V-0 | WHITE | 770966-2   |
| BRASS    | 5      | NYLON, UL94V-0 | WHITE | 770966-1   |

THIS DRAWING IS A CONTROLLED DOCUMENT.

|                    |  |                            |                         |                 |
|--------------------|--|----------------------------|-------------------------|-----------------|
| DIMENSIONS: mm     | TOLERANCES UNLESS OTHERWISE SPECIFIED: | DIN S. CARPENTER 24JUL2003 | APVD C. JONES 24JUL2003 | NAME            |
| 0 PLC ± -          | 1 PLC ± -                              | 2 PLC ± 0.13               | 3 PLC ± -               | 4 PLC ± -       |
| ANGLES ± -         |  |                            |                         |                 |
| MATERIAL SEE TABLE | FINISH SEE TABLE                       | WEIGHT -                   | SIZE A1                 | CAGE CODE 00779 |
| CUSTOMER DRAWING   |  | SCALE 5:1                  | SHEET 1 OF 1            | REV G           |

**STE** TE Connectivity

HEADER ASSEMBLY, RIGHT ANGLE, WITH SHORT PEG, 2 CIRCUIT, MINI UNIVERSAL MATE-N-LOK(TM)