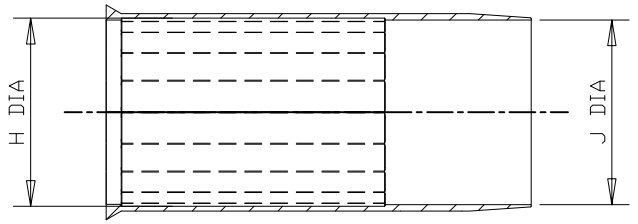
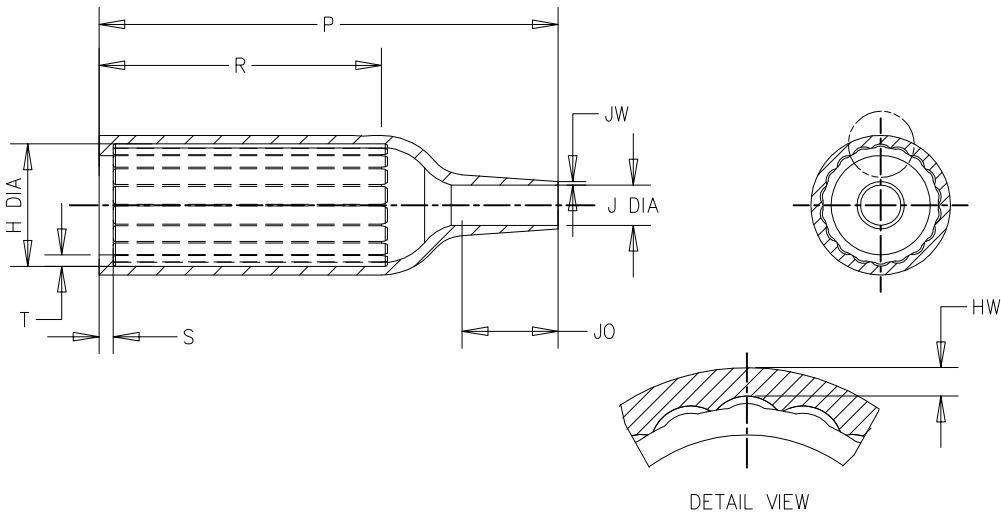


a) Part as supplied. 202K1\*\*-25L-0



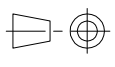
b) Part after unrestricted recovery.



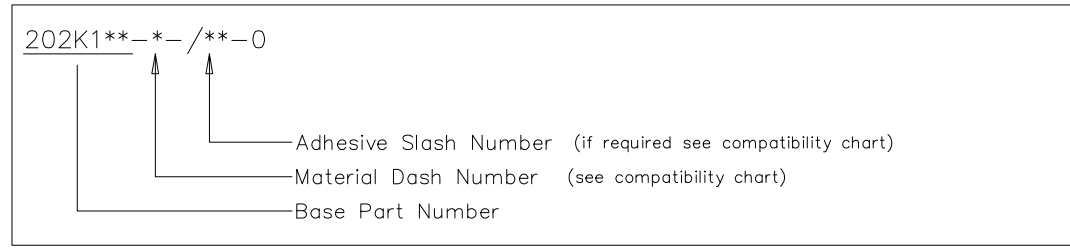
**DIMENSIONS** in millimetres  
{in inches, for reference}

Part No.	H		J		P	R	S	T	JO	HW	JW
	Min a	Max b	Min a	Max b							
202K121	24 {0.94}	10.4 {0.41}	24 {0.94}	5.6 {0.22}	38 {1.50}	21 {0.83}	3.0 {0.12}	1.0 {0.04}	8.5 {0.33}	1.3 {0.05}	0.9 {0.04}
202K132	30 {1.18}	14.2 {0.56}	30 {1.18}	5.9 {0.23}	55 {2.17}	32 {1.26}	3.0 {0.12}	1.0 {0.04}	11.5 {0.45}	1.3 {0.05}	1.0 {0.04}
202K142	31 {1.22}	18.0 {0.71}	31 {1.22}	7.1 {0.28}	67 {2.64}	35 {1.38}	3.0 {0.12}	1.0 {0.04}	17.0 {0.67}	1.2 {0.04}	1.0 {0.04}
202K153	36 {1.42}	22.4 {0.88}	36 {1.42}	8.4 {0.33}	80 {3.15}	42 {1.65}	3.0 {0.12}	1.0 {0.04}	19.5 {0.77}	1.5 {0.06}	1.0 {0.04}
202K163	43 {1.69}	28.2 {1.11}	43 {1.69}	9.9 {0.39}	99 {3.90}	61 {2.40}	3.0 {0.12}	1.7 {0.07}	21.0 {0.83}	2.0 {0.08}	1.2 {0.05}
202K174	60 {2.36}	35.1 {1.38}	60 {2.36}	15.7 {0.62}	130 {5.12}	72 {2.83}	3.0 {0.12}	1.7 {0.07}	39.0 {1.54}	2.3 {0.09}	1.5 {0.06}
202K185	66 {2.60}	44.5 {1.75}	66 {2.60}	16.8 {0.66}	170 {6.69}	90 {3.54}	3.0 {0.12}	2.0 {0.08}	51.5 {2.03}	1.8 {0.07}	2.0 {0.08}

Drawn N. NAGAR Checked N. SWATKO Issue 1 Date Oct 2014  
 Approval Design S. KURUP MKTG. A. POOLE Q.A. H. JOHNS  
 Conforms to ISO Recommendations  
 3rd Angle Projection  
 Not to Scale



Ordering Information



COMPATIBILITY CHART

Material Dash Number	Material Description	SPEC Number	Adhesive Coating Slash Number
-25L	LIGHT WEIGHT POLYMER, FLUID RESISTANT	RE-3040	/225

NOTES

- As supplies dimensions are for uncoated parts, when adhesive coating is added entry diameters will reduce by 1.5mm max.
- Parts will have a bump or depression on the inner surface at the material injection point.

Copyright(!)

The copyright in this drawing is the property of TE Connectivity. The drawing is issued on the condition that it is not copied, reproduced or disclosed to a third party, either in whole or in part without the prior written consent of TE Connectivity.

Tyco Electronics UK Ltd. Faraday Road, Swindon, Wiltshire, SN3 5HH England Telephone: (01793) 528171 Fax: 572516	Tyco Electronics Corporation 300, Constitution Drive, Menlo Park, CA 94025 USA Telephone (650) 361-3860 Fax: (650) 361-5579
Cage Code K1010	Cage Code 06090