

DO NOT SCALE FROM THIS PRINT

DESIGNED & DIMENSIONED IN MILLIMETERS [INCHES]

**THIS PRODUCT MANUFACTURED WITH LEAD-FREE PROCESSING**

FCF8-XX-XX-X-XX.XX-S-X

**No OF POSITIONS**  
 \*-05, -10, \*-15, -20  
 \*-25, -30, \*-35, \*-40

**LEAD STYLE**  
 \*-01: 38 AWG COAX  
 \*-02: 34 AWG TWINAX  
 \*-03: 32 AWG POWER

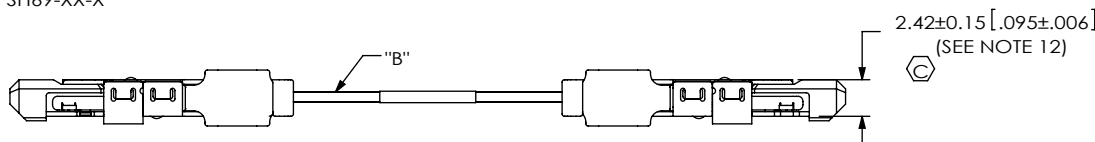
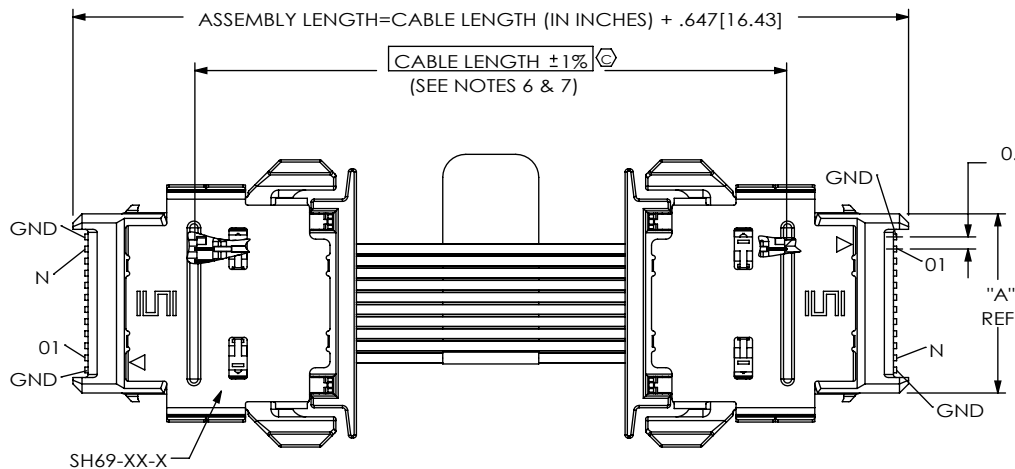
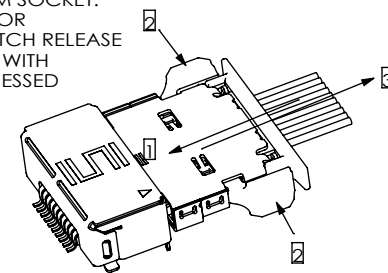
\* = NOT TOOLED

**WIRING OPTION**  
 -1: 1 TO 1 (SEE FIG. 2)  
 (LEAVE BLANK FOR 1 TO N)  
**ROW SPECIFICATION**  
 -S: SINGLE ROW

**CABLE LENGTH (IN INCHES)**  
 -XX.XX: 03.00 [76.2] MIN  
 (SEE NOTE 6)

**PLATING SPECIFICATION**  
 -L: 10µ" SELECTIVE GOLD IN CONTACT AREA, MATTE TIN ON TAIL

TO DISENGAGE CABLE FROM SOCKET:  
 FIRST, FULLY SEAT CONNECTOR  
 SECOND, FULLY DEPRESS LATCH RELEASE  
 THIRD, PULL STRAIGHT BACK WITH LATCH RELEASE DEPRESSED



**TABLE 4**  
**SIGNAL MAPPING**  
 FCF8-XX-XX-XX-XX-S  
**WIRING OPTION**

J1	NAME	J2
1	SIG	N
2	SIG	N-1
...	SIG	...
N-1	SIG	2
N	SIG	1

---

FCF8-XX-XX-X-XX-XX-S-1  
**WIRING OPTION**

J1	NAME	J2
1	SIG	1
2	SIG	2
...	SIG	...
N-1	SIG	N-1
N	SIG	N

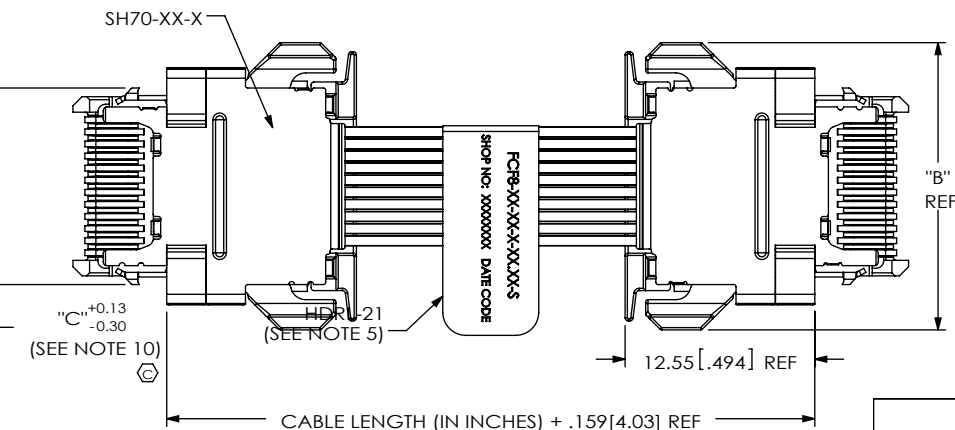
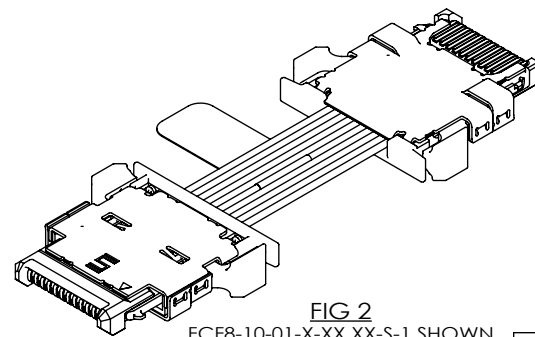


FIG 1  
 FCF8-10-01-X-XX.XX-S SHOWN



**TABLE 3**

No OF POSITIONS	"N" POSITION
*-05	05
-10	10
*-15	15
-20	20
*-25	25
-30	30
*-35	35
*-40	40

\* NOT TOOLED

**TABLE 1**

POSITION	"A"	"B"	"C"
*-05	7.85	15.00	9.00
-10	11.85	19.00	13.00
*-15	15.85	23.00	17.00
-20	19.85	27.00	21.00
*-25	23.85	31.00	25.00
-30	27.85	35.00	29.00
*-35	31.85	39.00	33.00
*-40	35.85	43.00	37.00

\* NOT TOOLED

**TABLE 2**

LEAD STYLE	"B"	AWG	TYPE
-01	TCF-3850-XX-01-TB-0315	38	COAX
*-02	GBTX-34100-01	34	TWINAX
*-03	CCS-158266-01-CC	32	POWER

\* NOT TOOLED  
 F:\DWG\MISC\MKTG\FCF8-XX-XX-X-XX.XX-S-X-MLT.DDDRW

NOTES:

- ⊗ REPRESENTS A CRITICAL DIMENSION.
- ⊗ ALL ASSEMBLIES TO BE 100% ELECTRICALLY TESTED FOR SHORTS & OPENS.
- ⊗ ALL ASSEMBLIES TO BE 100% HI-POT TESTED AT 300V.
- FOR SUB-ASSEMBLY AND FINISHED GOOD PACKAGING REQUIREMENTS, REFERENCE PACKAGING STANDARD CO-HD-WI-3033-M.
- LABEL TO BE CENTERED ON CABLE ASSEMBLY AS SHOWN. LABEL TO CONTAIN: PART NUMBER, SHOP ORDER, & DATE CODE.
- CABLE LENGTH GREATER THAN 40" [1016mm] IS A VALID PART NUMBER, BUT NOT SUPPORTED BY S.I. TEST DATA.
- CABLES LESS THAN 5" [127.0mm] HAVE A LENGTH TOLERANCE OF +/- .050" [1.27mm].
- DEFAULT SIGNAL MAPPING IS PIN 01 TO PIN N. OUTER GND POSITIONS ARE CONNECTED TO CONNECTOR SHELL AND WHEN APPLICABLE TO COAX AND TWINAX SHIELD. FOR PIN 01 TO PIN 01 SIGNAL MAPPING, SELECT WIRING OPTION -1.
- NOTE DELETED.
- ⊗ ACTUATE LATCHES TO ENSURE THEY WILL DEFLECT FLUSH WITH PLASTIC AND RETURN TO DIM "C" POSITION.
- ⊗ SOLDER THESE 3 LOCATIONS AFTER SHIELD HAS BEEN FULLY SEATED.
- MEASURE ACROSS SHIELDS AT A POINT CLOSEST TO THE END OF THE CABLE.

UNLESS OTHERWISE SPECIFIED, DIMENSIONS ARE IN MILLIMETERS. TOLERANCES ARE:  
 DECIMALS ANGLES  
 X.X: ±0.3 [.01] 2°  
 X.XX: ±0.13 [.005]  
 X.XXX: ±0.051 [.0020]

**PROPRIETARY NOTE**  
 THIS DOCUMENT CONTAINS CONFIDENTIAL AND PROPRIETARY INFORMATION AND ALL DESIGN, MANUFACTURING, REPRODUCTION, USE, PATENT RIGHTS AND SALES RIGHTS ARE EXPRESSLY RESERVED BY SAMTEC, INC. THIS DOCUMENT SHALL NOT BE DISCLOSED, IN WHOLE OR PART, TO ANY UNAUTHORIZED PERSON OR ENTITY NOR REPRODUCED, TRANSFERRED OR INCORPORATED IN ANY OTHER PROJECT IN ANY MANNER WITHOUT THE EXPRESS WRITTEN CONSENT OF SAMTEC, INC.

**MATERIAL:** DO NOT SCALE DRAWING SHEET SCALE: 2:1  
 OVERMOLD: LCP  
 TERMINAL: PHOS BRONZE  
 SHIELD: PHOS BRONZE

**DESCRIPTION:** FCF8 CABLE ASSEMBLY

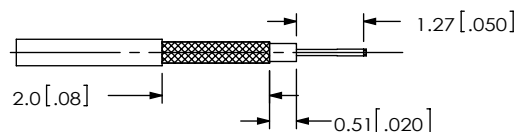
DWG. NO. **FCF8-XX-XX-X-XX.XX-S-X**

BY: D.SCHMELZ 8/18/2011 SHEET 1 OF 2

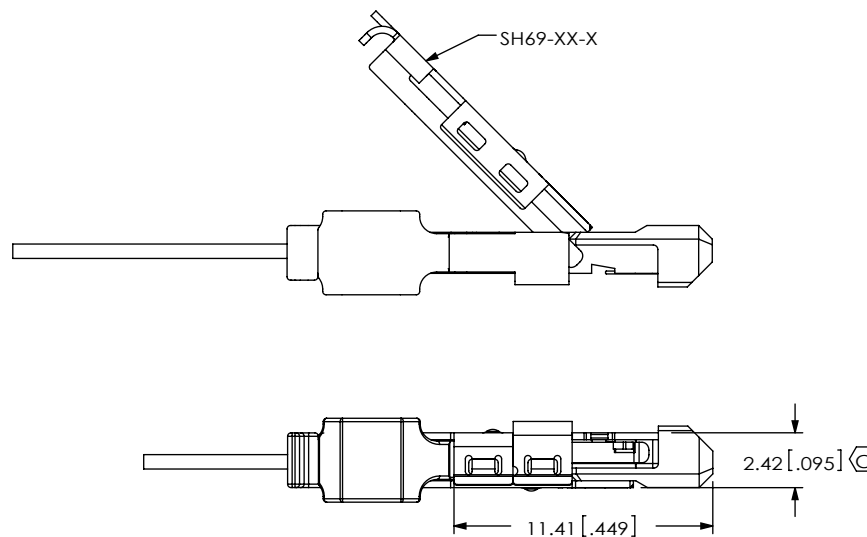


520 PARK EAST BLVD, NEW ALBANY, IN 47150  
 PHONE: 812-944-6733 FAX: 812-948-5047  
 e-Mail: info@SAMTEC.com code: 55322

**IN-PROCESS 1**  
CUT & PREP CABLES



**IN-PROCESS 3**  
ADD SH69-XX-X AS SHOWN THEN SH70-XX-X, HAND SEATED (BOTH ENDS OF CABLE)



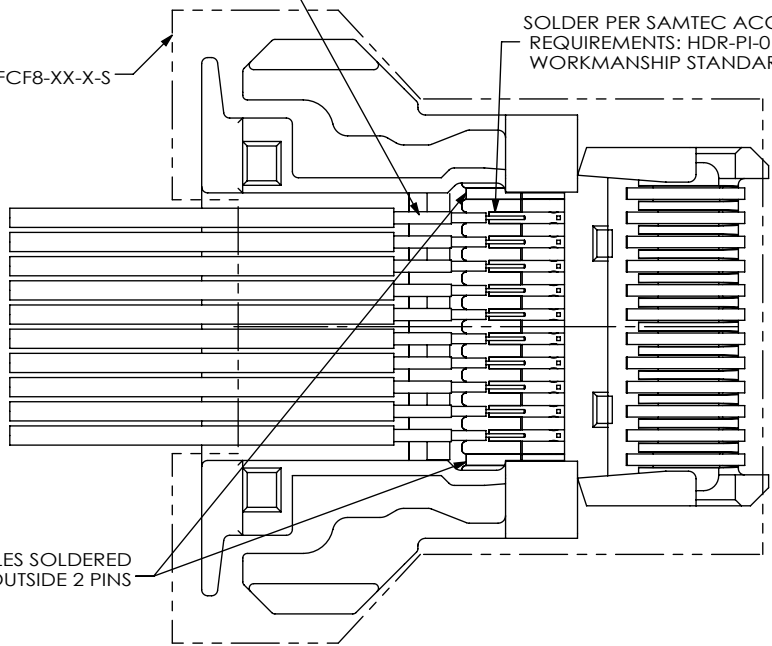
**IN-PROCESS 2**  
SOLDER CABLES TO SUB-FCF8-XX-X-S (BOTH ENDS OF CABLE)

SOLDER PER SAMTEC ACCEPTABILITY REQUIREMENTS: HDR-PI-01 "CABLE ASSEMBLY WORKMANSHIP STANDARDS".

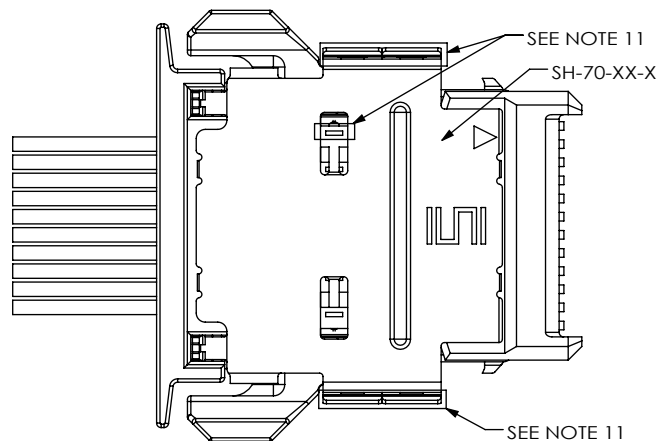
SRP-065-005-01 (PLACED ON TOP OF SHIELD, HIDDEN FOR CLARITY)

SUB-FCF8-XX-X-S

NO CABLES SOLDERED TO OUTSIDE 2 PINS



**IN-PROCESS 4**  
ADD SH70-XX-X, SEAT WITH PRESS



**PROPRIETARY NOTE**  
THIS DOCUMENT CONTAINS CONFIDENTIAL AND PROPRIETARY INFORMATION AND ALL DESIGN, MANUFACTURING, REPRODUCTION, USE, PATENT RIGHTS AND SALES RIGHTS ARE EXPRESSLY RESERVED BY SAMTEC, INC. THIS DOCUMENT SHALL NOT BE DISCLOSED, IN WHOLE OR PART, TO ANY UNAUTHORIZED PERSON OR ENTITY NOR REPRODUCED, TRANSFERRED OR INCORPORATED IN ANY OTHER PROJECT IN ANY MANNER WITHOUT THE EXPRESS WRITTEN CONSENT OF SAMTEC, INC.

DO NOT SCALE DRAWING  
SHEET SCALE: 3:1



520 PARK EAST BLVD, NEW ALBANY, IN 47150  
PHONE: 812-944-6733 FAX: 812-948-5047  
e-Mail: info@SAMTEC.com code: 55322

DESCRIPTION:	FCF8 CABLE ASSEMBLY
DWG. NO.	FCF8-XX-XX-X-XX.XX-S-X
BY: D.SCHMELZ	8/18/2011
SHEET 2 OF 2	