

DO NOT
SCALE FROM
THIS PRINT

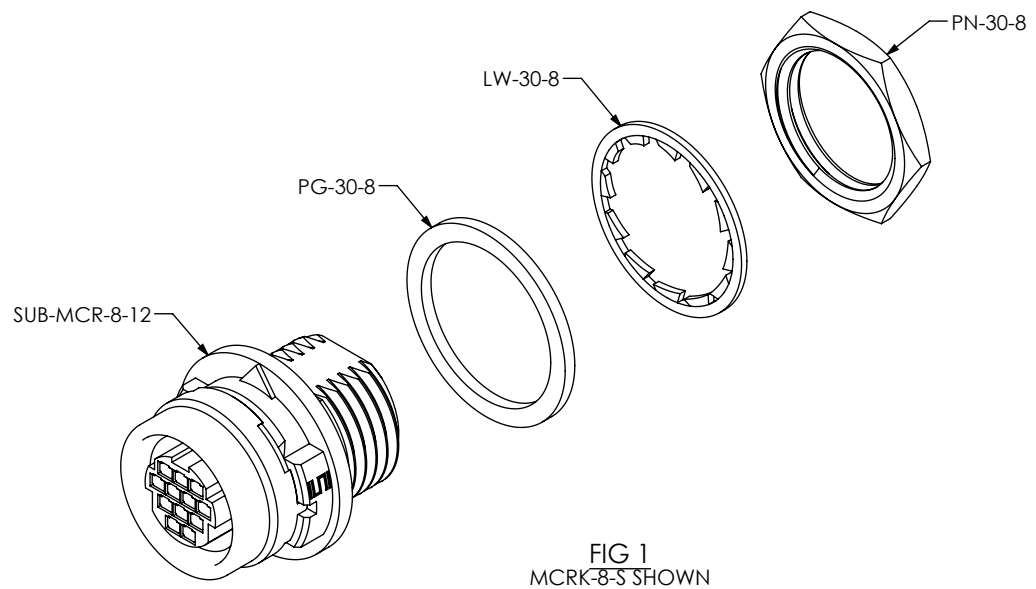
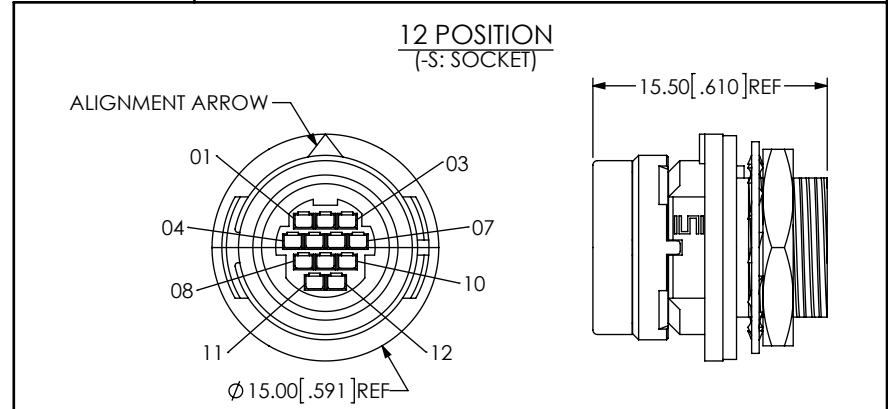
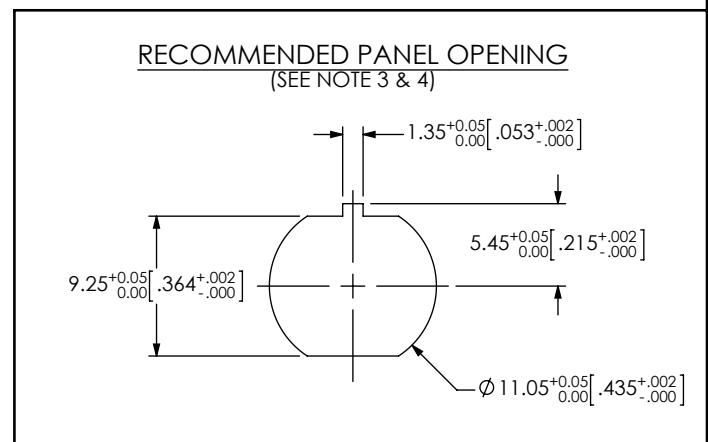


FIG 1
MCRK-8-S SHOWN



NOTES:

1. Ⓢ REPRESENTS A CRITICAL DIMENSION.
2. COMPONENTS TO BE PACKAGED PER PACKAGING STANDARDS CO-RF-WI-3001-M.
3. PANEL THICKNESS RANGE: 0.70[0.027] - 3.00[0.118].
4. WHEN MOUNTING PRODUCT TO PANEL TORQUE PN-30-8 TO 0.8 Nm[7.08 IN-LBS].
5. -S (SOCKET): REFERENCE DCA-MCR-8 PRINT FOR SOCKET DUSTCAP
6. PLACE HDRL-07 (LABEL) ON BAG. LABEL TO HAVE THE FOLLOWING PRINTED IN ARIAL FONT SIZE 9:
LINE 1 - "FOR ASSEMBLY INSTRUCTION SEE"
LINE 2 - "WWW.SAMTEC.COM/MCRKFTK"
LINE 3 - PART NUMBER "XXXXXX"
LINE 4 - SHOP ORDER NUMBER "XXXXXX"
7. -S (SOCKET): REFERENCE CC393-XXXX-X-X PRINT FOR CONTACTS

<p>UNLESS OTHERWISE SPECIFIED, DIMENSIONS ARE IN MILLIMETERS. TOLERANCES ARE: DECIMALS ANGLES X.X: ±0.3 [.01] 2° X.XX: ±0.13 [.005] X.XXX: ±0.051 [.0020]</p>	<p>PROPRIETARY NOTE THIS DOCUMENT CONTAINS INFORMATION CONFIDENTIAL AND PROPRIETARY TO SAMTEC, INC. AND SHALL NOT BE REPRODUCED OR TRANSFERRED TO OTHER DOCUMENTS OR DISCLOSED TO OTHERS OR USED FOR ANY PURPOSE OTHER THAN THAT WHICH IT WAS OBTAINED WITHOUT THE EXPRESSED WRITTEN CONSENT OF SAMTEC, INC.</p>	<p>samtec 520 PARK EAST BLVD. NEW ALBANY, IN 47150 PHONE: 812-944-6733 FAX: 812-948-5047 e-Mail: info@SAMTEC.com code 53322</p>
<p>MATERIAL: DO NOT SCALE DRAWING SHEET SCALE: 2:1 INSULATOR, C-RING: PPS GASKET: NEOPRENE RUBBER LOCK WASHER: PHOS BRONZE, Ni PLATED HEX NUT: BRASS, Ni PLATED</p>	<p>DESCRIPTION: MINI CIRC. PANEL KIT</p>	
<p>DWG. NO. MCRK-8-X BY: J. BORGELT 4/16/2013 SHEET 1 OF 1</p>		