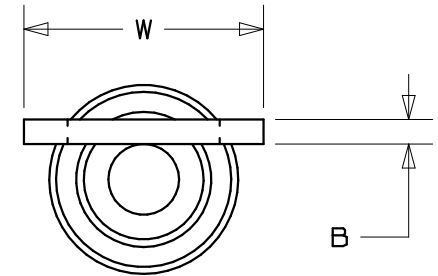
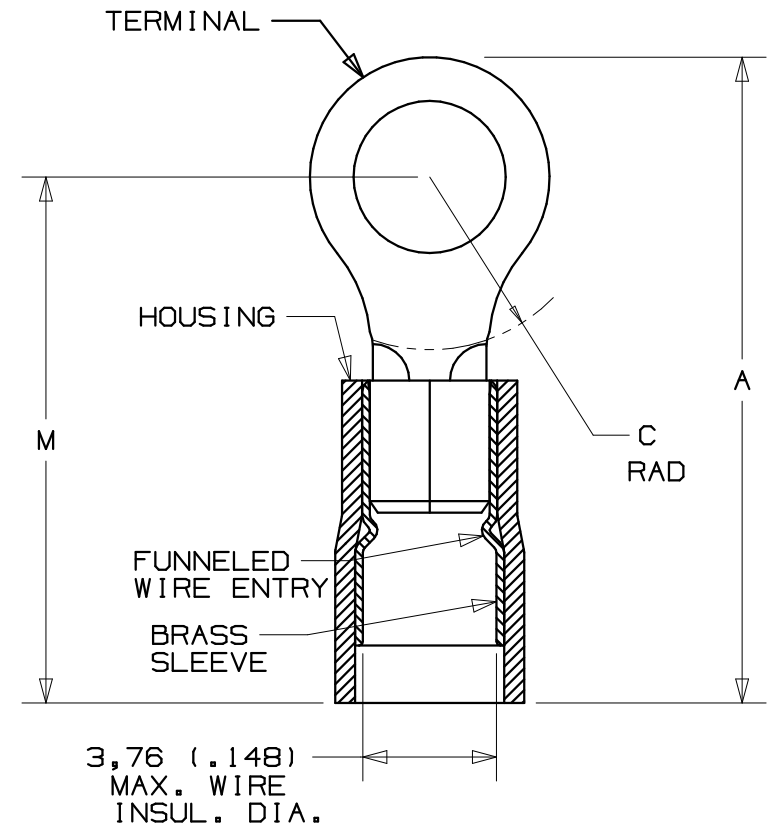


PART NUMBER	STUD SIZE	WIRE RANGE mm ²	DIMENSIONS mm				
			A ±,50	W ±,25	C ±,38	B ±,25	M ±,50
PMNF1-3R	M3	0,5-1,5 (22-18)	19,30 (.76)	5,84 (.23)	5,33 (.21)	,81 (.03)	16,76 (.66)
PMNF1-4R	M4	0,5-1,5 (22-18)	21,59 (.85)	7,87 (.31)	6,35 (.25)	,81 (.03)	17,78 (.70)
PMNF1-5R	M5	0,5-1,5 (22-18)	21,84 (.86)	8,89 (.35)	6,35 (.25)	,81 (.03)	17,53 (.69)
PMNF1-6R	M6	0,5-1,5 (22-18)	26,67 (1.05)	10,92 (.43)	9,65 (.38)	,81 (.03)	21,34 (.84)




NOTES:

- USED FOR:
 - A. 600V MAX. VOLTAGE RATING
 - B. 105°C (221°F) MAX. TEMP. RATING
 - C. STRANDED COPPER WIRE
- PACKAGE QTY:
 - A. -X =10, -C =100, -M =1000
- MATERIAL:
 - A. STAMPING: COPPER, TIN PLATED
 - B. HOUSING: NYLON, RED
- WIRE STRIP LENGTH: $5,6^{+,8}_{-0}$ ($7/32^{+1/32}_{-0}$)
- INSTALLATION TOOLS: REF DWGS. A41522, A41523, A41524, A41525
- DIMENSIONS IN BRACKETS ARE IN INCHES OR AWG



A41539_03

03	10/06	DAW	DAW	ADDED -X PACKAGE QTY.	TRO0171	LCA	TRO	 TINLEY PARK, ILLINOIS
02	10/97	TM	WJB	CHANGED DECIMAL POINTS TO COMMAS	06431	LCA	DH	
01	9/96	JB	RS	UPDATE DIMENSIONS	05056	LA	DH	
00	2/92	DL	SJ	RELEASED	00816	LA	KS	
0,5-1,5 mm ² METRIC NYLON INSULATED, FUNNELED ENTRY RING TERMINAL								
REV	DATE	BY	CHK	DESCRIPTION	ECN #	CUST	PM	DRAWN BY: DRL CHK'D: DL SCALE: NONE DRAWING NO.: A41539