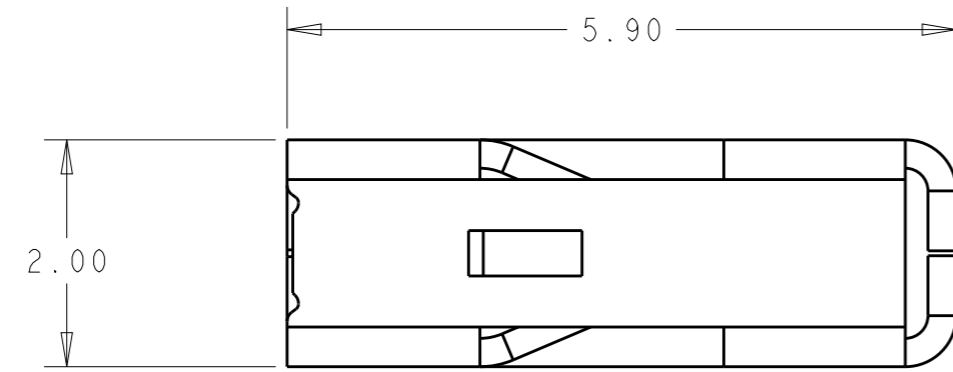


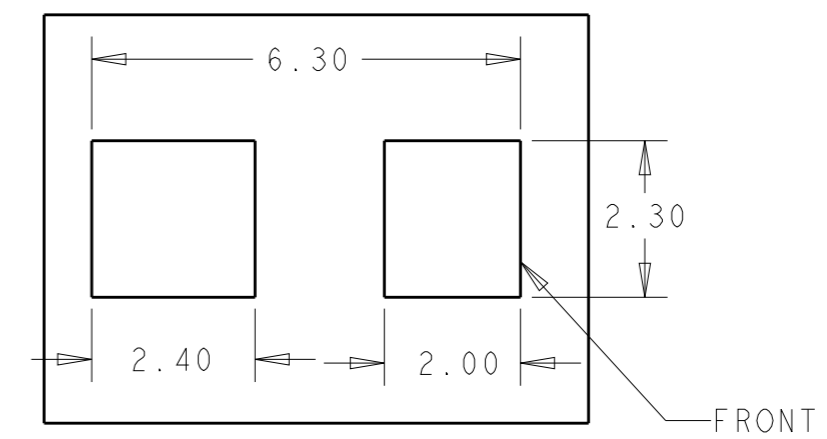
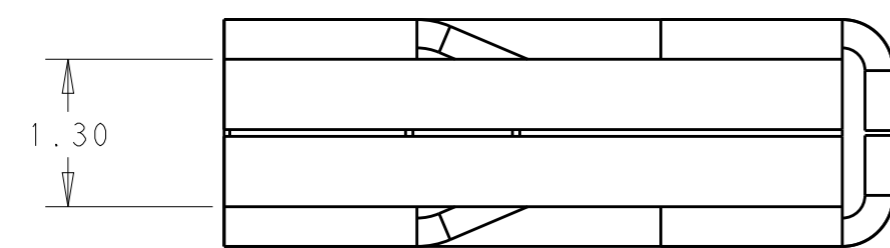
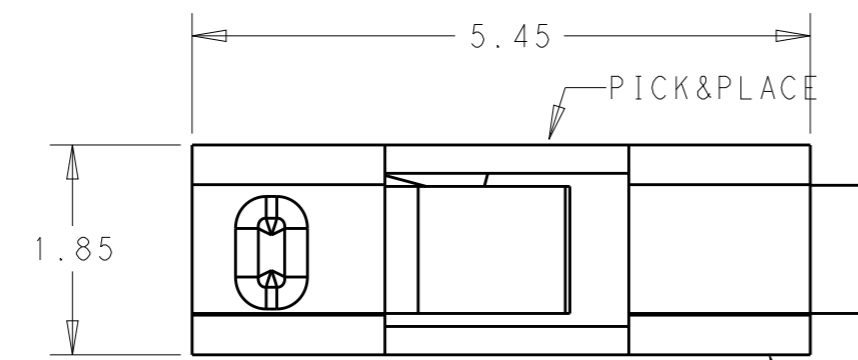
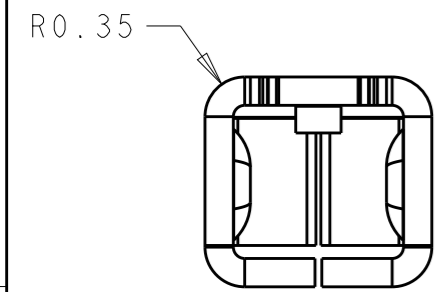
THIS DRAWING IS UNPUBLISHED. RELEASED FOR PUBLICATION 20  
 © COPYRIGHT 20 BY - ALL RIGHTS RESERVED.

REVISIONS					
P	LTR	DESCRIPTION	DATE	DWN	APVD
	A	FIRST VERSION	04AUG2016	G.F	S.M
	A1	ADD PART NO	27OCT2016	G.F	S.M



NOTES :

- MATERIALS AND FINISH:  
CONTACTS: COPPER ALLOY, FINISH: TIN OVER NICKEL UNDERPLATE
- MUST COMPLY WITH DIRECTIVE 2002/95/EC (ROHS)
- THIS PRODUCT HAS NOT COMPLETED VALIDATION TESTING
- WIRE TYPES AND SIZES ACCEPTED  
WIRE SIZE: 20AWG SOLID & STRANDED (CONDUCTOR NO:26)  
22AWG SOLID & STRANDED (CONDUCTOR NO:7)  
24AWG SOLID  
TIN-DIPPED FOR ALL STRANDED WIRE.  
WIRE INSULATION MUST BE OUT THE CONTACT.  
STRIP LENGTH: 6.0+/-0.3mm
- PACKAGED IN TAPE & REEL



SCALE 15:1

PART NO: 2834171-3

THIS DRAWING IS A CONTROLLED DOCUMENT.		DWN 27OCT2016 GEORGE FU				
DIMENSIONS: mm		CHK 27OCT2016 SHI MING				
TOLERANCES UNLESS OTHERWISE SPECIFIED:		APVD 27OCT2016 XU XIANG				
0 PLC ± 1 PLC ±0.20 2 PLC ±0.13 3 PLC ± 4 PLC ± ANGLES ±		NAME SMT ULTRAMINUATURE SLIM CONTACT				
MATERIAL TBD	FINISH -	PRODUCT SPEC 108-137166	SIZE A3	CAGE CODE -	DRAWING NO C-2834171	RESTRICTED TO -
CUSTOMER DRAWING		APPLICATION SPEC 114-137166	SCALE 9:1	SHEET 1 OF 1	REV A1	