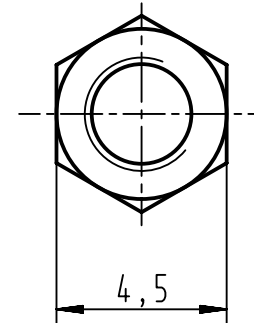
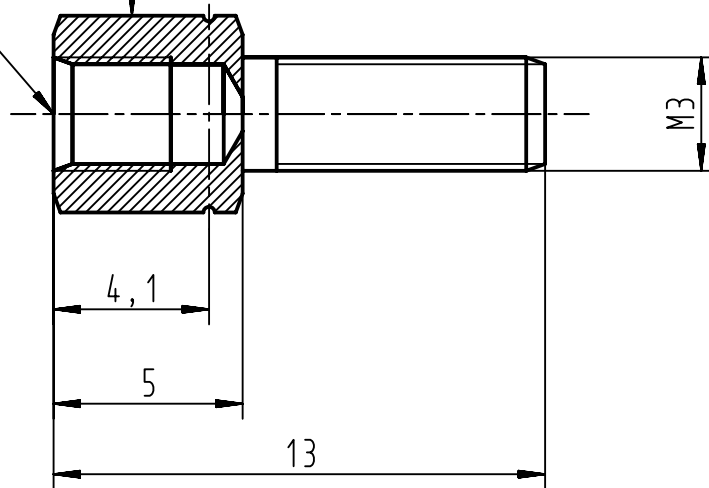


4-40UNC-2B

Nickel plated brass



	All Dimensions in mm Original Size DIN A4	Scale 5:1	Free size tol.			Ref.
	All rights reserved Department EC PD - FR	Created by DOUGE	Inspected by BAGDIKIAN	Standardisation HOFFMANN	Date 2013-02-15	State Final Release
HARTING Electronics GmbH D-32339 Espelkamp	Title D-Sub female screw lock				Doc-Key / ECM-Nr. 100529200/UGD/001/A 500000059016	
		Type TB	Number 09670019954		Rev. A	Page 1/1