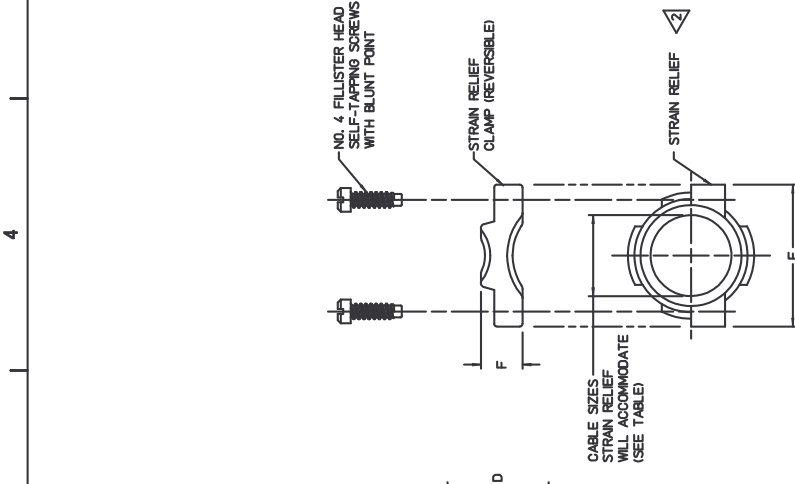
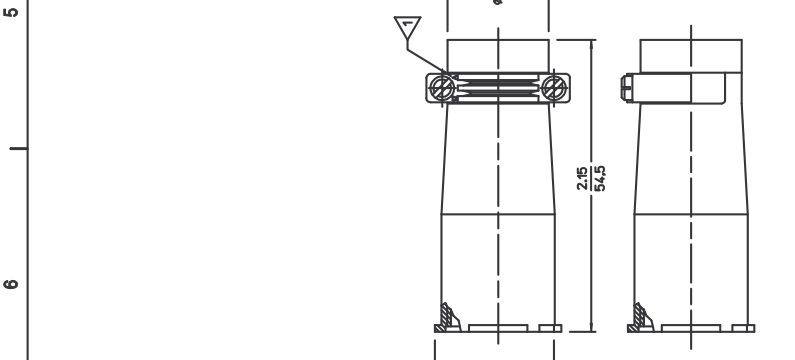


CATALOG NUMBER	CABLE RANGE			
	C	D	E	F
MB94S-1	4.8 12.2	5.0 15.0	7.0 20.1	21 5.3
MB94S-2	7.4 18.8	8.3 21.1	10.4 26.5	31 7.9
MB94S-3	8.4 21.3	9.6 24.4	11.4 28.0	37 9.4
MB94S-4	10.6 26.7	11.4 28.0	13.6 34.5	44 11.3
MB94S-5	8.4 21.3	9.6 24.4	11.4 28.0	37 9.4



NOTES: UNLESS OTHERWISE SPECIFIED,

- CABLE RANGE IDENTIFICATION LETTER (SEE TABLE).
- MB923P-4P2 (COLLET) AND MB923P-4P3 (STRAIN RELIEF) CAN ALSO BE USED WITH THE MB930P/R- CONNECTORS. FOR DETAILS SEE S082438.
- STRAIN RELIEF AND CLAMP ARE SUPPLIED UNASSEMBLED AND PACKAGED IN POLYETHYLENE BAG.
- SAME AS MB94S-1 EXCEPT FOR SHORTER SCREWS DUE TO SPECIAL CABLE SIZE USED BY CUSTOMER.
- INTERPRET THIS DRAWING IN ACCORDANCE WITH ANSI Y14.5M-1994.

MATERIAL:
 STRAIN RELIEF - THERMOPLASTIC POLYESTER COLOR BLACK (UL94V-0)
 STRAIN RELIEF CLAMP - THERMOPLASTIC POLYESTER COLOR BLACK (UL94V-0)
 SCREWS - STEEL

FINISH:
 SCREWS - BLACK OXIDE FINISH OVER ZINC PLATING

REV	DESCRIPTION	DATE	BY	CHKD
1	BANTAMTE II SERIES			

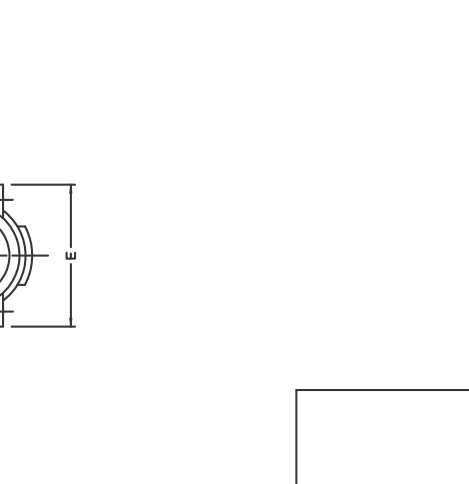
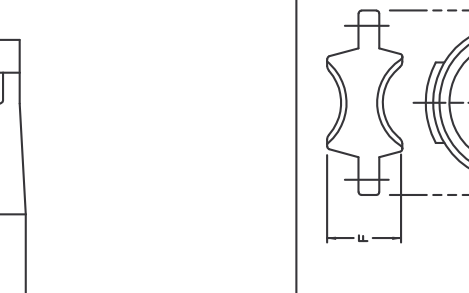
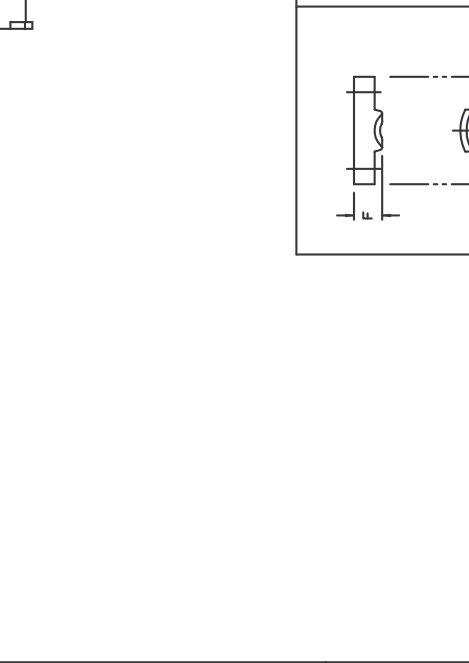
CAT NO:	MB94S-1
DATE:	08/20/02
REV:	D
DESCRIPTION:	STRAIN RELIEF CLAMP
DATE:	08/20/02
BY:	MB94S-1
CHKD:	MB94S-1
APP'D:	MB94S-1
DATE:	08/20/02
REV:	U
DATE:	08/20/02
BY:	MB94S-1
CHKD:	MB94S-1
APP'D:	MB94S-1
DATE:	08/20/02

UNLESS OTHERWISE SPECIFIED, ALL DIMENSIONS ARE IN INCHES. DIMENSIONS IN PARENTHESES ARE METRIC EQUIVALENTS. DIMENSIONS IN METRIC ARE SHOWN IN PARENTHESES.

SOURLAU
 COMMUNICATION TECHNOLOGY

CUSTOMER

WWW.SOURLAU.COM



REV	DESCRIPTION	DATE	BY	CHKD
1	BANTAMTE II SERIES			

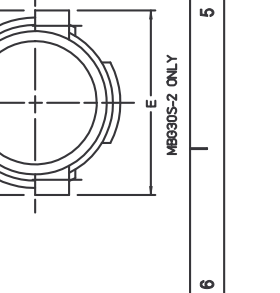
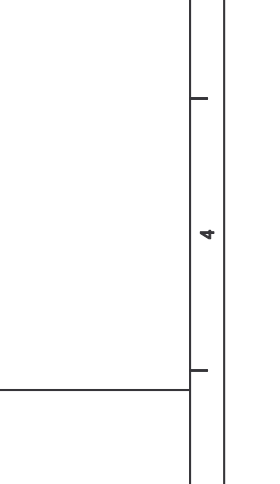
CAT NO:	MB94S-1
DATE:	08/20/02
REV:	D
DESCRIPTION:	STRAIN RELIEF CLAMP
DATE:	08/20/02
BY:	MB94S-1
CHKD:	MB94S-1
APP'D:	MB94S-1
DATE:	08/20/02

UNLESS OTHERWISE SPECIFIED, ALL DIMENSIONS ARE IN INCHES. DIMENSIONS IN PARENTHESES ARE METRIC EQUIVALENTS. DIMENSIONS IN METRIC ARE SHOWN IN PARENTHESES.

SOURLAU
 COMMUNICATION TECHNOLOGY

CUSTOMER

WWW.SOURLAU.COM



REV	DESCRIPTION	DATE	BY	CHKD
1	BANTAMTE II SERIES			