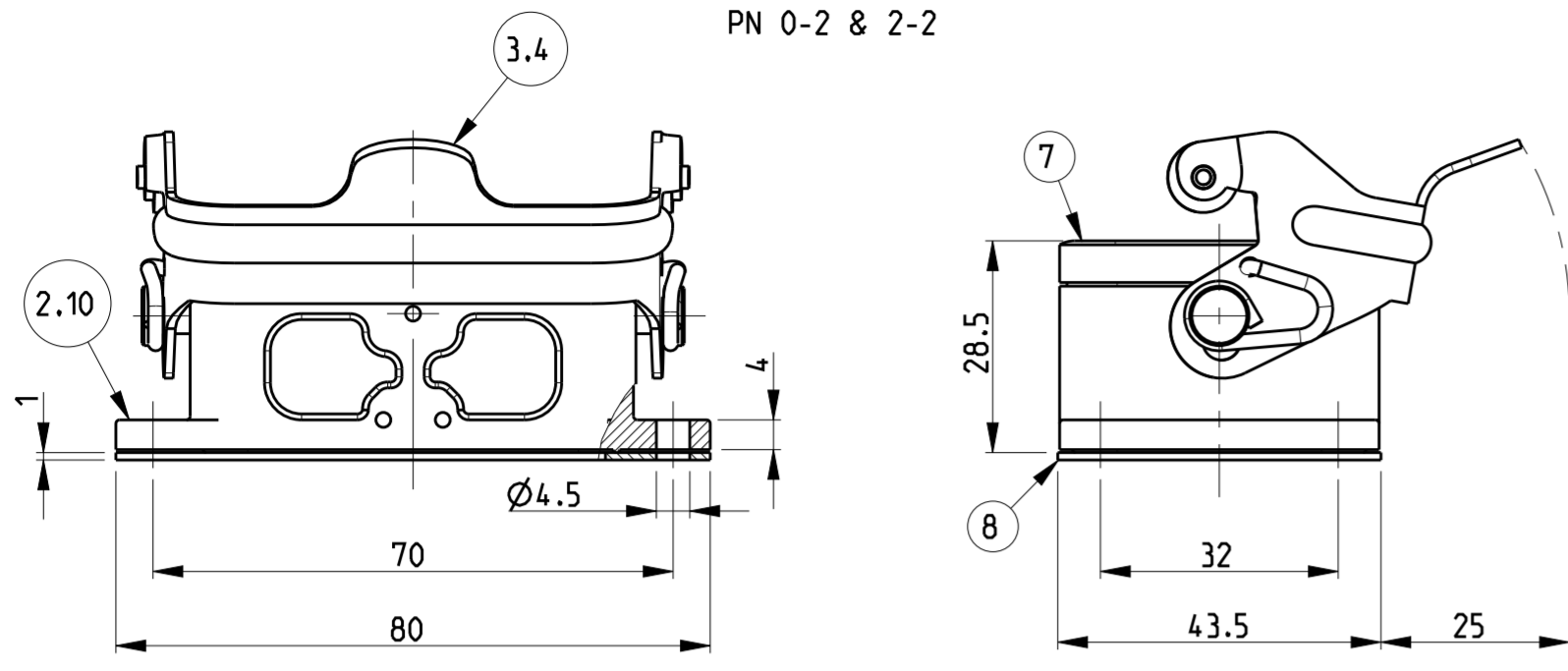


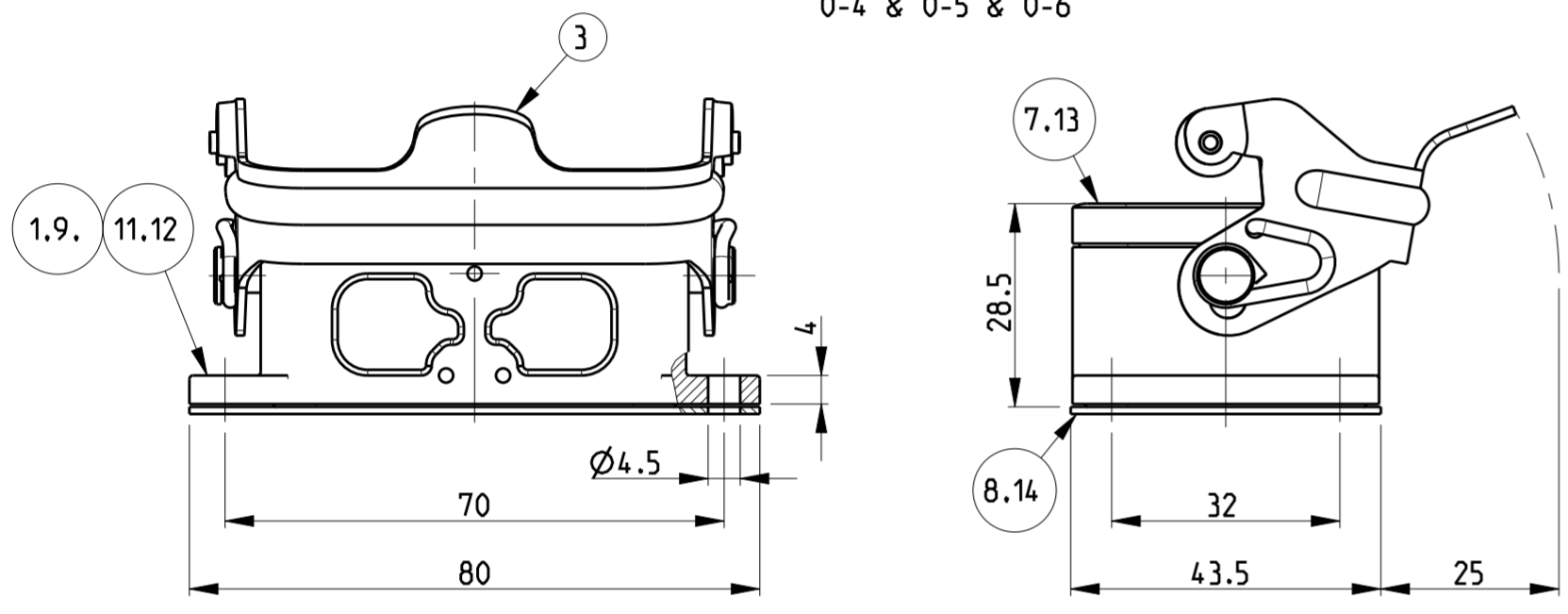
THIS DRAWING IS UNPUBLISHED. RELEASED FOR PUBLICATION .1997
 © COPYRIGHT 1997 BY - ALL RIGHTS RESERVED.

REVISIONS					
P	LTR	DESCRIPTION	DATE	DWN	APVD
A8		ECR - 001736	17SEP2009	GW	ST
B		ECR-15-015803	19APR2016	GCM	JB

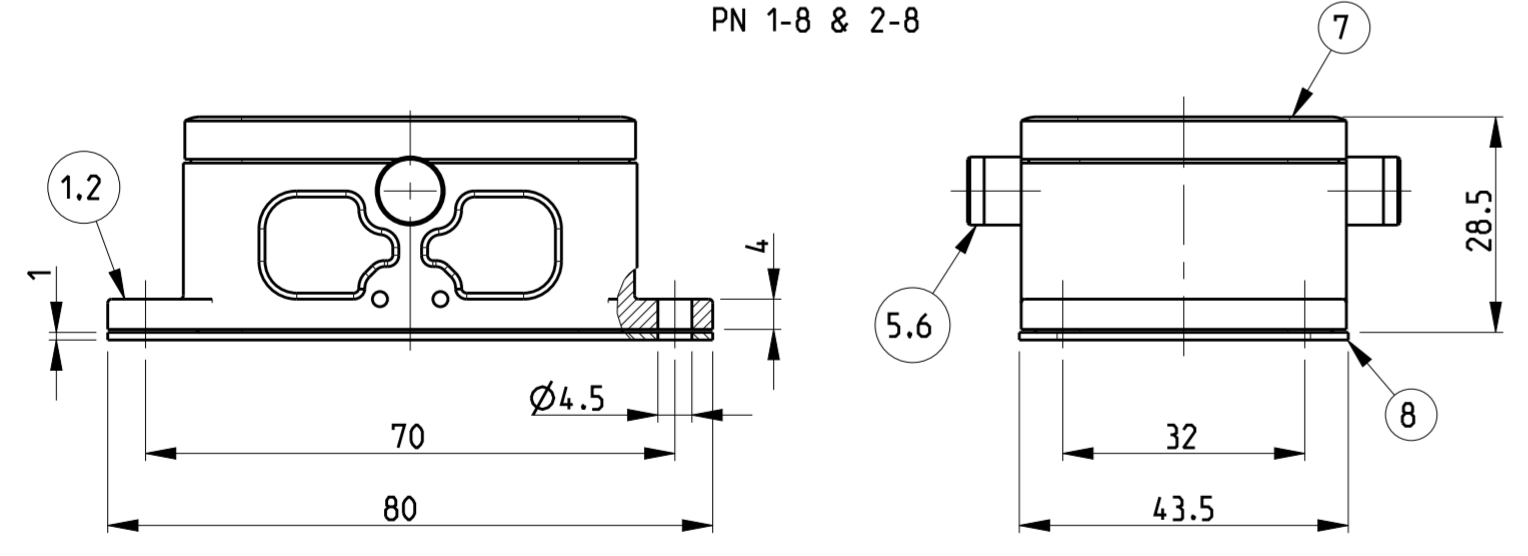
PN 0-2 & 2-2



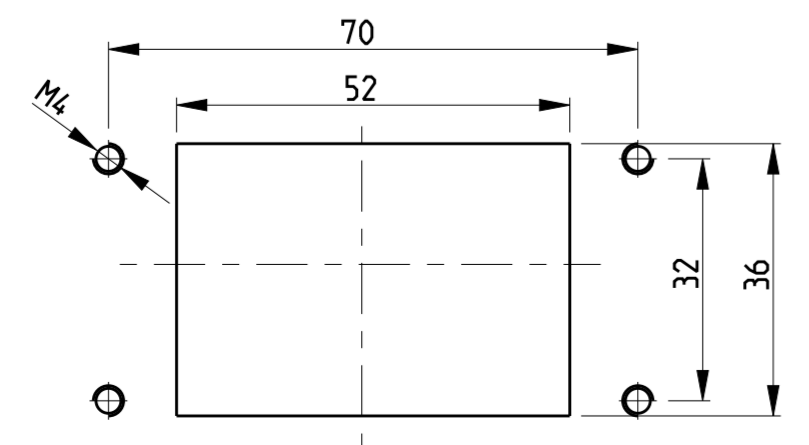
PN 1-2.0-1.0-3, 0-4 & 0-5 & 0-6



PN 1-8 & 2-8

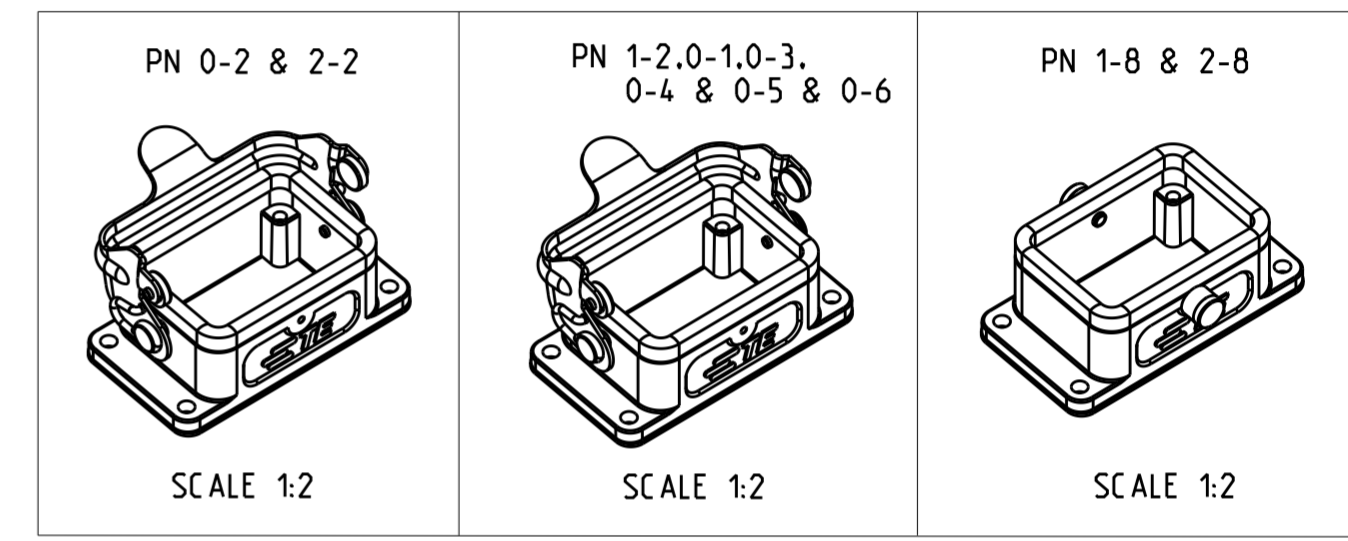


Panel cut-out



NOTES.

- Material:Housing:Aluminium Diecasting Alloy
Seals: Neoprene
- Surface-Varnish Grey
-Aluminium Oxide +
Varnish Black
- Varnish on the inside not necessary
- Packaging
Quantity 5 Pieces in a box



OBSOLETE

QTY	DESCRIPTION	MATERIAL	SURFACE	COLOR	ITEM NO	NOTES
1	Flange seal	Viton			14	
1	Profile seal	Viton			13	
1	Surface mounted housing bottom entry HB	Aluminium		White RAL 9010	12	Without Logo
1	Surface mounted housing bottom entry HB	Aluminium		Grey	11	Without Logo
1	Surface mounted housing bottom entry HB	Aluminium		Without varnish	10	
1	Surface mounted housing bottom entry HB	Aluminium		Borning ried	9	
1	Flange seal	Neoprene		Black	8	
1	Profile seal	Neoprene		Black	7	
2	ZB-Clip bolt	Stainless steel			6	
2	ZB-Clip bolt	Steel	Zinc plated	Blue	5	
1	LB-Side clip	Stainless steel			4	
1	LB-Side clip	Steel	Zinc plated	Blue	3	
1	Surface mounted housing bottom entry HB-K	Aluminium	Aluminium oxide	Black	2	
1	Surface mounted housing bottom entry HB	Aluminium		Grey	1	

ORDERING TEXT
 HB.6.AG-LB
 HB-K.6.AG-LB
 HB-Z.6.AG-ZVGR
 HB-K/Z.6.AG-ZVGR
 HB.6.AG-LB
 HB.6.AG-LB
 HB.6.AG-LB
 HB.6.AG-LB.KM
 HB.6.AG-LB
 HB.6.AG-LB

D

D

C

C

B

B

A

A

THIS DRAWING IS A CONTROLLED DOCUMENT. DWN Schweiger 23.07.1997
 CHK Kramer 26.06.1998
 APVD

DIMENSIONS: mm

TOLERANCES UNLESS OTHERWISE SPECIFIED:
 0 PLC ±
 1 PLC ±
 2 PLC ±
 3 PLC ±
 4 PLC ±
 ANGLES ±
 FINISH

PRODUCT SPEC 108-74001/74003
 APPLICATION SPEC 114-74004/74005
 WEIGHT -

CUSTOMER DRAWING

NAME Surface mounted housing bottom entry HB6

SIZE A2 CAGE CODE 00779 DRAWING NO C-1102244 RESTRICTED TO -

SCALE 1:1 SHEET 1 OF 1 REV B