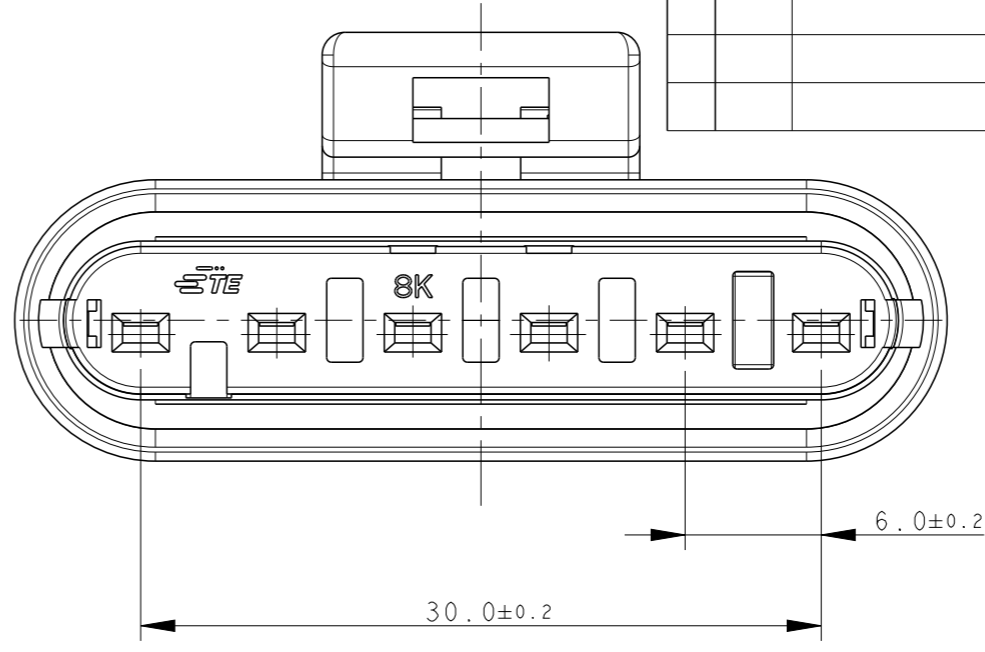
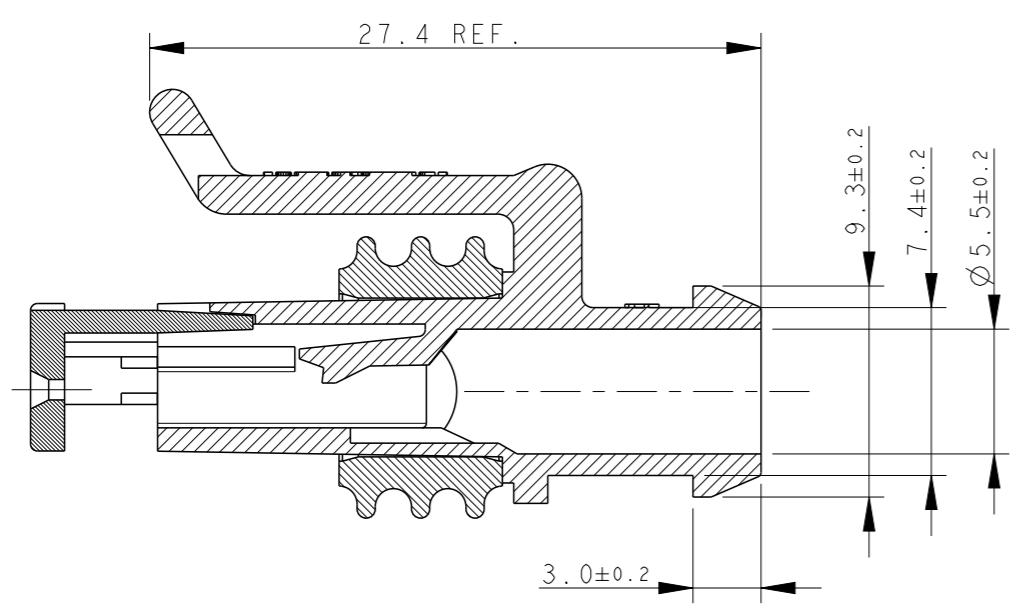


THIS DRAWING IS UNPUBLISHED. RELEASED FOR PUBLICATION 2011 ALL RIGHTS RESERVED.

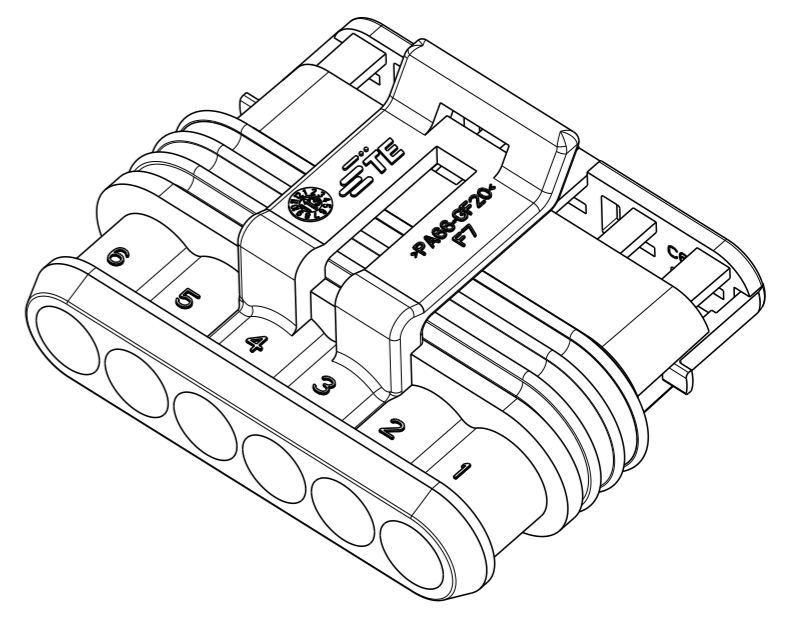
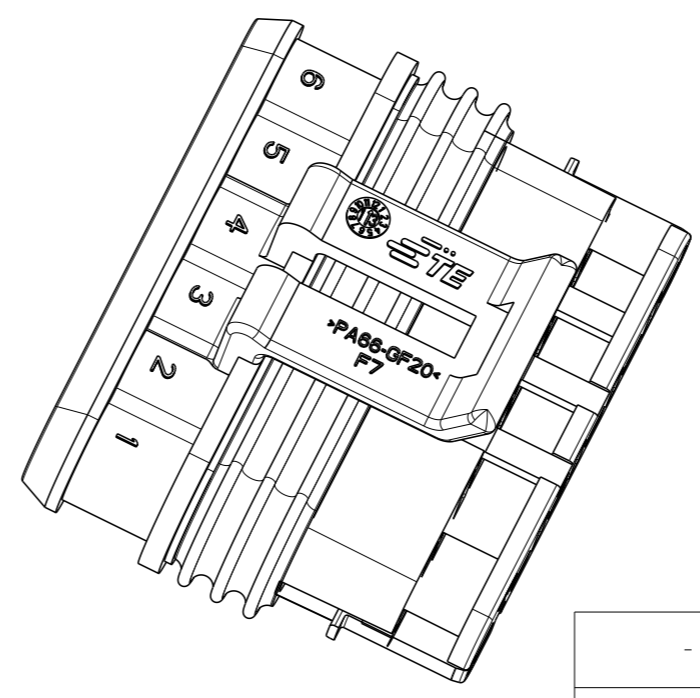
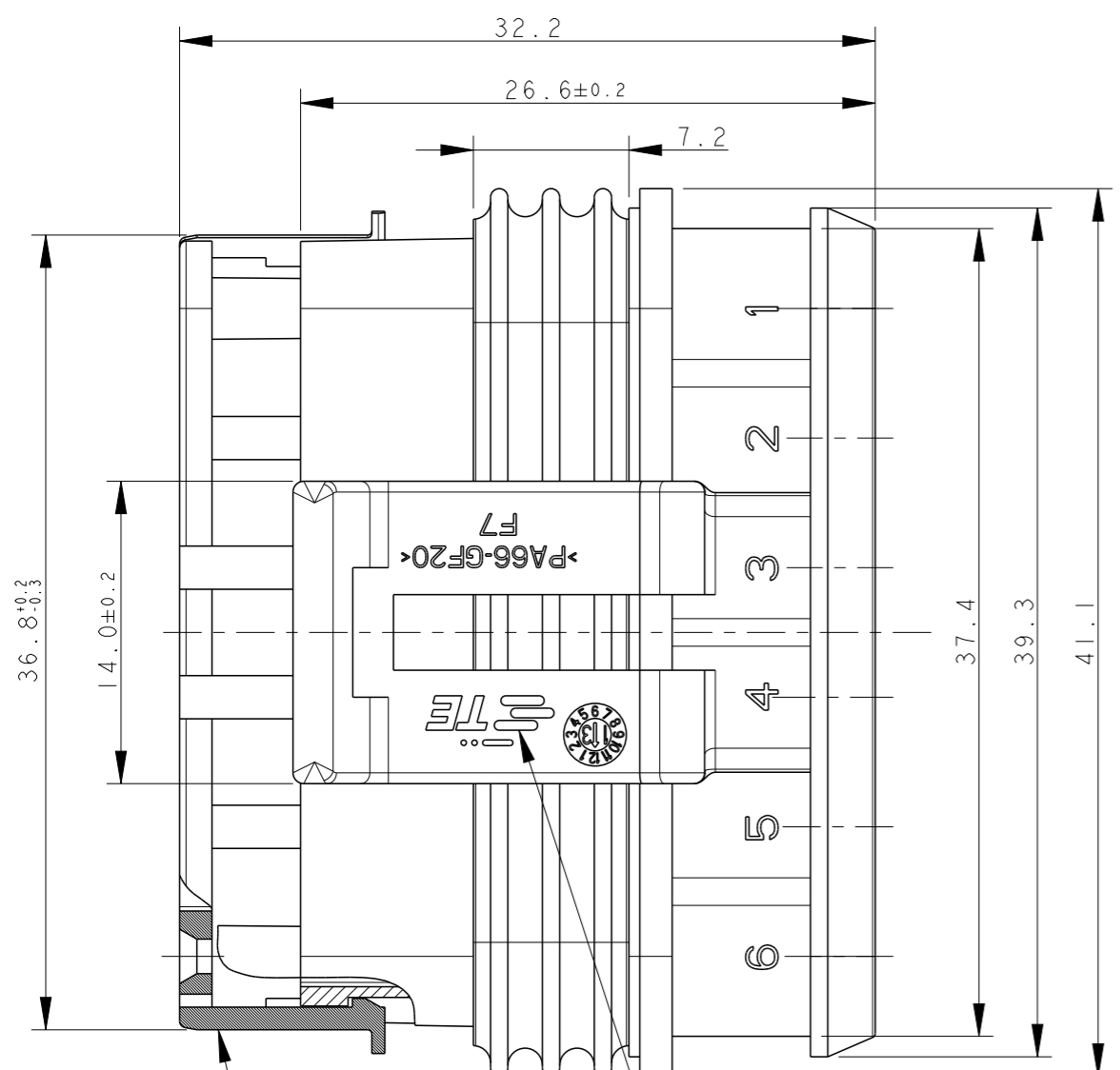
© COPYRIGHT 2011

REVISIONS

P	LTR	DESCRIPTION	DATE	DWN	APVD
	D	ECR-14-009314	24MAR2015	M.P.	M.G.



NOT YET RELEASED FOR PRODUCTION



1) FOR COUNTERPART DETAILS, SEE SHEET 2 OF 2

NOTE	FINISH/COLOR	MATERIAL	PART NUMBER
-	BLACK	PA66-GF	1745058-1

TE CONNECTIVITY TRADE MARK, (IN ALTERNATIVE: "AMP" LOGO, OR "Tyco Electronics" LOGO)

SEALING (SILICONE RUBBER)

PRE-ASSEMBLED SECONDARY LOCK (RED COLOR)

THIS DRAWING IS A CONTROLLED DOCUMENT.

DIMENSIONS: mm	TOLERANCES UNLESS OTHERWISE SPECIFIED: 0 PLC ±- 1 PLC ±0.3 2 PLC ±- 3 PLC ±- 4 PLC ±- ANGLES ±2°
MATERIAL SEE TABLE (VEDI TABELLA)	FINISH SEE TABLE (VEDI TABELLA)

DWN M. PALMA 22-06-2005	NAME -
CHK R. MARTINI 22-06-2005	
APVD -	PRODUCT SPEC 108-20090
APPLICATION SPEC 412-20000	WEIGHT 6.55gr
CUSTOMER DRAWING	

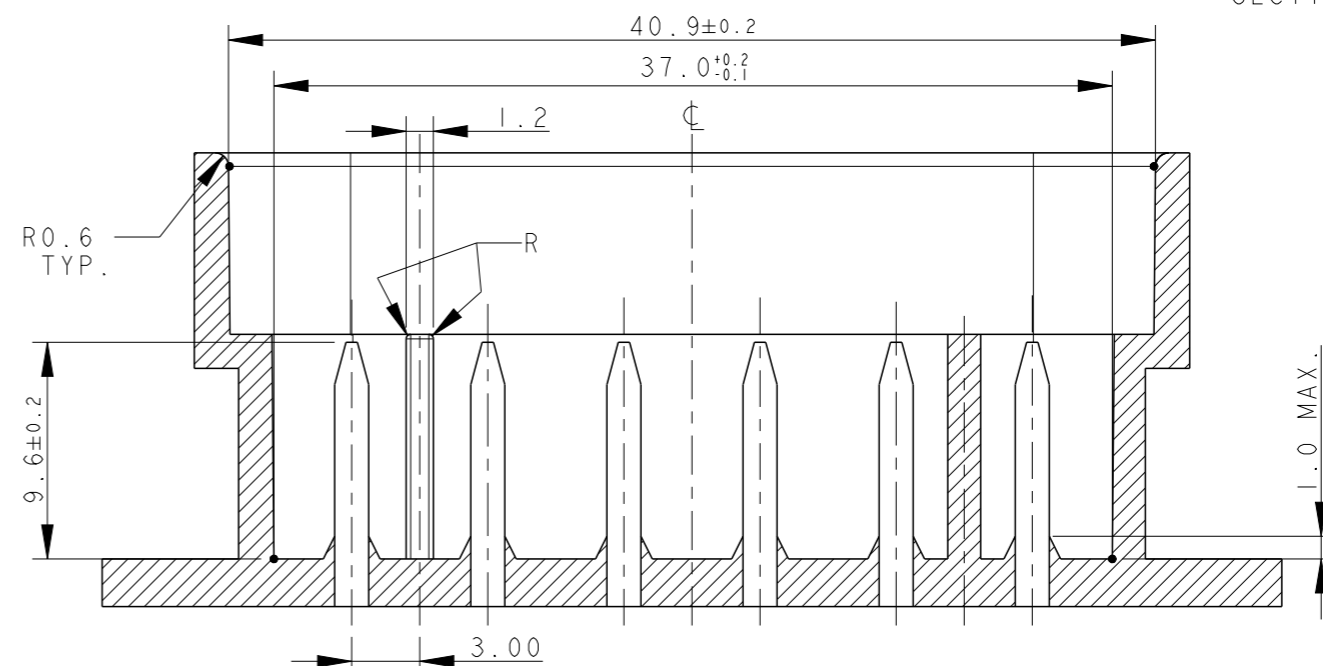
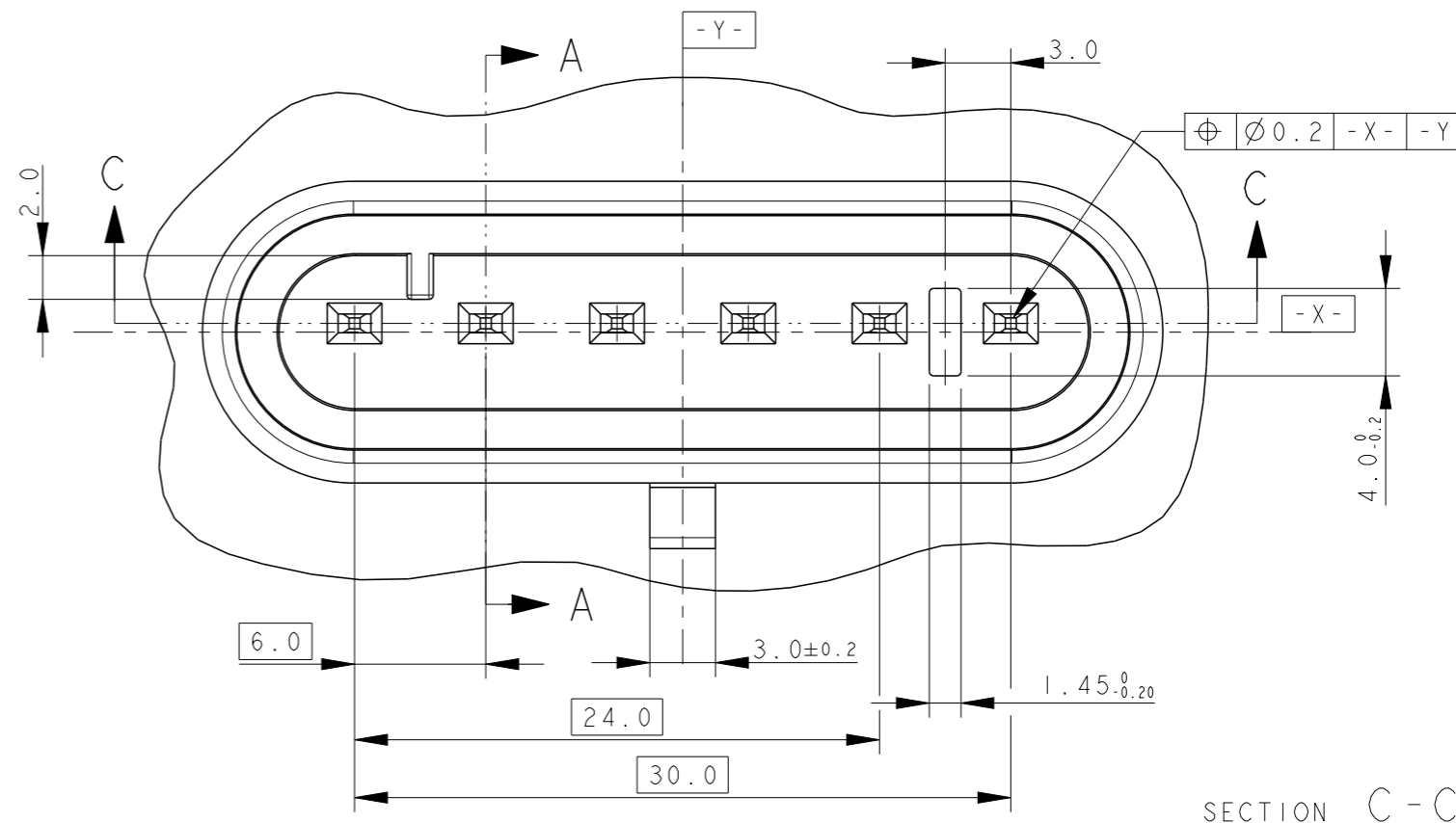
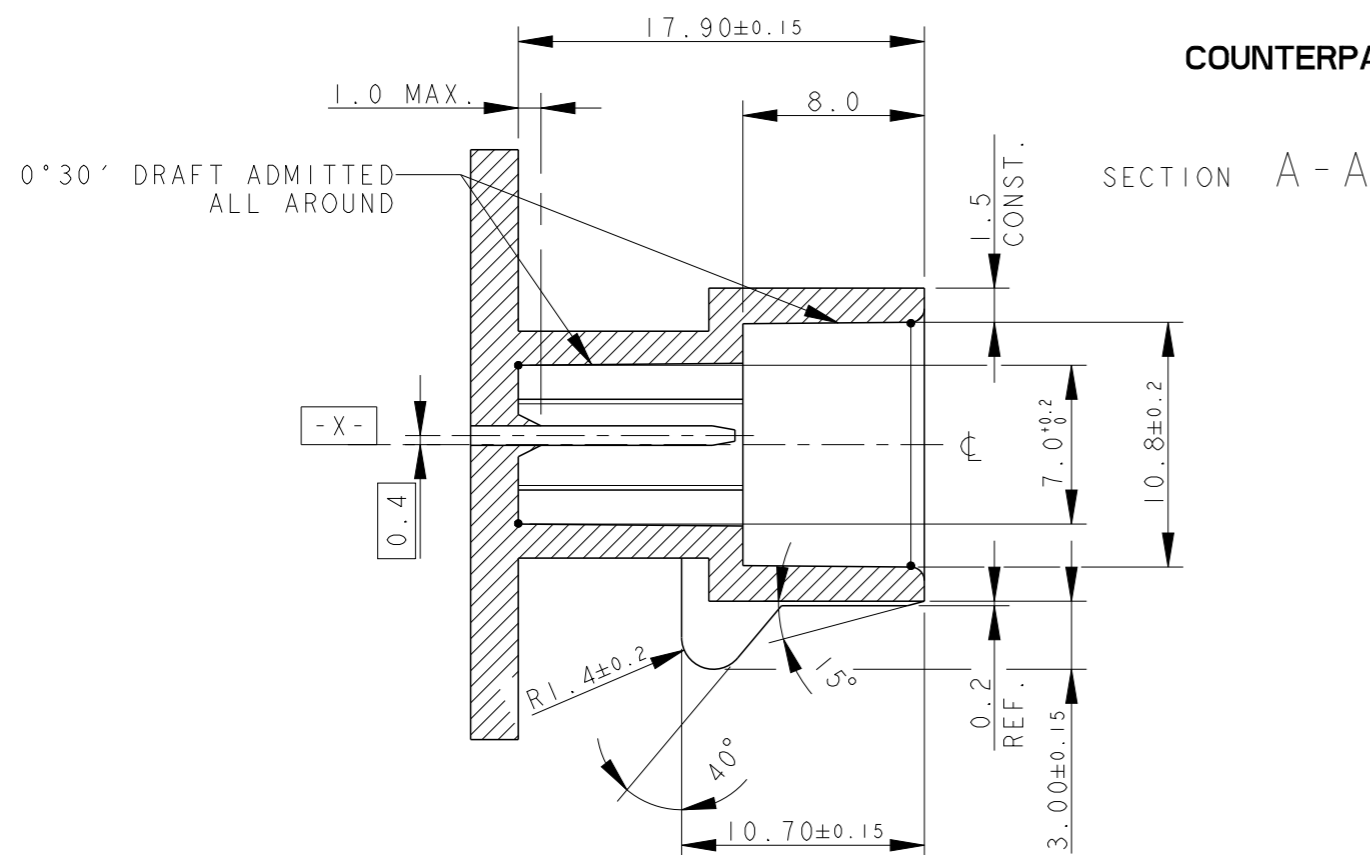


AMP SUPERSEAL 1.5 SRS. 6 POSITIONS PLUG ASS'Y

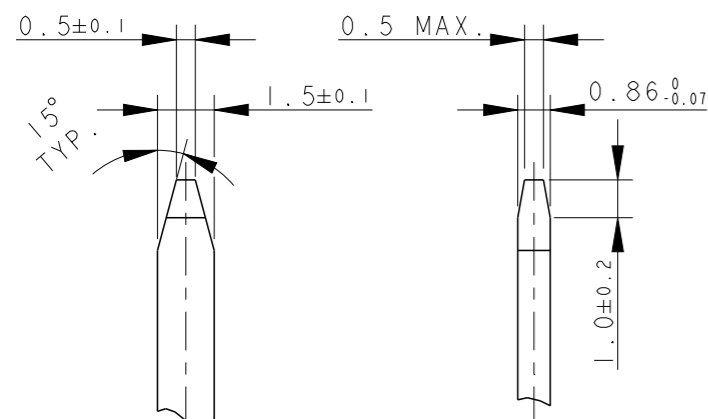
SIZE A3	CAGE CODE 00779	DRAWING NO C-1745058	RESTRICTED TO -
SCALE 3:1		SHEET 1 OF 2	REV D

P	LTR	DESCRIPTION	DATE	DWN	APVD
		SEE SHEET 1			

COUNTERPART DETAILS



TAB DETAILS



THIS DRAWING IS A CONTROLLED DOCUMENT.		DWN M. PALMA 22-06-2005	STE TE Connectivity	
		CHK R. MARTINI 22-06-2005		
DIMENSIONS: mm		APVD -	NAME -	
TOLERANCES UNLESS OTHERWISE SPECIFIED:		PRODUCT SPEC 108-20090	AMP SUPERSEAL 1.5 SRS. 6 POSITIONS PLUG ASS'Y	
0 PLC ± 1 PLC ±0.3 2 PLC ± 3 PLC ± 4 PLC ±		APPLICATION SPEC 412-20000	SIZE A300779	CAGE CODE C-1745058
ANGLES ±2°		WEIGHT -	RESTRICTED TO -	
FINISH		CUSTOMER DRAWING		
MATERIAL		SCALE 5:1 SHEET 2 OF 2 REV D		

MATERIALS: PA66-GF FOR HOUSING
TIN PLATED BRASS FOR TABS