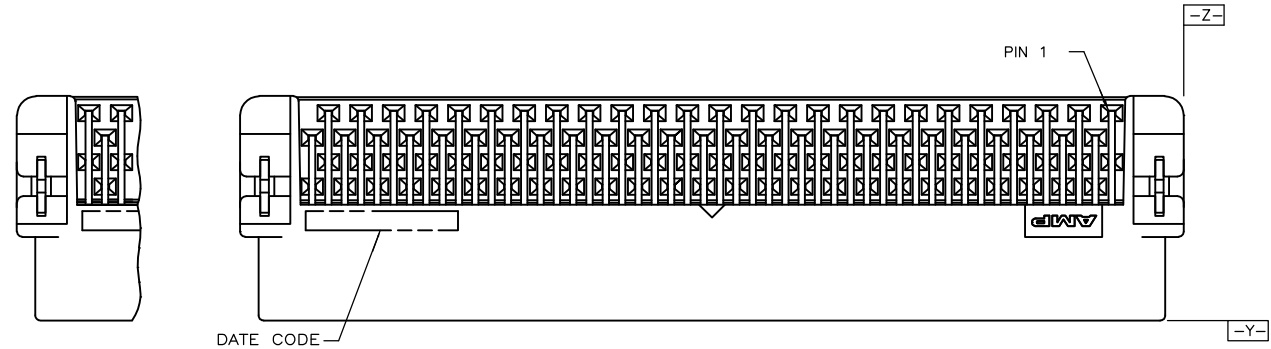


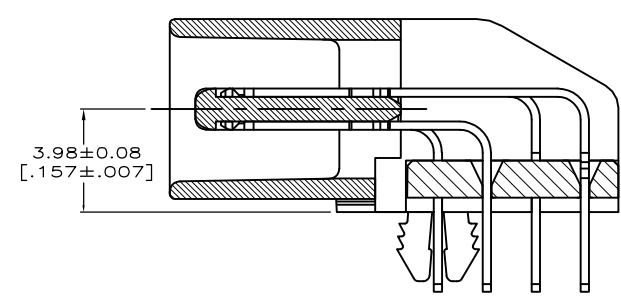
THIS DRAWING IS UNPUBLISHED. RELEASED FOR PUBLICATION  
 © COPYRIGHT - By - ALL RIGHTS RESERVED.

REVISIONS

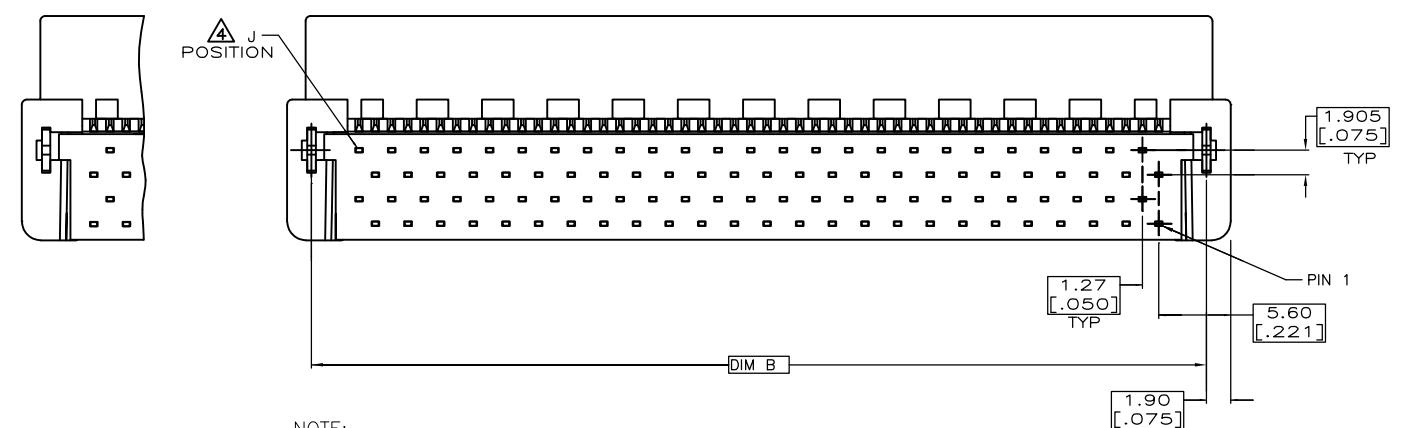
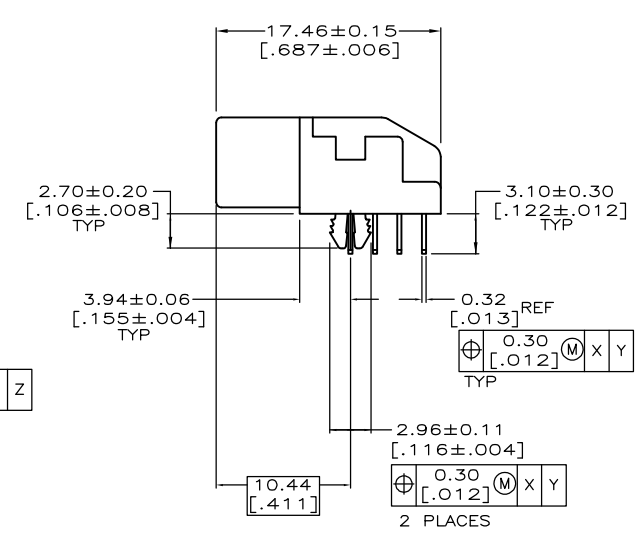
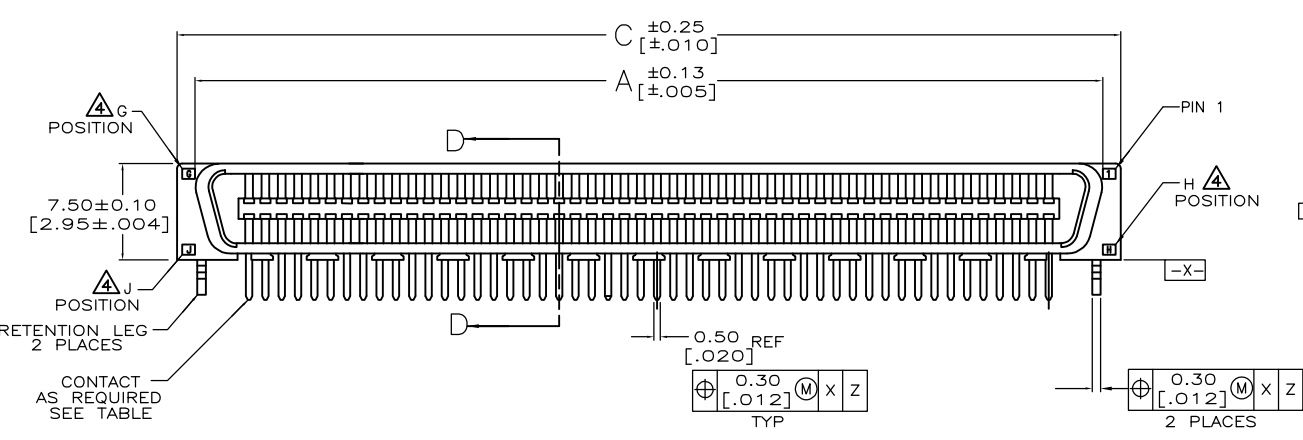
P	LTR	DESCRIPTION	DATE	DWN	APVD
G		REVISED PER ECO-16-009364	24JUN2016	RG	SH



FOR 50 AND 130 POSITIONS ONLY  
 FOR 40, 60, 68, 80, 100, 120, 140, 160, 180 AND 200 POSITIONS ONLY



SECTION D-D  
SCALE 8:1



NOTE:  
 1. MATERIAL:  
 HOUSING: LCP, UL 94V-0, BLACK COLOR.  
 CONTACTS: BRASS.  
 BOARDLOCKS: BRASS.  
 FINISH:  
 CONTACTS: (SEE TABLE) GOLD PLATED ON CONTACT AREA,  
 3.81µm [150µ"] MIN. MATTE-TIN ON SOLDERTAIL, OVER  
 1.27µm [50µ"] MIN. NICKEL UNDERPLATED.  
 BOARDLOCKS: 3.81µm [150µ"] MIN. TIN-Cu OVER  
 1.27µm [50µ"] MIN. UNDERPLATED.  
 3. WAVE SOLDER CAPABLE TO 265°C PER TEST SPEC.  
 109-202, CONDITION B.  
 G, J, H INDICATE NUMBER OF POSITION MARKED ON ASSEMBLY.  
 ALSO SEE TABLE.  
 GOLD FLASH OVER  
 0.762µm [30µ"] MIN. PALLADIUM-NICKEL PLATED.

E1	OBSOLETE	DIMENSIONS (mm)			SIZE	CAGE CODE	DRAWING NO	RESTRICTED TO
		C	B	A				
		136.93 [5.891]	133.13 [5.241]	134.07 [5.278]	100	200	101	
								GOLD FLASH
								5-1734099-8
								0.381µm [15µ"]
								3-1734099-8
								1-1734099-8
								GOLD FLASH
								5-1734099-6
								0.381µm [15µ"]
								3-1734099-6
								1-1734099-6
								GOLD FLASH
								5-1734099-4
								0.381µm [15µ"]
								3-1734099-4
								1-1734099-4
								GOLD FLASH
								5-1734099-2
								0.381µm [15µ"]
								3-1734099-2
								1-1734099-2
								GOLD FLASH
								5-1734099-0
								0.381µm [15µ"]
								3-1734099-0
								1-1734099-0
								GOLD FLASH
								5-1734099-8
								0.381µm [15µ"]
								2-1734099-8
								1734099-8
								GOLD FLASH
								4-1734099-7
								0.381µm [15µ"]
								2-1734099-7
								1734099-7
								GOLD FLASH
								4-1734099-6
								0.381µm [15µ"]
								2-1734099-6
								1734099-6
								GOLD FLASH
								4-1734099-5
								0.381µm [15µ"]
								2-1734099-5
								1734099-5
								GOLD FLASH
								4-1734099-4
								0.381µm [15µ"]
								2-1734099-4
								1734099-4

THIS DRAWING IS A CONTROLLED DOCUMENT.

DIMENSIONS:	TOLERANCES UNLESS OTHERWISE SPECIFIED:
mm	0 PLC ± -
	1 PLC ± 0.25
	2 PLC ± 0.2
	3 PLC ± -
	4 PLC ± -
	ANGLES ± -
MATERIAL	FINISH
SEE NOTE	SEE NOTE

DWN	F. YANG	31MAR2009
CHK	S. CHIEN	31MAR2009
APVD	W. KODAMA	31MAR2009
PRODUCT SPEC	108-57876	
APPLICATION SPEC	-	
WEIGHT	0	
CUSTOMER DRAWING		

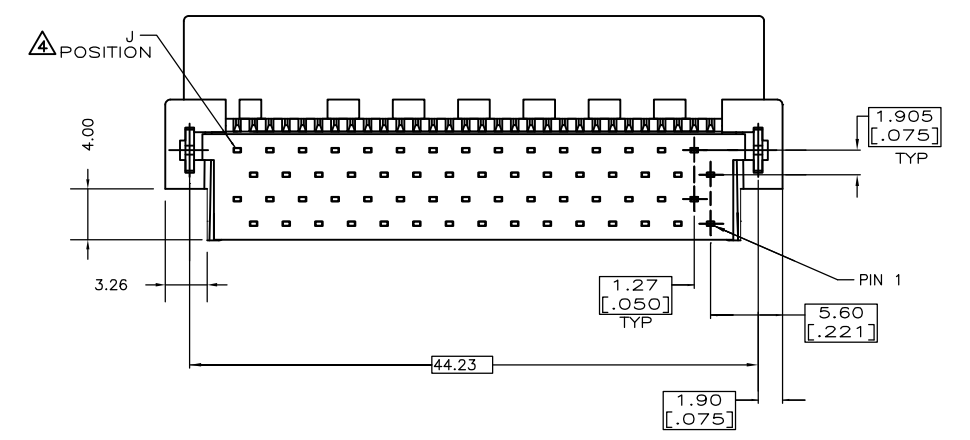
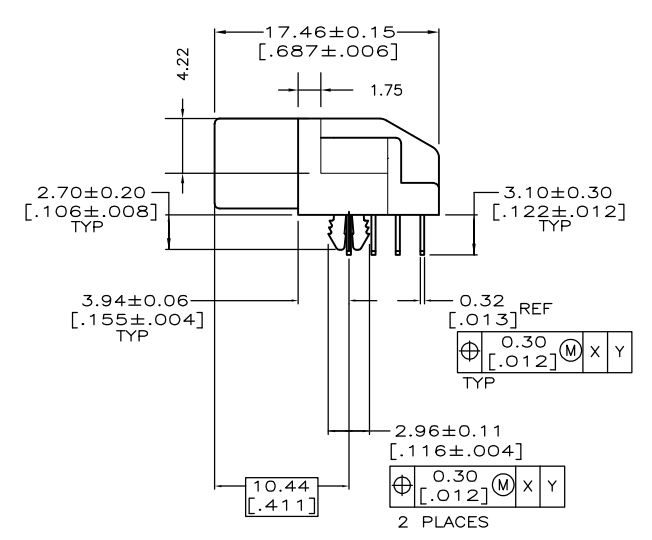
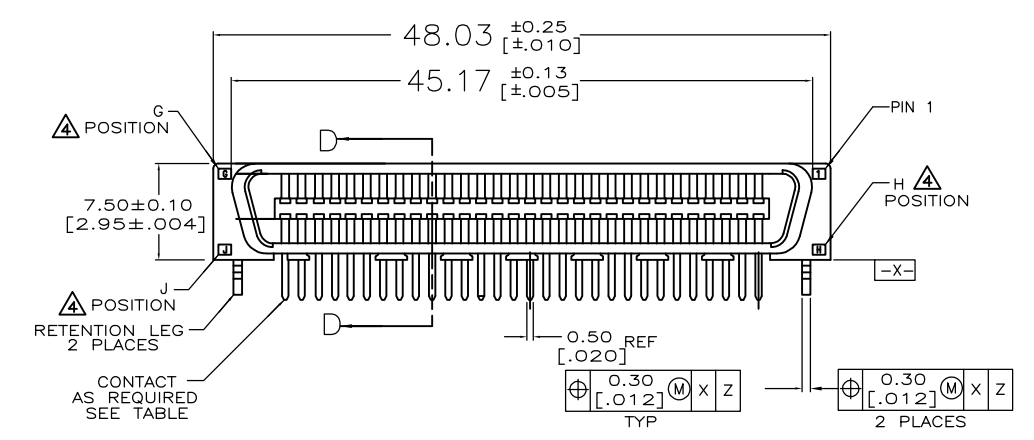
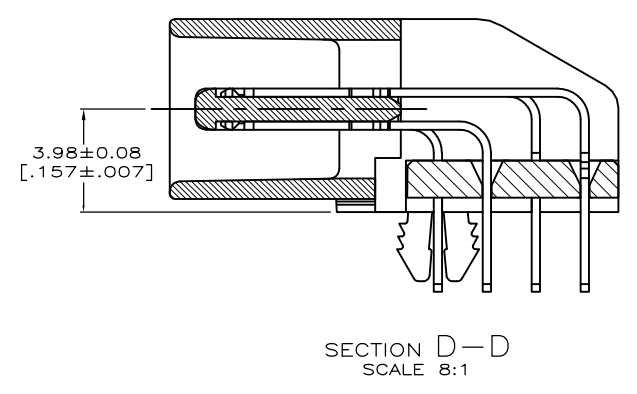
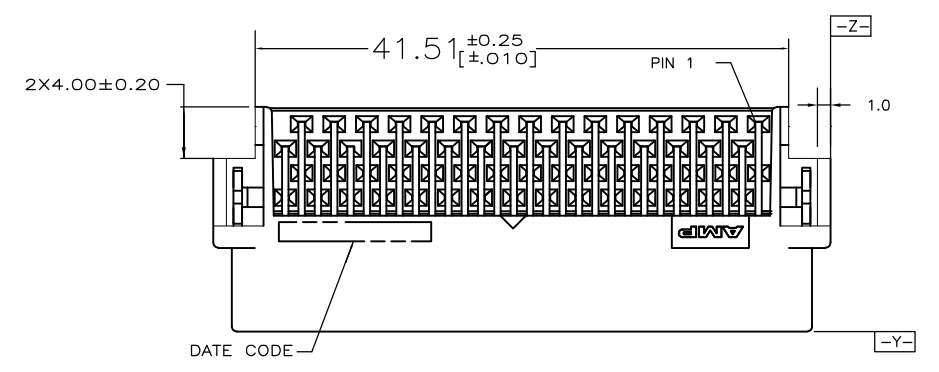
**STE** TE Connectivity

PLUG ASSEMBLY, R/A,  
BTB, CHAMP .050, SERIES I

SIZE	CAGE CODE	DRAWING NO	RESTRICTED TO
A3	00779	C-1734099	-
SCALE	SHEET	REV	
-	1 OF 5	G	

THIS DRAWING IS UNPUBLISHED. RELEASED FOR PUBLICATION  
 © COPYRIGHT - By - ALL RIGHTS RESERVED.

REVISIONS					
P	LTR	DESCRIPTION	DATE	DWN	APVD
-	-	SEE SHEET 1	-	-	-

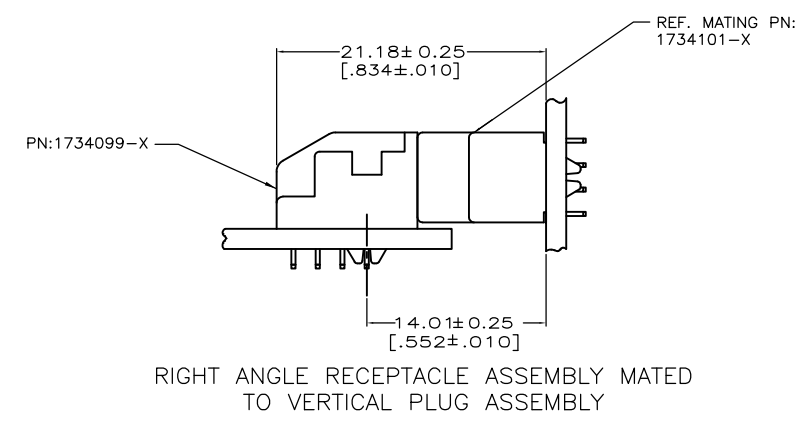
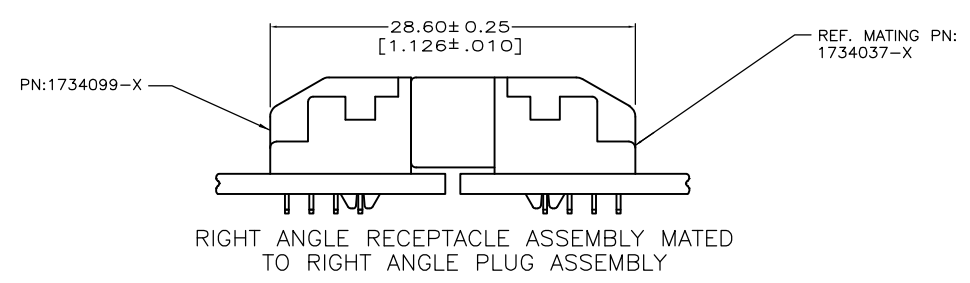
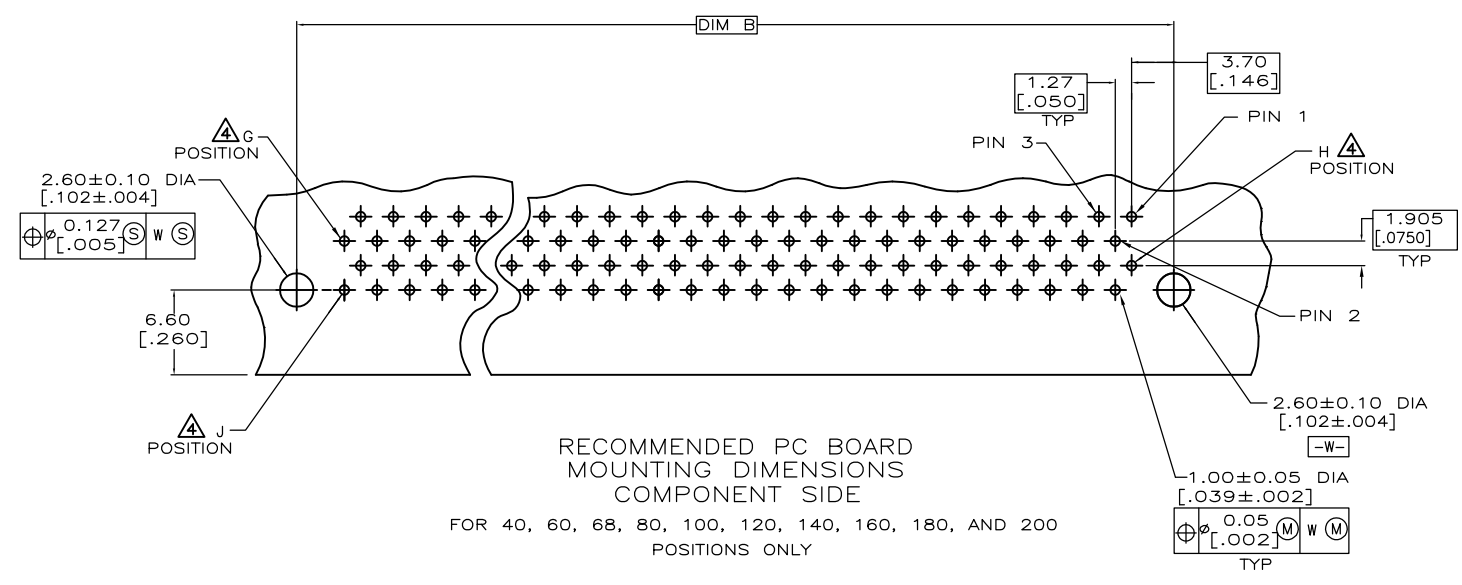
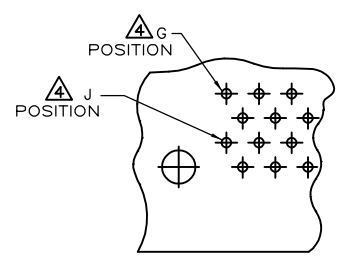


30	60	31	GOLD FLASH	9-1734099-6	
			0.381um[15u"]	8-1734099-6	60
			5	7-1734099-6	
G	J	A	H	GOLD PLATED	PART NUMBER POS.

THIS DRAWING IS A CONTROLLED DOCUMENT.		DWN F. YANG 31MAR2009	TE Connectivity		
DIMENSIONS: mm		CHK S. CHIEN 31MAR2009			
TOLERANCES UNLESS OTHERWISE SPECIFIED:		APVD W. KODAMA 31MAR2009	NAME PLUG ASSEMBLY, R/A, BTB, CHAMP .050, SERIES I		
0 PLC ± - 1 PLC ± 0.25 2 PLC ± 0.2 3 PLC ± - 4 PLC ± - ANGLES ± -		PRODUCT SPEC 108-57876	SIZE A3	CAGE CODE 00779	DRAWING NO C-1734099
MATERIAL SEE NOTE		FINISH SEE NOTE	WEIGHT -	RESTRICTED TO -	
CUSTOMER DRAWING			SCALE -	SHEET 2 OF 5	REV G

THIS DRAWING IS UNPUBLISHED. RELEASED FOR PUBLICATION  
 © COPYRIGHT - By - ALL RIGHTS RESERVED.

REVISIONS				
P	LTR	DESCRIPTION	DATE	APVD
-	-	SEE SHEET 1	-	-



THIS DRAWING IS A CONTROLLED DOCUMENT.		DWN	TE Connectivity PLUG ASSEMBLY, R/A, BTB, CHAMP .050, SERIES I					
DIMENSIONS: mm		CHK				NAME		
		APVD				PRODUCT SPEC		
TOLERANCES UNLESS OTHERWISE SPECIFIED: 0 PLC ± - 1 PLC ± - 2 PLC ± - 3 PLC ± - 4 PLC ± - ANGLES ± - MATERIAL FINISH		APPLICATION SPEC				RESTRICTED TO		
MATERIAL		WEIGHT	SIZE	CAGE CODE	DRAWING NO	RESTRICTED TO		
			A3	00779	C-1734099			
CUSTOMER DRAWING			SCALE	SHEET	REV			
			-	3 OF 5	G			

THIS DRAWING IS UNPUBLISHED.

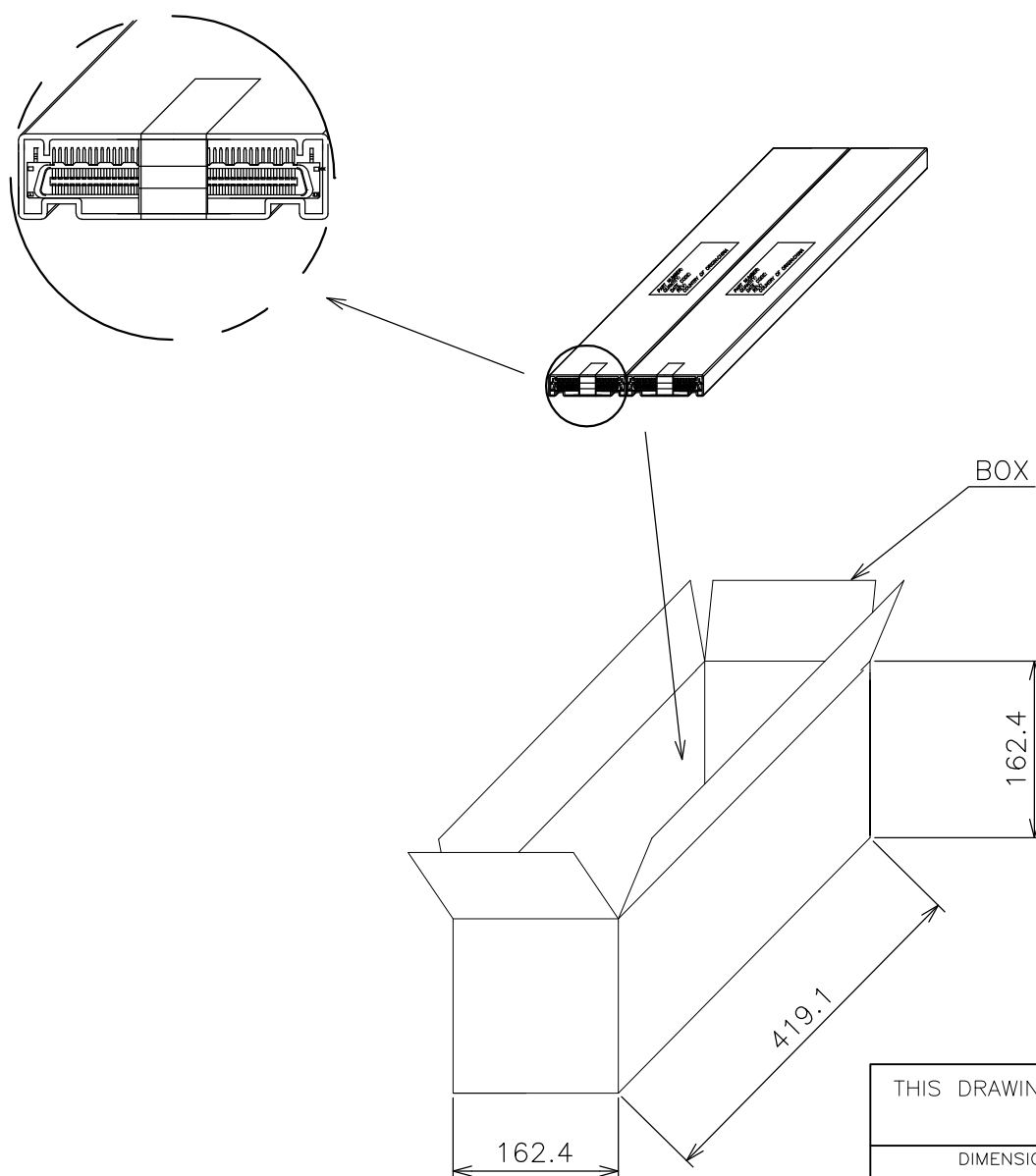
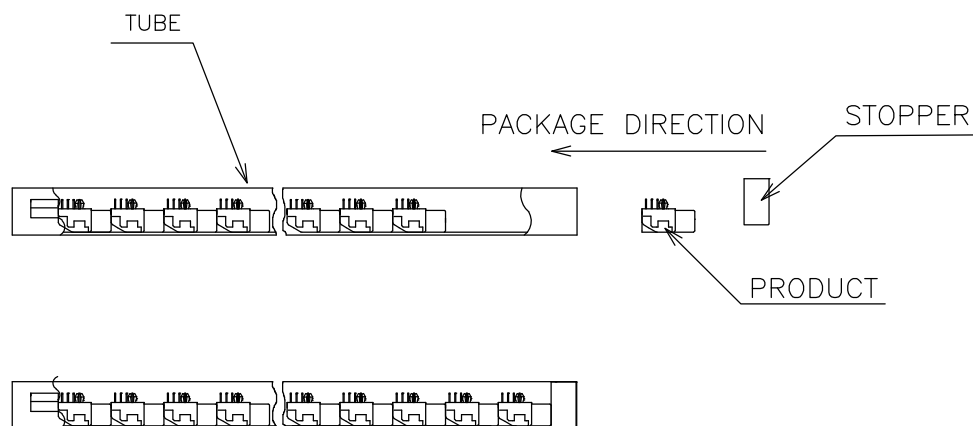
RELEASED FOR PUBLICATION

ALL RIGHTS RESERVED.

© COPYRIGHT - By -

REVISIONS

P	LTR	DESCRIPTION	DATE	DWN	APVD
-	-	SEE SHEET 1	-	-	-



100	21	16	336	2.60	3.44	5-1734099-0
						3-1734099-0
						1-1734099-0
80	21	16	336	2.15	3.00	4-1734099-8
						2-1734099-8
						1734099-8
POS.	Q'TY/ TUBE	TUBE/ BOX	Q'TY/ BOX	N/W (KG)	G/W (KG)	PART NUMBER

THIS DRAWING IS A CONTROLLED DOCUMENT.

DWN: -  
CHK: -  
APVD: -

PRODUCT SPEC: -  
APPLICATION SPEC: -  
WEIGHT: -

**STE** TE Connectivity

PLUG ASSEMBLY, R/A,  
BTB, CHAMP .050, SERIES I

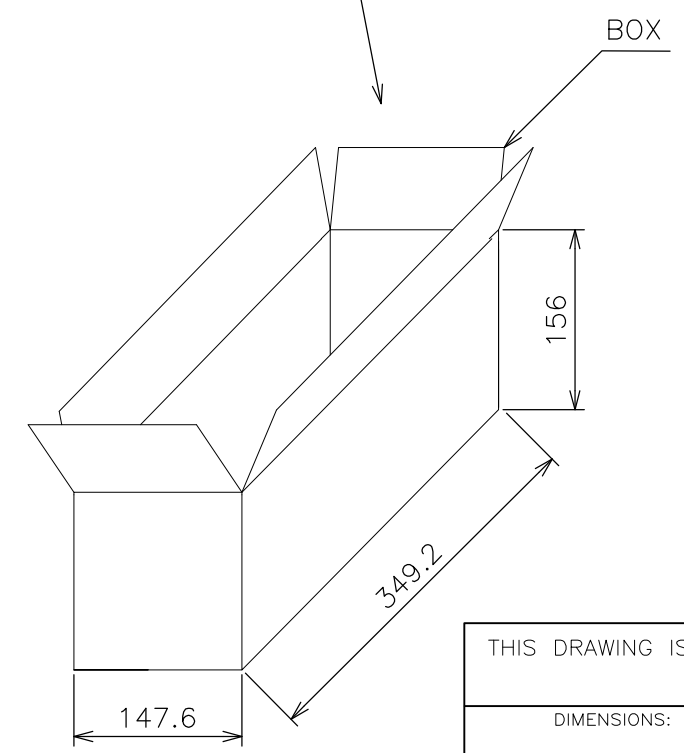
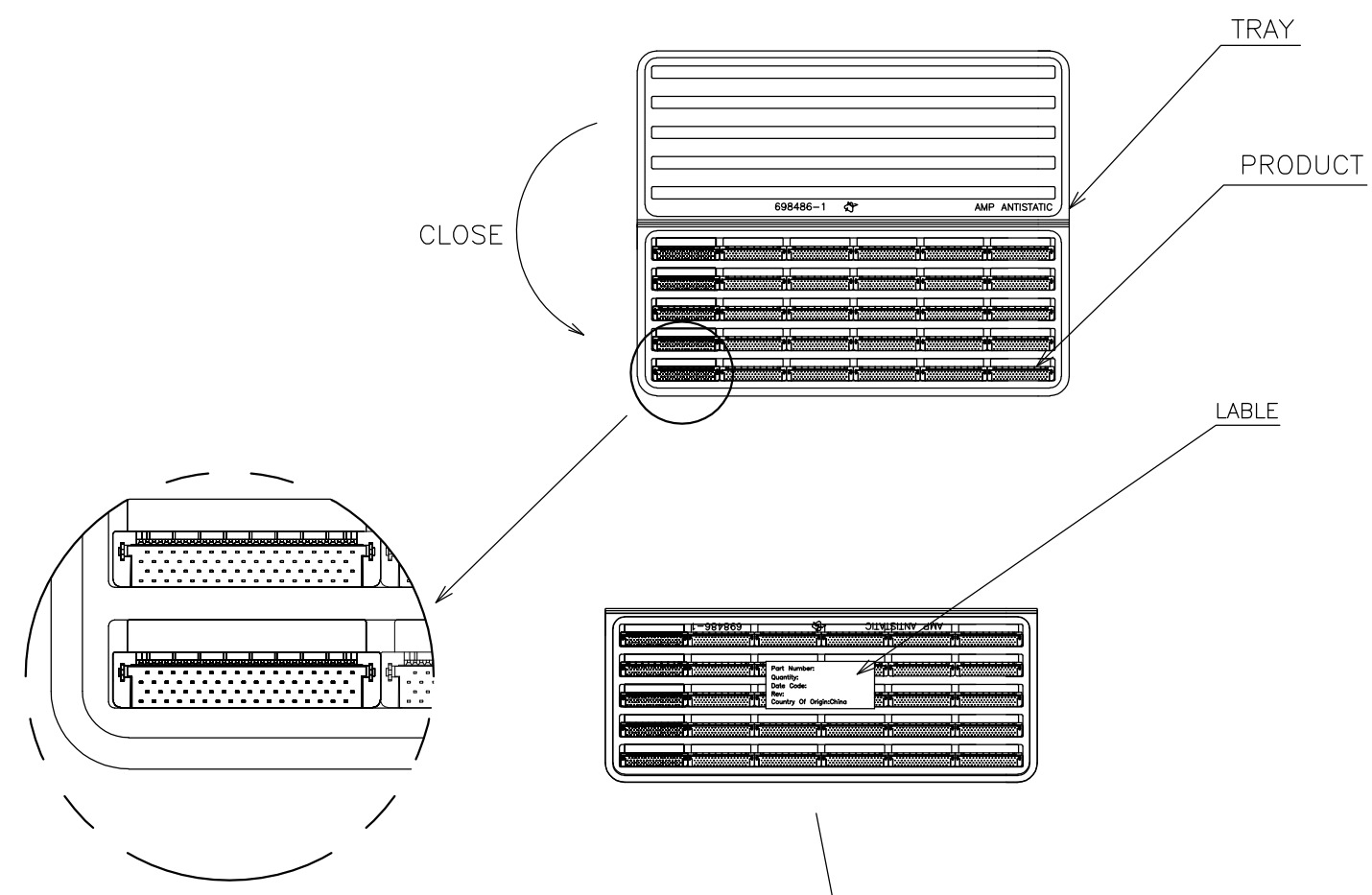
SIZE: A3 CAGE CODE: 00779 DRAWING NO: C-1734099 RESTRICTED TO: -

CUSTOMER DRAWING SCALE: - SHEET: 4 OF 5 REV: G

DIMENSIONS:	TOLERANCES UNLESS OTHERWISE SPECIFIED:
mm	
0 PLC	± -
1 PLC	± -
2 PLC	± -
3 PLC	± -
4 PLC	± -
ANGLES	± -
MATERIAL	FINISH

THIS DRAWING IS UNPUBLISHED. RELEASED FOR PUBLICATION  
 © COPYRIGHT - By - ALL RIGHTS RESERVED.

REVISIONS					
P	LTR	DESCRIPTION	DATE	DWN	APVD
-	-	SEE SHEET 1	-	-	-



POS.	Q'TY/ TRAY	TRAY/ BOX	Q'TY/ BOX	N/W (KG)	G/W (KG)	PART NUMBER
E1	200	10	10	1.40	2.35	5-1734099-8
						3-1734099-8
						1-1734099-8
E1	160	10	100	1.18	2.13	5-1734099-6
						3-1734099-6
						1-1734099-6
E1	140	15	10	1.59	2.46	5-1734099-4
						3-1734099-4
						1-1734099-4
E1	120	15	10	1.20	2.15	5-1734099-2
						3-1734099-2
						1-1734099-2
E1	68	30	10	1.69	2.64	4-1734099-7
						2-1734099-7
						1734099-7
E1	60	30	10	1.53	2.48	4-1734099-6
						2-1734099-6
						1734099-6
E1	50	35	10	1.58	2.56	4-1734099-5
						2-1734099-5
						1734099-5
E1	40	45	10	1.71	2.66	4-1734099-4
						2-1734099-4
						1734099-4

THIS DRAWING IS A CONTROLLED DOCUMENT.

DIMENSIONS: mm	TOLERANCES UNLESS OTHERWISE SPECIFIED: 0 PLC ± - 1 PLC ± - 2 PLC ± - 3 PLC ± - 4 PLC ± - ANGLES ± -	DWN - CHK - APVD - PRODUCT SPEC - APPLICATION SPEC - WEIGHT -	TE Connectivity NAME PLUG ASSEMBLY, R/A, BTB, CHAMP .050, SERIES I			
MATERIAL	FINISH	SIZE A3 CAGE CODE 00779 DRAWING NO C-1734099	RESTRICTED TO	SCALE -	SHEET 5 OF 5	REV G

CUSTOMER DRAWING