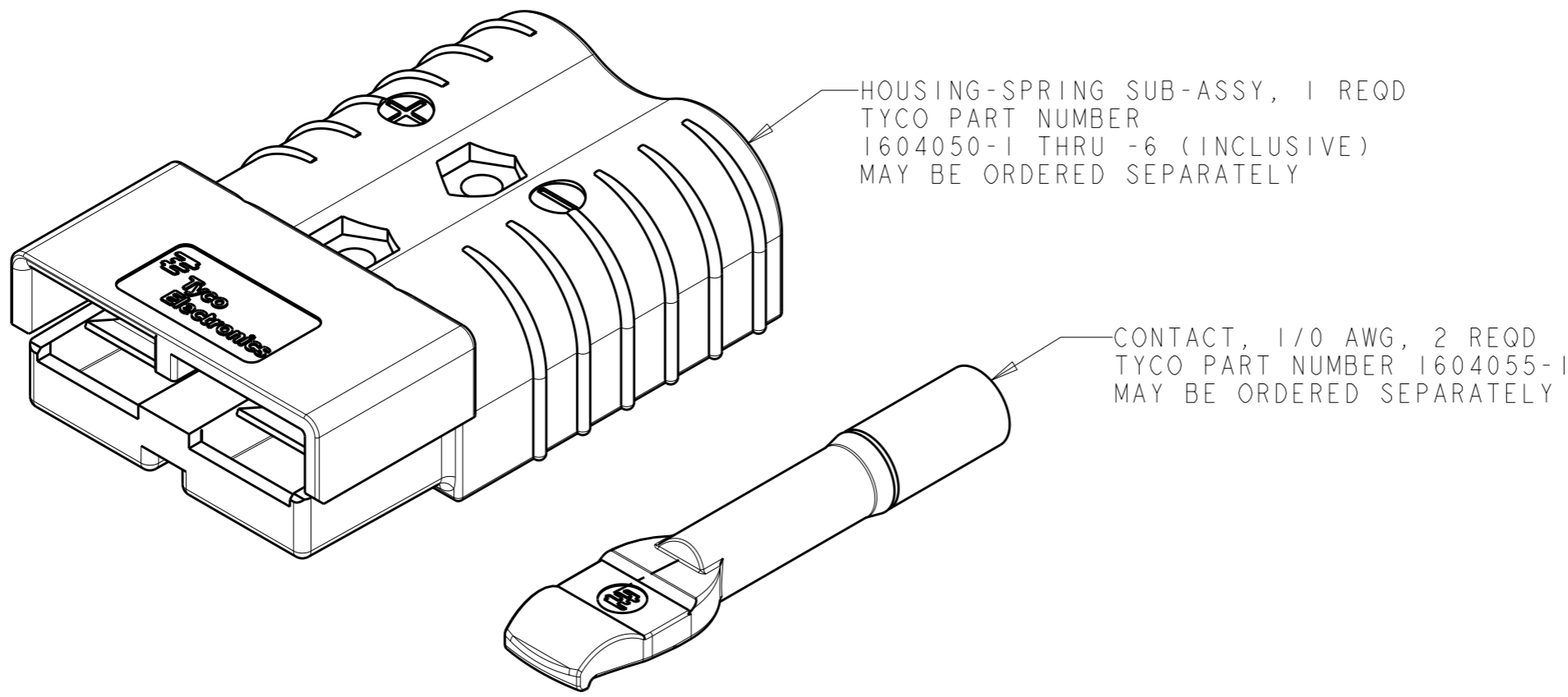


THIS DRAWING IS UNPUBLISHED. RELEASED FOR PUBLICATION 20
 © COPYRIGHT 20 BY TYCO ELECTRONICS CORPORATION. ALL RIGHTS RESERVED.

LOC	DIST	REVISIONS			
P	LTR	DESCRIPTION	DATE	DWN	APVD
FT	0	AI	REVISED PER ECR-10-010379	24MAY2010	HMR JR



GREEN	1604060-6
BLUE	1604060-5
GRAY	1604060-4
RED	1604060-3
ORANGE	1604060-2
YELLOW	1604060-1
HOUSING COLOR	PART NUMBER

THIS DRAWING IS A CONTROLLED DOCUMENT FOR TYCO ELECTRONICS CORPORATION. IT IS SUBJECT TO CHANGE AND THE CONTROLLING ENGINEERING ORGANIZATION SHOULD BE CONTACTED FOR THE LATEST REVISION.

DWN	10APR2002	Tyco Electronics Harrisburg, PA 17105-3608
CHK	Brent D. Yohn	
	W.H. BERNHART	
APVD	10APR2002	
	W.H. BERNHART	NAME
PRODUCT SPEC		CONNECTOR KIT, SERIES 350 AMP, POWER CONNECTOR, 1/0 AWG WIRE
APPLICATION SPEC		-
WEIGHT		-
CUSTOMER DRAWING		RESTRICTED TO

SIZE	CAGE CODE	DRAWING NO	REV
A3	00779	C-1604060	AI

SCALE: SHEET: OF: REV: AI

OBsolete
 NOT the LATEST REVISION