

**MATERIAL :**

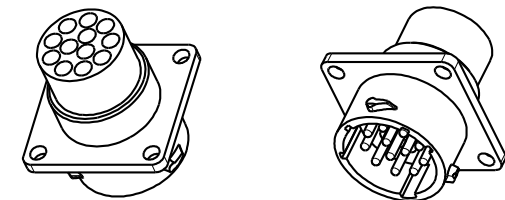
Shell: Polyamid UL94 V-0  
O-seal: Sealing IP68/69K : viton

**PERFORMANCE CHARACTERISTICS :**

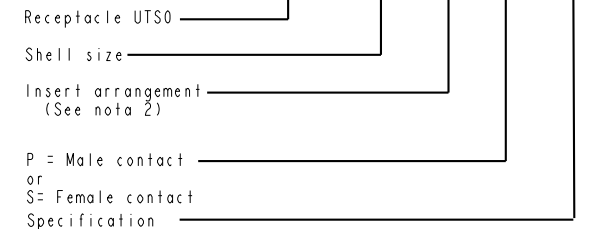
Operating temperature: -40°C up to 105°C  
Insulation resistance: 5000 MΩ min  
Test potential: 2000 Vrms for #16 layout  
Corrosion salt spray: 500 hours  
Durability: 250 matings and unmatings  
Sealing in mated conditions:  
- IP68 1 bar during 1 week : immersion under 10 m of water. (IEC 60529)  
- IP69K : exposure to high pressure water of cleaning equipment (DIN 40050)

**NOTES :**

-1-Contact to be ordered separately : refer to TRIM TRIO catalog  
-2-Insert arrangements: refer to :  
UTO-CONTACT-L-C01 (Male insulator)  
UTO-CONTACT-L-C02 (Female insulator)



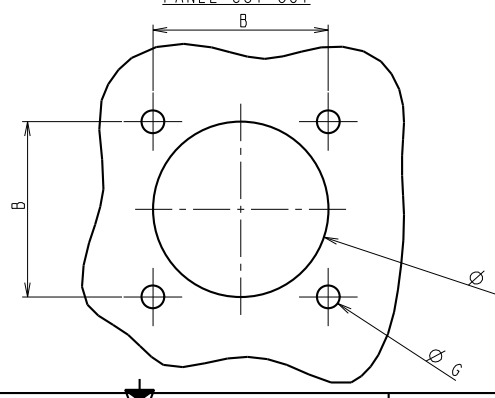
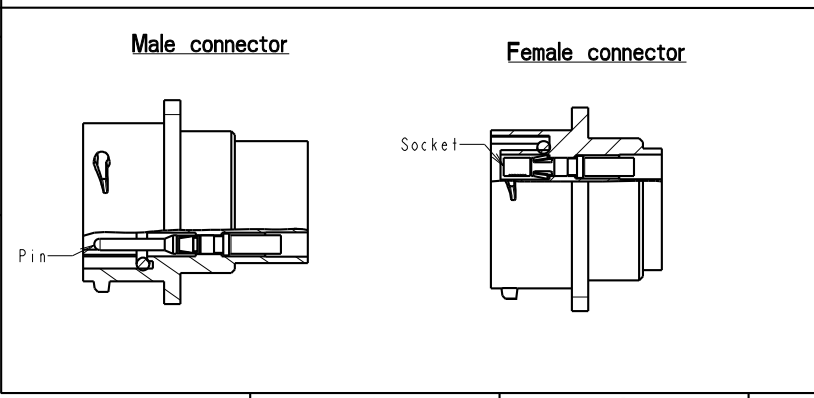
UTS0 14 12 P XX



SHELL SIZE	ARRANGEMENT	THREAD	ØH±0.15	C MAX.		D ±0.2	E±0.15	A±0.25	B±0.25	ØG±0.1	ØP±0.1	K±0.2	ØF±0.2	ØJ MAX
				MALE	FEMALE									
10	4	9/16 24 UNEF CLASS 2A	15.00	31.75	24.2	11.35	2.30	23.80	18.30	3.2	15.1	21.2	10.9	14.4
12	8	11/16 24 UNEF CLASS 2A	19.00	31.75	24.2	11.35	2.30	26.20	20.6	3.2	18.2	21.2	13.8	17.6
14	12	13/16 20 UNEF CLASS 2A	22.20	31.75	24.2	11.35	2.30	28.60	23.00	3.2	21.4	21.2	17	20.8
18	23	1 1/16 18 UNEF CLASS 2A	28.50	31.75	24.2	11.35	2.50	33.30	27.00	3.2	27.8	21.2	22.4	27.1

Dimension Ø P for front panel mounting  
PANEL CUT OUT

CUSTOMER DRAWING



C	17/02/09	Add female version		--
ISS	DATE	Latest modification - by:	RAGAINÉ M.	MOD N°
Designed by: ROUILLARD Ch. Date: 07/11/08		Type of drawing: CUSTOMER		
Checked by: SEE DISTRIBUTION LIST		Date: SEE DISTRIBUTION LIST		
TITLE		RECEPTACLE TYPE 0 UTS CONNECTOR		
Scale	General angular	MATERIAL --		
1/1	Tolerances: ± 1°	--		
General linear	Tolerances: ±0.1	General machining	Ra 3.2	Geometrical Tolerances See NF E 04-552
		surface texture	✓	
PROJECT		UTS1		
SOURIAU		This document is the property of SOURIAU		
Route Nationale 23		It must not be reproduced or communicated without permission		
72470 CHAMPAGNE				
Tel. (33)02.43.54.35.00				
FORMAT	SOURIAU DRG N°		SHEET	
A2	C063-UTS1-A		1 / 1	